

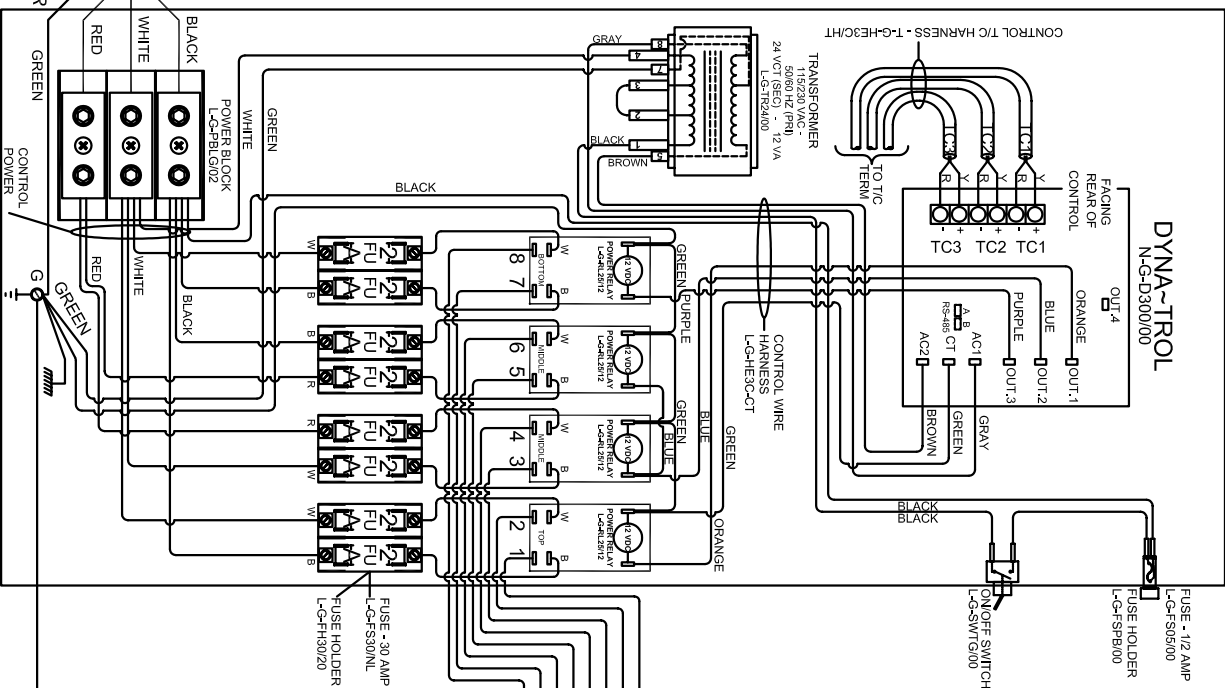
NOTES:

Control Wire:
16 AWG, 105°C
Power Wire:
10 AWG, 150°C

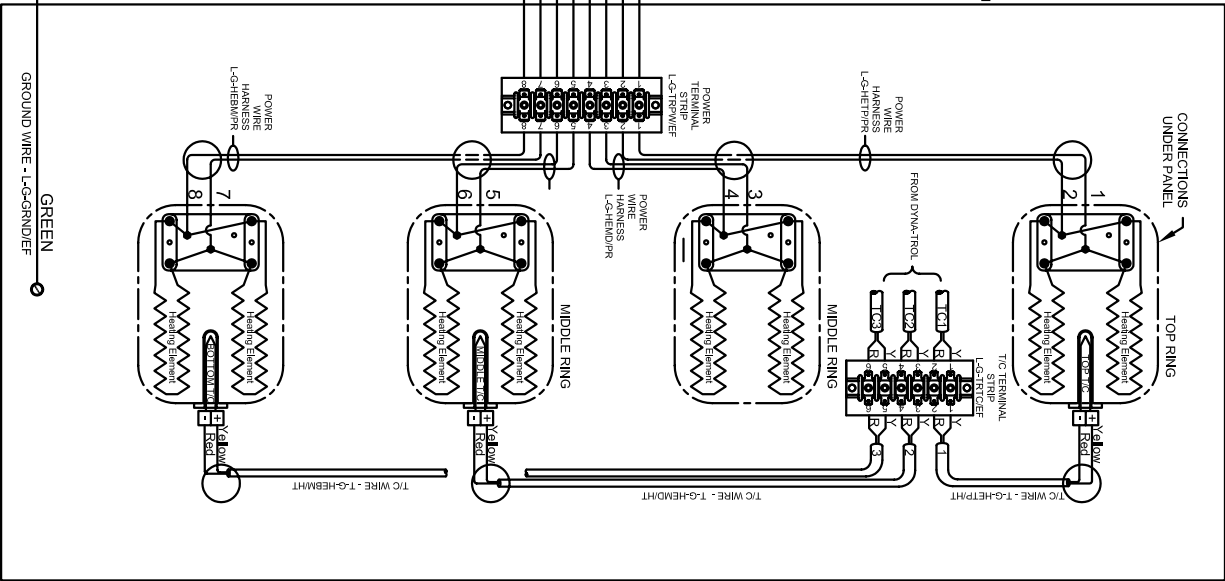
Industrial & commercial applications may require the installation of a LOCKOUT/TAGOUT device to prevent the Kihn from operating during maintenance.

This Kihn is recommended to be wired & connected to an approved U. L. & NEC configured receptacle controlled with a disconnect switch and properly fused according to the KW load load specification listed on the Kihn Nameplate. L&L Kihn Mfg., Inc. also recommends fuses rather than circuit breakers to prevent nuisance tripping.

LOOKING INSIDE CONTROL PANEL



LOOKING AT OUTSIDE OF ELEMENT COVER PANEL



Model eQ2836-3

VOLTAGE	208 / 3 / 50-60		
WATTS	19,000		
FULL LOAD AMPS	L1	L2	L3
	59.4	59.4	139.6
POWER SUPPLY	FUSE	WIRE	
	80A	3 AWG	
ELEMENTS (E-Q-2836/20)	QTY	OHMS	
	8	20.0	

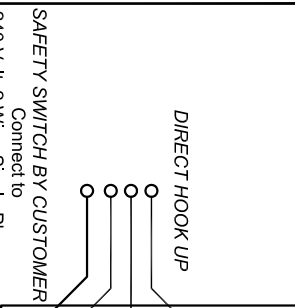
Model eQ2836-3

VOLTAGE	220 / 3 / 50-60		
WATTS	19,000		
FULL LOAD AMPS	L1	L2	L3
	56.1	56.1	137.4
POWER SUPPLY	FUSE	WIRE	
	80A	3 AWG	
ELEMENTS (E-Q-2836/40)	QTY	OHMS	
	8	XX.X	

Model eQ2836-3

VOLTAGE	240 / 1 / 50-60		
WATTS	19,000		
FULL LOAD AMPS	L1	L2	L3
	51.5	51.5	134.3
POWER SUPPLY	FUSE	WIRE	
	70A	4 AWG	
ELEMENTS (E-Q-2836/30)	QTY	OHMS	
	8	23.3	

SAFETY SWITCH BY CUSTOMER
Connect to
240 Volt, 2 Wire, Single Phase - or
220 Volt, 2 Wire, Single Phase - or
208 Volt, 2 Wire, Single Phase
50 or 60 Cycles.



DRAWING NO. **K354-152**

SHEET OF **1/1** REV **0**

LJKINS
LJKINS.com
808 SMARTTOWN RD
SWINGERSBORO, NJ 08885
PHONE: (908) 294-0077
FAX: (908) 294-0070

TITLE **eQUAD-PRO SERIES eQ2836-3 KILN 3 PHASE WIRING DIAGRAM**

SCALE **1 = 8**

DATE **1/15/10**

DRAWN BY **BMW**

FILE NAME **\K354-152.dwg**

MADE FROM **\KSH100105.dwg**

REV #	DATE	DESCRIPTION
0		REVISIONS AND COMMENTS
1		REVISIONS AND COMMENTS