

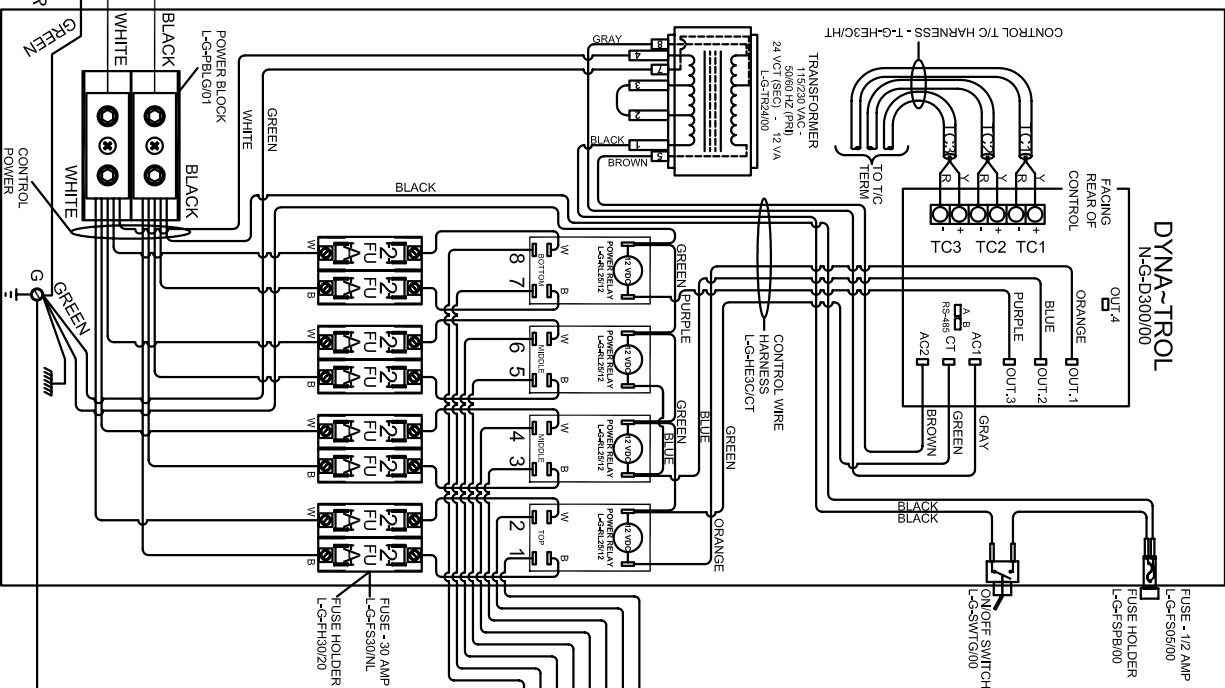
NOTES:

Control Wire:
16 AWG, 105°C
Power Wire:
10 AWG, 150°C

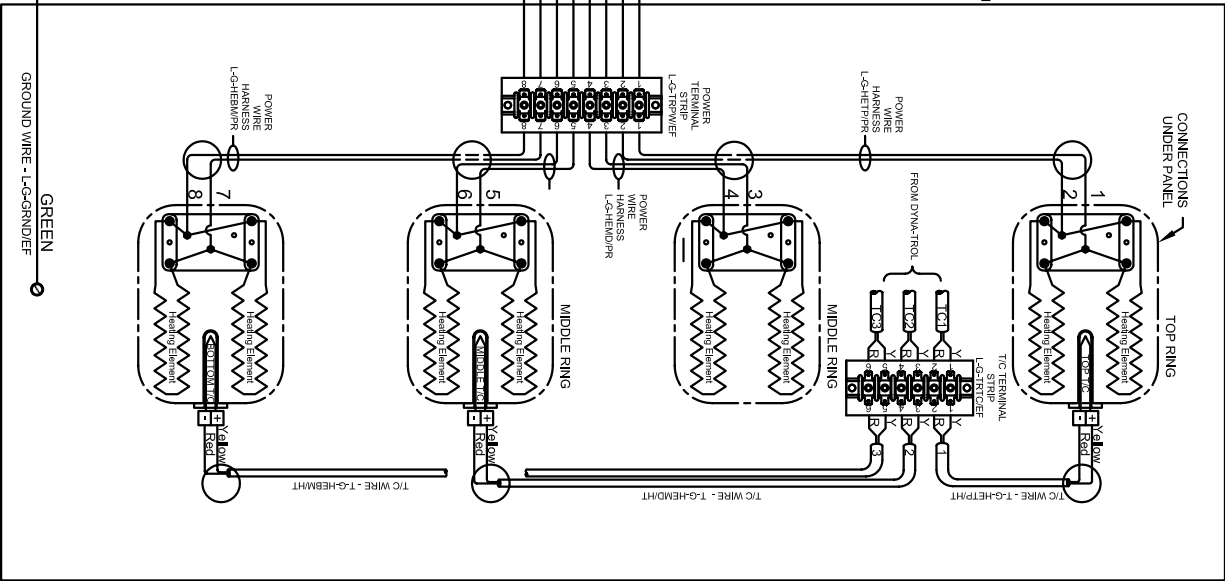
Industrial & commercial applications may require the installation of a LOCKOUT/TAGOUT device to prevent the Kiln from operating during maintenance.

This Kiln is recommended to be wired & connected to an approved U. L. & NEC configured receptacle controlled with a disconnect switch and properly fused according to the KW load load specification listed on the Kin Nameplate. L&L Kiln Mfg., Inc. also recommends fuses rather than circuit breakers to prevent nuisance tripping.

LOOKING INSIDE CONTROL PANEL



LOOKING AT OUTSIDE OF ELEMENT COVER PANEL



Model eQ2836-3

VOLTAGE	208 / 1 / 50-60
WATTS	19,000
FULL LOAD AMPS	L1 L2 L3 91.3 91.3
POWER SUPPLY	FUSE WIRE 125A 1/0 AWG
ELEMENTS (E-Q-2836/20)	QTY OHMS 8 20.0

Model eQ2836X-3

VOLTAGE	208 / 1 / 50-60
WATTS	16,640
FULL LOAD AMPS	L1 L2 L3 80.0 80.0
POWER SUPPLY	FUSE WIRE 100A 1 AWG
ELEMENTS (E-Q-283X/20)	QTY OHMS 8 17.5

Model eQ2836-3

VOLTAGE	220 / 1 / 50-60
WATTS	19,000
FULL LOAD AMPS	L1 L2 L3 86.4 86.4
POWER SUPPLY	FUSE WIRE 125A 1/0 AWG
ELEMENTS (E-Q-2836/40)	QTY OHMS 8 XX.X

Model eQ2836-3

VOLTAGE	240 / 1 / 50-60
WATTS	19,000
FULL LOAD AMPS	L1 L2 L3 79.2 79.2
POWER SUPPLY	FUSE WIRE 100A 1 AWG
ELEMENTS (E-Q-2836/30)	QTY OHMS 8 23.3

SAFETY SWITCH BY CUSTOMER
Connect to
240 Volt, 2 Wire, Single Phase - or
220 Volt, 2 Wire, Single Phase - or
208 Volt, 2 Wire, Single Phase
50 or 60 Cycles.

DRAWING NO. **K354-151**

SHEET OF **1/1** REV **0**

LJKINS
LJKINS.com
898 SMARTTOWN RD
SWINGERSBORO, NJ 08885
PHONE: (856) 294-0077

TITLE **eQUAD-PRO SERIES eQ2836-3 KILN
1 PHASE WIRING DIAGRAM**

SCALE **1 = 8**

DATE **1/13/10**

DRAWN BY **BMM**

FILE NAME **\K354--151.dwg**

MADE FROM **\KSH100104.dwg**

REVISION #	DATE	DESCRIPTION