

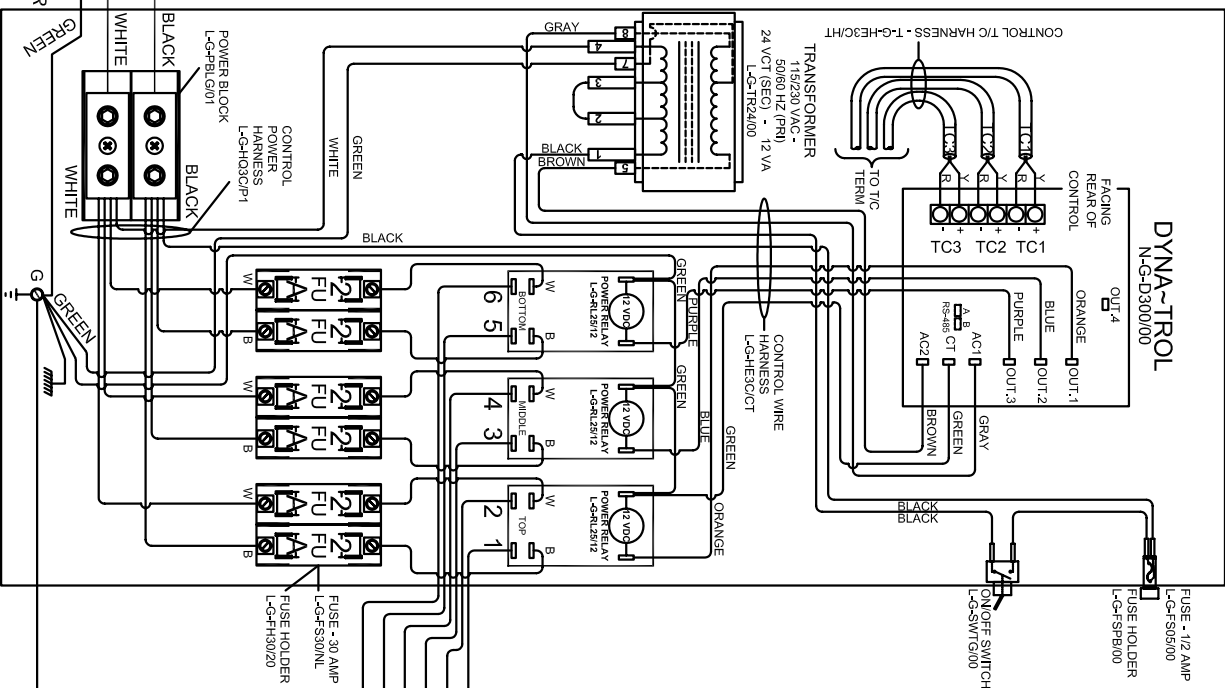
NOTES:

Control Wire:
16 AWG, 105°C
Power Wire:
10 AWG, 150°C

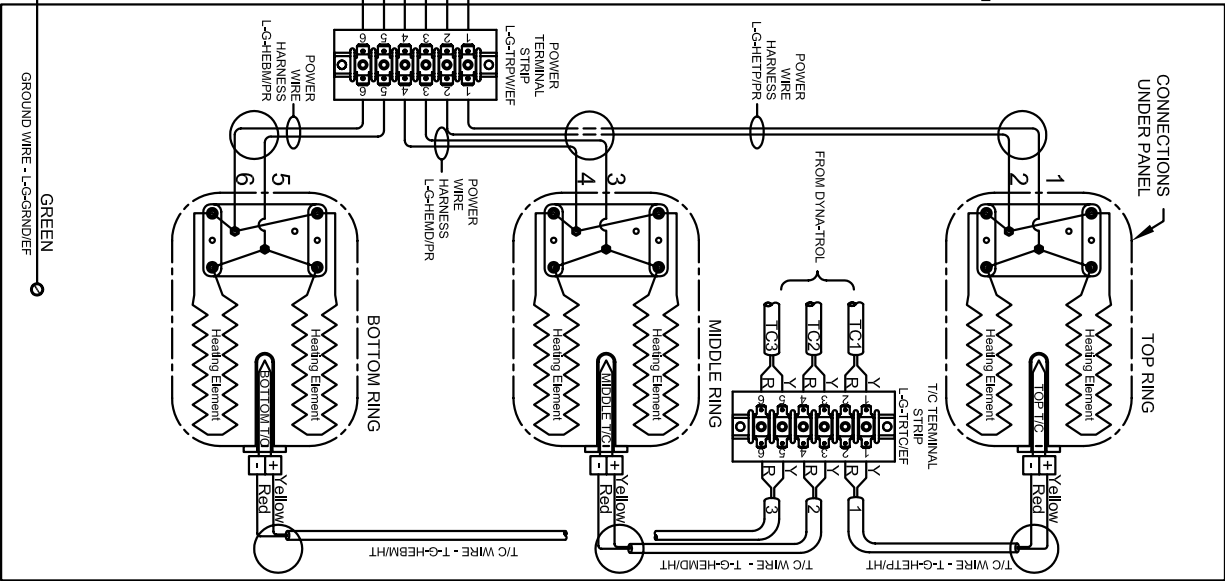
Industrial & commercial applications may require the installation of a LOCKOUT/TAGOUT device to prevent the Kihn from operating during maintenance.

This Kihn is recommended to be wired & connected to an approved U. L. & NEC configured receptacle controlled with a disconnect switch and properly fused according to the KW load on the Kihn Nameplate. L&L Kihn Mfg., Inc. also recommends fuses rather than circuit breakers to prevent nuisance tripping.

LOOKING INSIDE CONTROL PANEL



LOOKING AT OUTSIDE OF ELEMENT COVER PANEL



Model eQ2327-3-208

VOLTAGE	208 / 1 / 50-60
WATTS	11,648
FULL LOAD AMPS	L1 56.0 L2 56.0 L3
POWER SUPPLY	FUSE WIRE 70A 4 AWG
ELEMENTS	QTY OHMS (E-0-2327/20) 6 21.5

Model eQ2327-3-220

VOLTAGE	220 / 1 / 50-60
WATTS	12,320
FULL LOAD AMPS	L1 56.0 L2 56.0 L3
POWER SUPPLY	FUSE WIRE 70A 4 AWG
ELEMENTS	QTY OHMS (E-0-2327/40) 6 22.7

Model eQ2327-3-240

VOLTAGE	240 / 1 / 50-60
WATTS	13,440
FULL LOAD AMPS	L1 56.0 L2 56.0 L3
POWER SUPPLY	FUSE WIRE 70A 4 AWG
ELEMENTS	QTY OHMS (E-0-2327/30) 6 24.8

SAFETY SWITCH BY CUSTOMER
Connect to
240 Volt, 2 Wire, Single Phase - or
220 Volt, 2 Wire, Single Phase - or
208 Volt, 2 Wire, Single Phase
50 or 60 Cycles.

DRAWING NO. **K346-151** SHEET OF **1/1** REV **0**

LJKINS PHONE: (866) 294-0077 FAX: (866) 294-0070

TITLE **MODEL eQ2327-3 eQUAD-PRO KIHN 1 PHASE WIRING DIAGRAM**

SCALE **1 = 8** DATE **4/28/11** DRAWN BY **BMM**

FILE NAME **\K346-151.dwg** MADE FROM **\K352-151.dwg**

REV #	DATE	DESCRIPTION
0		INITIAL ISSUE
1		REVISION
2		REVISION
3		REVISION