

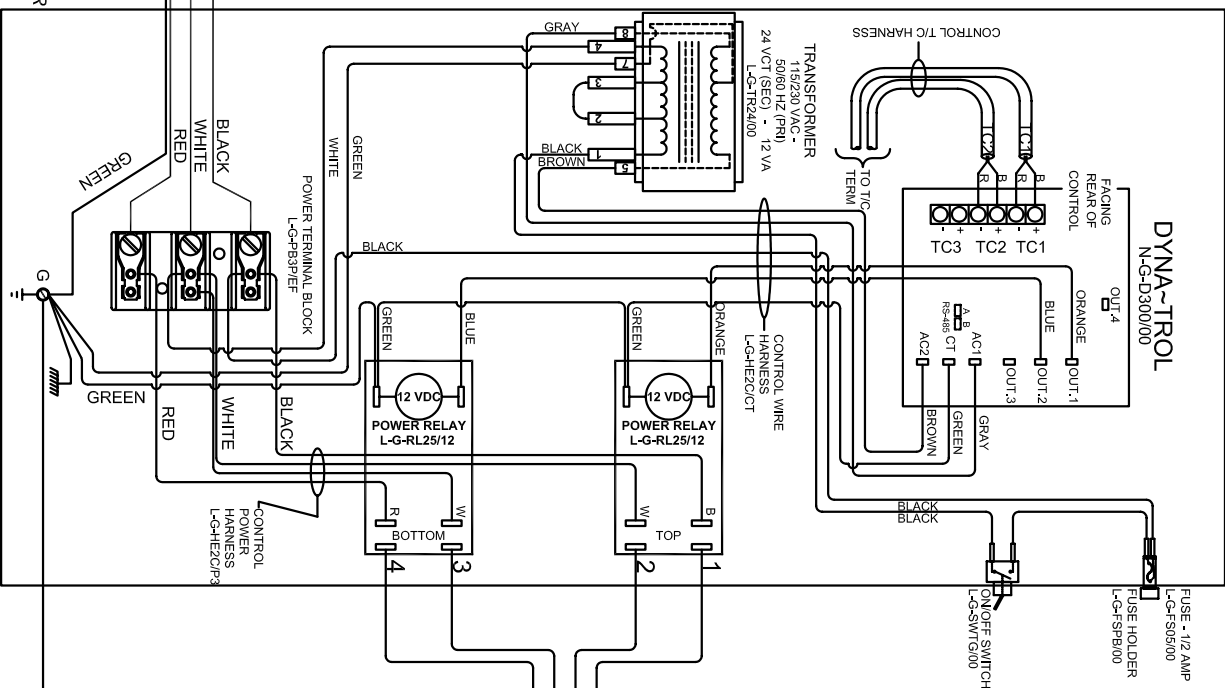
**NOTES:**

Control Wire:  
16 AWG, 105°C  
Power Wire:  
10 AWG, 150°C

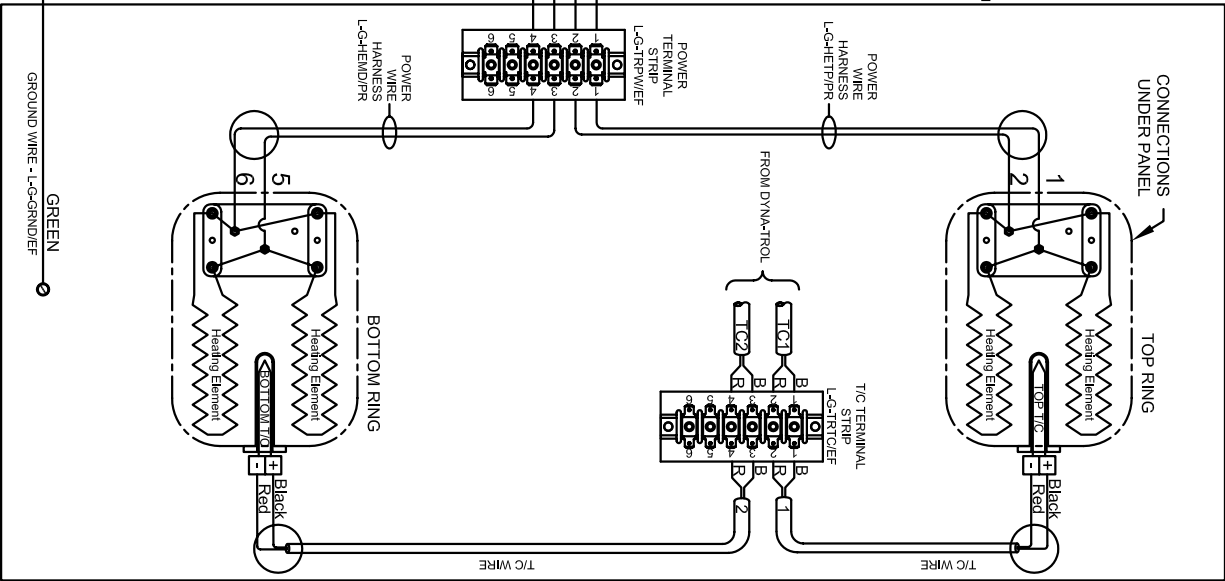
Industrial & commercial applications may require the installation of a LOCKOUT/TAGOUT device to prevent the Kilm from operating during maintenance.

This Kilm is recommended to be wired & connected to an approved U. L. & NEC configured receptacle controlled with a disconnect switch and properly fused according to the KW load on the Kilm Nameplate. L&L Kilm Mfg., Inc., also recommends fuses rather than circuit breakers to prevent nuisance tripping.

LOOKING INSIDE CONTROL PANEL



LOOKING AT OUTSIDE OF ELEMENT COVER PANEL



**Model**  
**e23S-JH-208-3P**

VOLTAGE	208 / 3 / 50-60
WATTS	9,984
FULL LOAD AMPS	L1   L2   L3 24.0   38.0   24.0
POWER SUPPLY	FUSE   WIRE 50A   6 AWG
ELEMENTS (E-E-23SK/21)	QTY   OHMS 4   16.7

**Model**  
**e23S-JH-220-3P**

VOLTAGE	220 / 3 / 50-60
WATTS	10,500
FULL LOAD AMPS	L1   L2   L3 23.9   37.7   23.9
POWER SUPPLY	FUSE   WIRE 50A   6 AWG
ELEMENTS (E-E-23SK/41)	QTY   OHMS 4   17.8

**Model**  
**e23S-JH-240-3P**

VOLTAGE	240 / 3 / 50-60
WATTS	11,500
FULL LOAD AMPS	L1   L2   L3 24.0   37.9   24.0
POWER SUPPLY	FUSE   WIRE 50A   6 AWG
ELEMENTS (E-E-23SK/31)	QTY   OHMS 4   19.3

SAFETY SWITCH BY CUSTOMER  
Connect to  
240 Volt, 2 Wire, Single Phase - or  
220 Volt, 2 Wire, Single Phase - or  
208 Volt, 2 Wire, Single Phase  
50 or 60 Cycles.



DRAWING NO. **K284-162**

SHEET OF **1/1** REV **0**

**LJKINS**  
hotkins.com

888 SMARTPOINT RD  
SWIDESBORO, NJ 08885  
PHONE: (866) 294-0077  
FAX: (866) 294-0070

TITLE  
**MODEL e23S-JH EASY-FIRE KILN  
3 PHASE WIRING DIAGRAM**

SCALE **1 = 8**

DATE **5/18/11**

DRAWN BY **BWL**

FILE NAME **\K284-162.dwg**

REV #	DATE	DESCRIPTION

MADE FROM **\K284-161.dwg**