

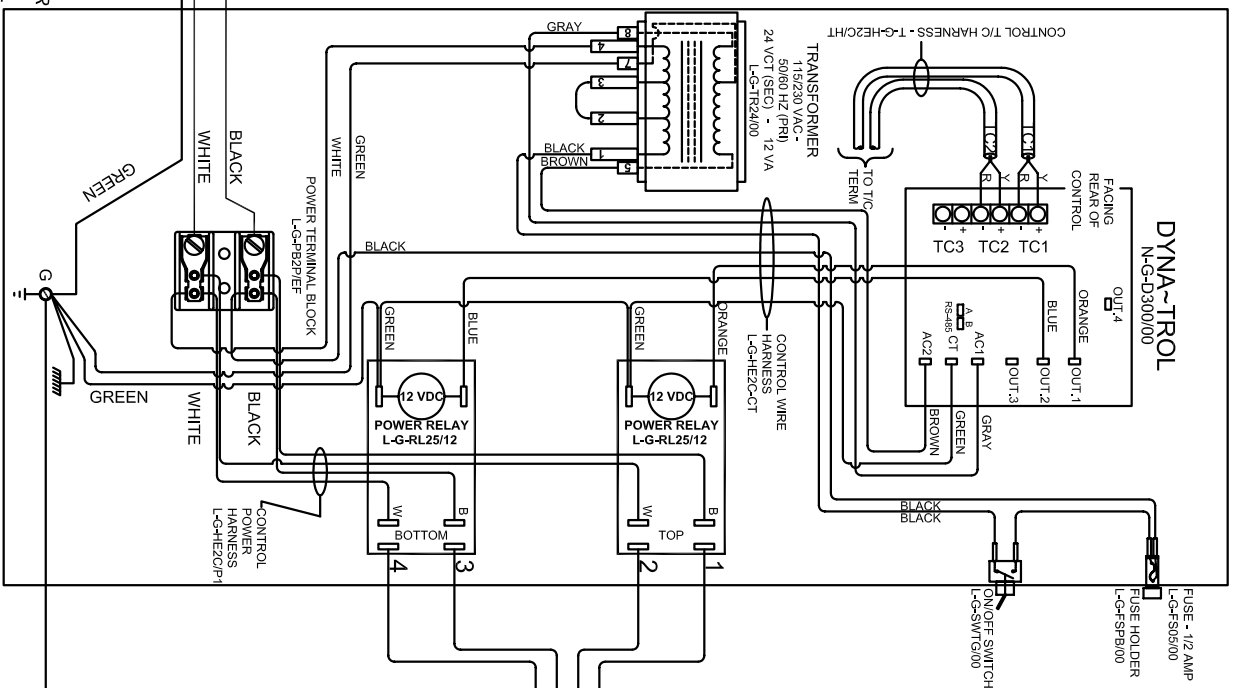
**NOTES:**

Control Wire: 16 AWG, 105°C  
 Power Wire: 10 AWG, 150°C

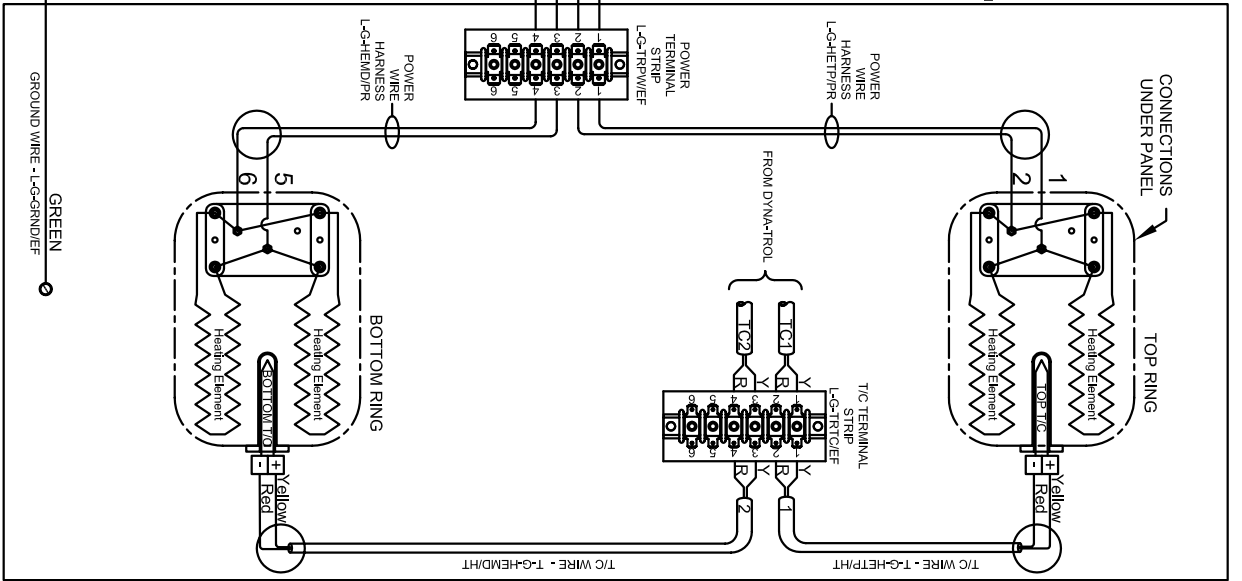
Industrial & commercial applications may require the installation of a LOCKOUT/TAGOUT device to prevent the Kiln from operating during maintenance.

This Kiln is recommended to be approved U. L. & NEC configured receptacle controlled with a disconnect switch and properly fused according to the KW load on the Kiln Nameplate. L&L Kiln Mfg., Inc., also recommends fuses rather than circuit breakers to prevent nuisance tripping.

LOOKING INSIDE CONTROL PANEL



LOOKING AT OUTSIDE OF ELEMENT COVER PANEL



**SAFETY SWITCH BY CUSTOMER**  
 Connect to  
 240 Volt, 2 Wire, Single Phase - or  
 220 Volt, 2 Wire, Single Phase - or  
 208 Volt, 2 Wire, Single Phase  
 50 or 60 Cycles.



**Model e23S-JH-208**

VOLTAGE	208 / 1 / 50-60		
WATTS	9,984		
FULL LOAD AMPS	L1	L2	L3
	48.0	48.0	X
POWER SUPPLY	FUSE	WIRE	
	60A	6 AWG	
ELEMENTS	QTY	OHMS	
A1: (E-E-23SK/21)	4	16.7	
APM: (E-E-23S1/21)			

**Model e23S-JH-220**

VOLTAGE	220 / 1 / 50-60		
WATTS	10,500		
FULL LOAD AMPS	L1	L2	L3
	47.7	47.7	X
POWER SUPPLY	FUSE	WIRE	
	60A	6 AWG	
ELEMENTS	QTY	OHMS	
A1: (E-E-23SK/41)	4	17.8	
APM: (E-E-23S1/41)			

**Model e23S-JH-240**

VOLTAGE	240 / 1 / 50-60		
WATTS	11,500		
FULL LOAD AMPS	L1	L2	L3
	47.9	47.9	X
POWER SUPPLY	FUSE	WIRE	
	60A	6 AWG	
ELEMENTS	QTY	OHMS	
A1: (E-E-23SK/31)	4	19.3	
APM: (E-E-23S1/31)			

DRAWING NO. **K284-161** SHEET OF **1/1** REV **C** TITLE **MODEL e23S-JH CRYSTALLINE KILN 1 PHASE WIRING DIAGRAM** SCALE **1 = 8** DATE **4/9/08** DRAWN BY **BWL** FILE NAME **\K284-161.dwg** MADE FROM **\K284-151.dwg**

**LINKINS** PHONE: (866) 294-0077 FAX: (866) 294-0070

REV # DATE

REVISION DESCRIPTION

INTERDUCED BY: JAMES SERRANO  
 1. REVISED  
 2. REVISED  
 3. REVISED  
 4. REVISED