

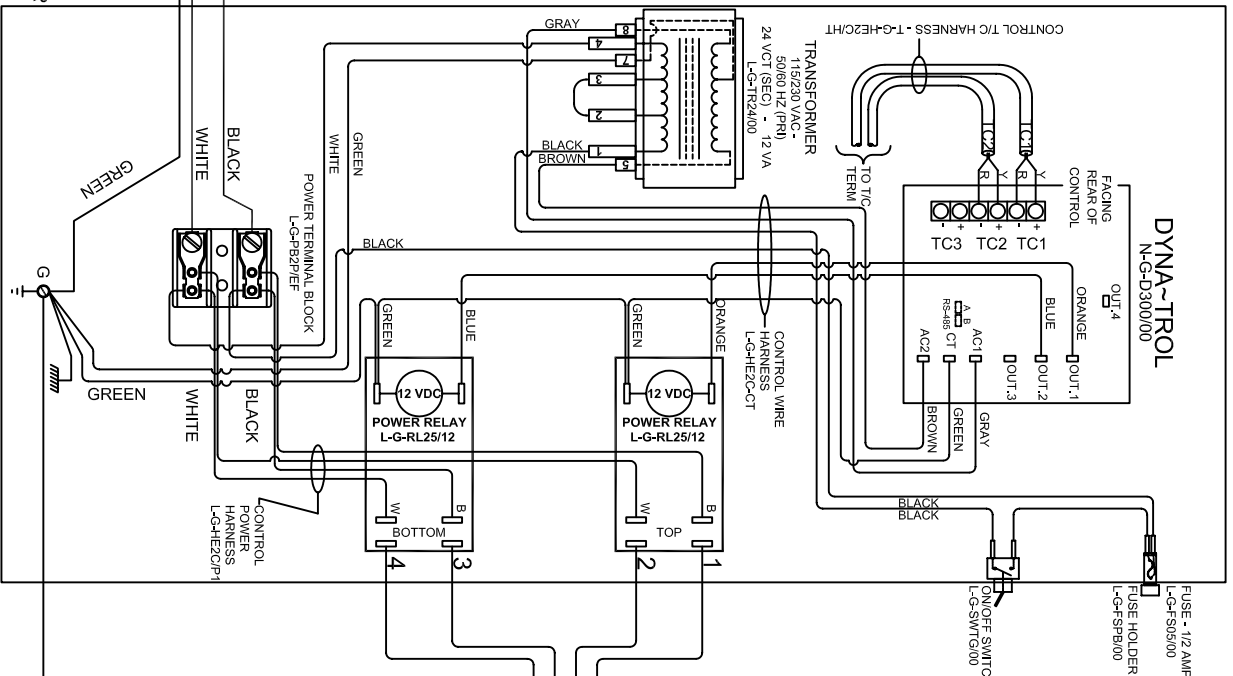
**NOTES:**

Control Wire:  
16 AWG, 105°C  
Power Wire:  
10 AWG, 150°C

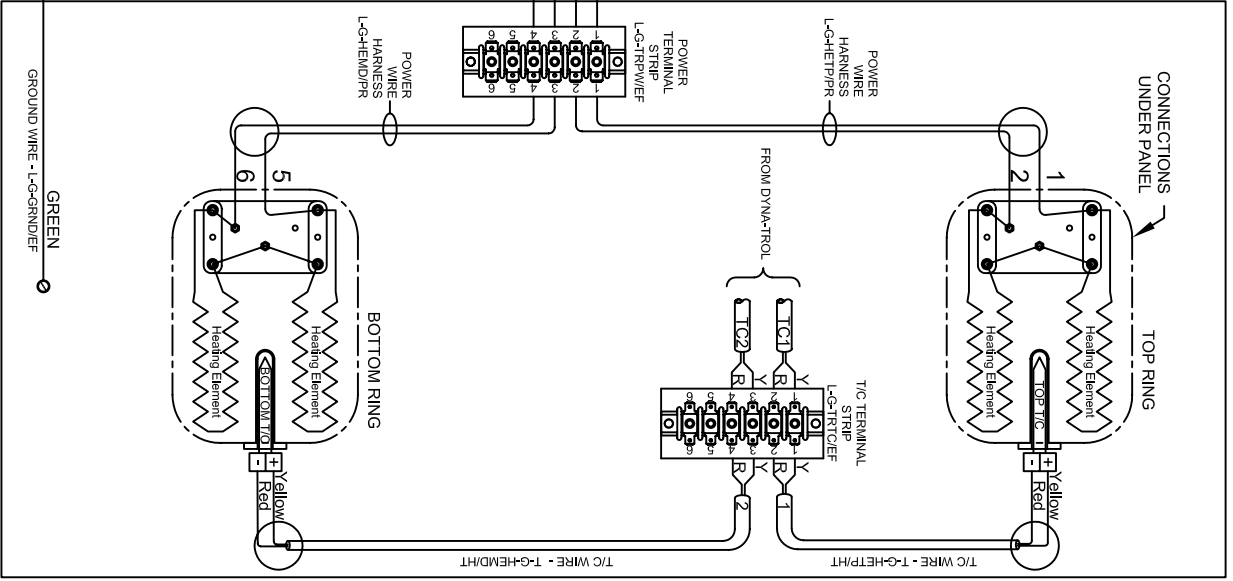
Industrial & commercial applications may require the installation of a LOCKOUT/TAGOUT device to prevent the Kiln from operating during maintenance.

This Kiln is recommended to be wired & connected to an approved U. L. & NEC configured receptacle controlled with a disconnect switch and properly fused according to the KW load load specification listed on the Kiln Nameplate. L&L Kiln Mfg., Inc. also recommends fuses rather than circuit breakers to prevent nuisance tripping.

LOOKING INSIDE CONTROL PANEL



LOOKING AT OUTSIDE OF ELEMENT COVER PANEL



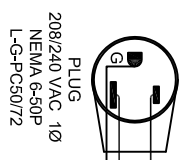
<b>Model E188</b>	
VOLTAGE	208 / 1 / 50-60
WATTS	4980
FULL LOAD AMPS	L1   L2   L3 23.9   23.9
POWER SUPPLY	FUSE   WIRE 30A   10 AWG
ELEMENTS (E-L-1800-20)	QTY   OHMS 4   8.3

<b>Model E188</b>	
VOLTAGE	220 / 1 / 50-60
WATTS	5267
FULL LOAD AMPS	L1   L2   L3 23.9   23.9
POWER SUPPLY	FUSE   WIRE 30A   10 AWG
ELEMENTS (E-L-1800-40)	QTY   OHMS 4   8.8

<b>Model E188</b>	
VOLTAGE	240 / 1 / 50-60
WATTS	5737
FULL LOAD AMPS	L1   L2   L3 23.9   23.9
POWER SUPPLY	FUSE   WIRE 30A   10 AWG
ELEMENTS (E-L-1800-30)	QTY   OHMS 4   9.6

**SAFETY SWITCH BY CUSTOMER**  
Connect to

240 Volt, 2 Wire, Single Phase - or  
220 Volt, 2 Wire, Single Phase - or  
208 Volt, 2 Wire, Single Phase  
50 or 60 Cycles.



DRAWING NO. **K281-152** SHEET OF **1/1** REV **A**

**L&L Kilns**  
Inokilns.com  
505 SHARPTOWN RD.  
SWEDENBORO, NJ 08086  
PHONE: (609) 294-0077  
FAX: (609) 294-0070

TITLE **MODEL E188S EASY-FIRE KILN 1 PHASE WIRING DIAGRAM**

SCALE **1 = 8**

DATE **4/10/07**

DRAWN BY **G.D.L.**

FILE NAME **L:\E188KILN\EASYFIRE**  
REV # | DATE | REVISION DESCRIPTION

MADE FROM **IK294-151**



REV #	DATE	REVISION DESCRIPTION
0	4/10/07	REMOVED UL LISTED MARK, ADDED MET CERTIFIED MARK AND NEW LOGO FIRST ISSUE