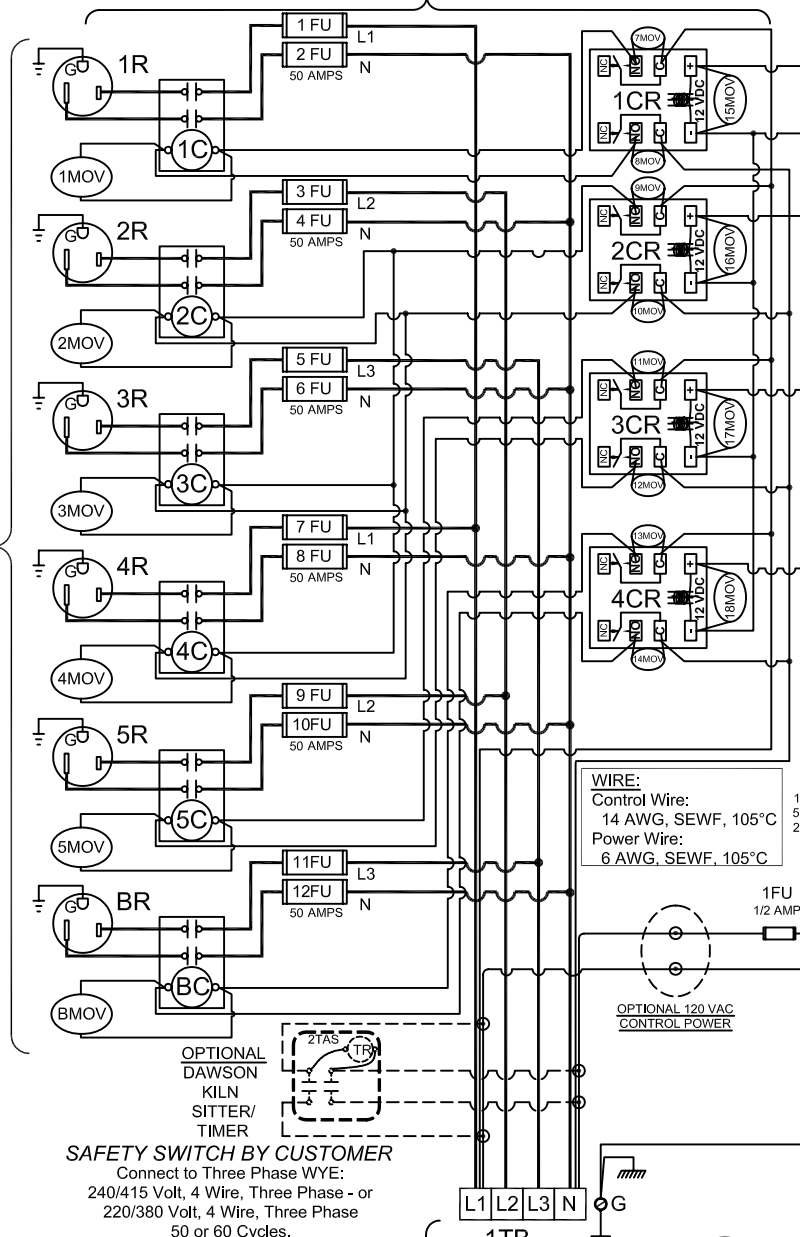


**PANEL ASSEMBLY**

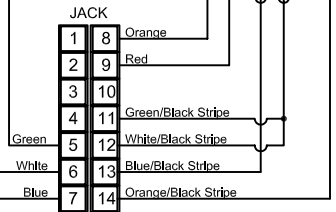
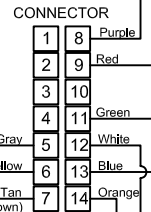
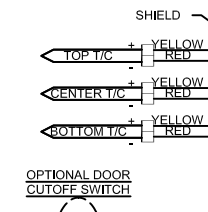
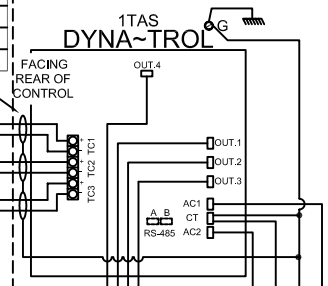
**USE WITH FOLLOWING KILN ASSEMBLIES:**

**HAND HELD CONTROL**

SEE KILN WIRING DIAGRAM  
PLUG KILN SECTION CAPS INTO RESPECTIVE RECEPTACLES



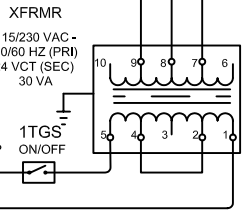
MODEL	WIRING DIAGRAM
X2845-D-PB-Y	K122-113
X3245-D-PB-Y	K129-113
T2345-D-PB-Y	K135-113
T3445-D-PB-Y	K141-113



**NOTES:**  
Industrial & commercial applications may require the installation of a LOCKOUT/TAGOUT device to prevent the Kiln from operating during maintenance.

This Kiln is recommended to be wired & connected to an approved U. L. & NEC configured disconnect switch and properly fused according to the KW load specification listed on the Kiln Nameplate. L&L Kiln Mfg., Inc., also recommends fuses rather than circuit breakers to prevent nuisance tripping.

**WIRE:**  
Control Wire:  
14 AWG, SEWF, 105°C  
Power Wire:  
6 AWG, SEWF, 105°C



**SAFETY SWITCH BY CUSTOMER**  
Connect to Three Phase WYE:  
240/415 Volt, 4 Wire, Three Phase - or  
220/380 Volt, 4 Wire, Three Phase  
50 or 60 Cycles.

SEE KILN WIRING DIAGRAM  
FOR POWER REQUIREMENTS  
SWITCHING CAPACITY =  
174 AMPS MAXIMUM



Ⓞ : TERMINATION POINTS FOR OPTIONS  
SEE DWG K262-190 FOR OPTIONAL 120V CONTROL POWER  
SEE DWG K262-191 FOR OPTIONAL DOOR SWITCH

CONNECTOR OR JACK			
Relay 1 (Top)	8	1	Not Used
Relay Common	9	2	RS-485 (A)
Not Used	10	3	RS-485 (B)
Chassis Ground	11	4	Not Used
Transformer Center Tap	12	5	Relay 4 (Power Bottom)
Transformer Secondary	13	6	Relay 3 (Bottom)
Transformer Secondary	14	7	Relay 2 (Center)

Pin Listing of 14-Pin Connector

**ELECTRICAL PARTS LIST**

SYMBOL	QTY	DESCRIPTION	CUSTOMER PART NO.
1TB	2	POWER CONNECTION BOARD	L-G-PBLG/01
1TAS	1	BARTLETT DYNATROL	N-G-D300/00
T/C	3	THERMOCOUPLES (8 Ga)	T-G-E800/00
CR	4	POWER RELAYS	L-G-RL25/12
CONN	1	CABLE AND CONNECTOR FOR PANEL	L-G-CTFM/00
JACK	1	CABLE AND JACK FOR CONTROL	L-G-CTML/00
1FU	1	CONTROL FUSE	L-C-FS05/00
1FUB	1	PANEL MOUNT FUSE HOLDER	L-G-FSPB/00
1TGS	1	ON/OFF TOGGLE SWITCH	L-G-SWTG/00
XFRMR	1	STEP DOWN TRANSFORMER	L-G-TR24/LG
15-18MOV	4	31 VOLT SURGE SUPPRESSORS	L-G-MOV0/00
C	6	POWER CONTACTORS	L-G-RL50/30
1-5,B,7-14MOV	14	250 VOLTS SURGE SUPPRESSORS	L-G-MOV1/00
FU	12	ELEMENT FUSES	L-G-FS50/NL
FUB	6	ELEMENT FUSE BLOCKS	L-G-FH60/20
R	6	SINGLE RECEPTACLE NEMA 6-50R	L-G-SR50/00
2TAS	1 (OPT)	DAWSON KILN SITTER	N-G-LT30/00
2TAS	1 (OPT)	50 HZ DAWSON KILN SITTER	N-G-LT30/50

REV#	DATE	REVISION DESCRIPTION
B	7/6/09	ADDED MET CERTIFIED MARK & NEW LOGO
A	10/1/02	MISC CHANGES FOR RELEASE
0	6/4/01	MOVED NEUTRAL CONTROL WIRES TO NEUTRAL LUG

**L&L Kilns**  
hotkilns.com  
505 SHARPTOWN ROAD  
SWEDESBORO, NJ 08085  
PHONE: (856) 294-0077  
FAX: (856) 294-0070

**TITLE**  
**CONTROL WIRING DIAGRAM**  
**WITH HAND-HELD DYNA-TROL**

For 3 Ph-Wye KILN with (5) 50 Amp Sections & Branch Circuit Fusing / 50 Amp Power Bottom

DRAWN BY	G.D.L.	REV. CODE	B	DRAWING NO.	K265-162
DATE	4/26/01	SCALE	1 = 8		
CHK	G.D.L.	APP			
JOB NO		SER NO		SHEET NO.	1 OF 1
FILE NAME	L:\E\ILLKILN\WIRING\GCTL		MADE FROM	D:\AVINCIN\K105-154.dwg	
	K265-162.dwg				