

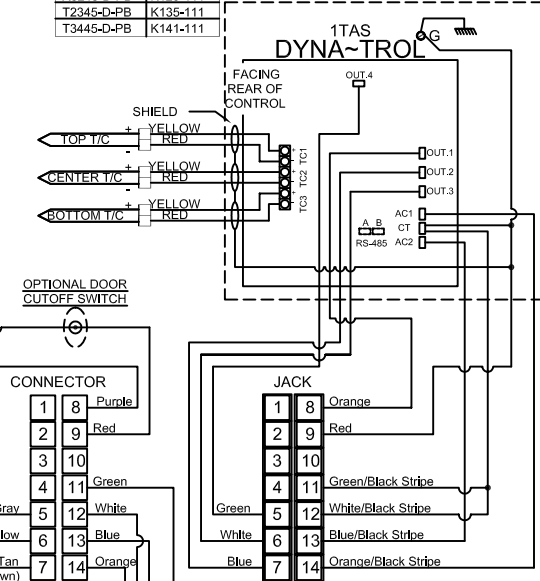
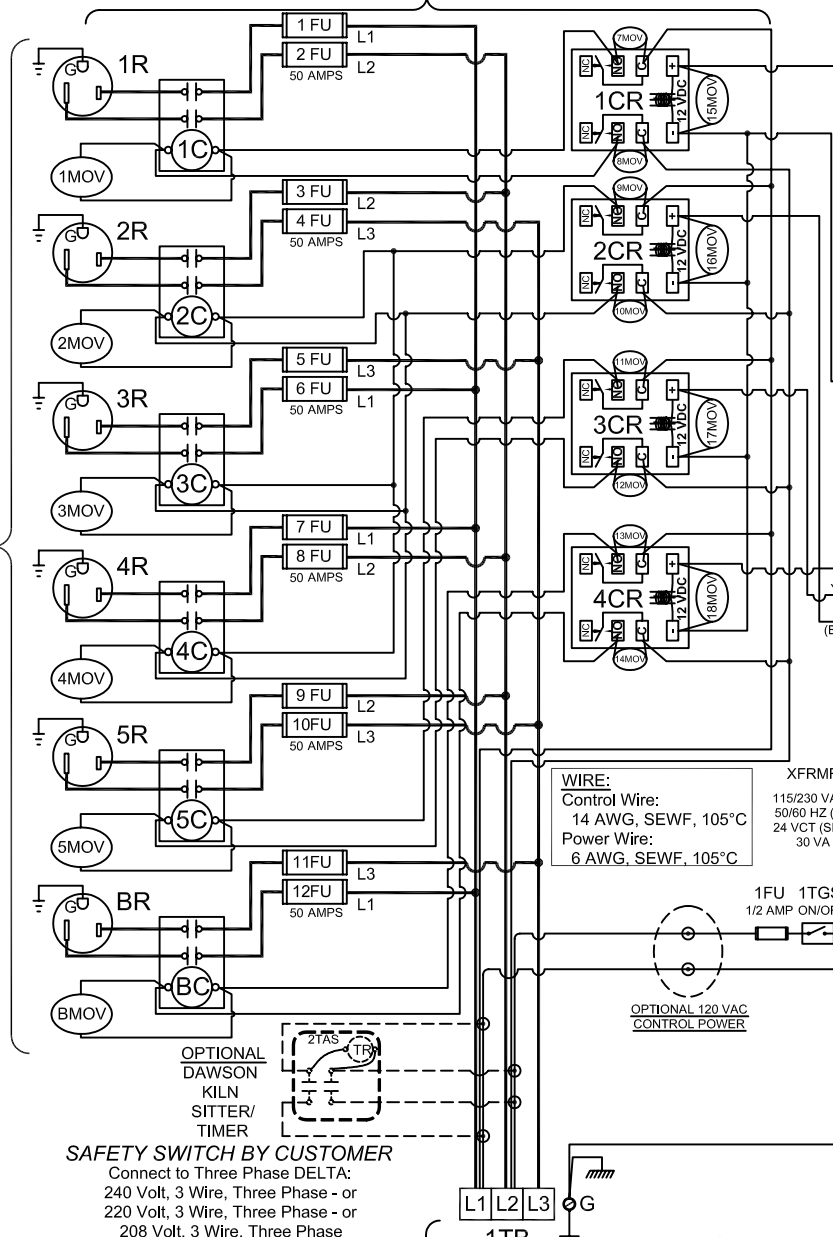
PANEL ASSEMBLY

USE WITH FOLLOWING KILN ASSEMBLIES:

MODEL	WIRING DIAGRAM
X2845-D-PB	K122-111
X3245-D-PB	K129-111
T2345-D-PB	K135-111
T3445-D-PB	K141-111

HAND HELD CONTROL

SEE KILN WIRING DIAGRAM
PLUG KILN SECTION CAPS INTO RESPECTIVE RECEPTACLES



NOTES:
Industrial & commercial applications may require the installation of a LOCKOUT/TAGOUT device to prevent the Kiln from operating during maintenance.

This Kiln is recommended to be wired & connected to an approved U. L. & NEC configured disconnect switch and properly fused according to the KW load specification listed on the Kiln Nameplate. L.&L Kiln Mfg., Inc., also recommends fuses rather than circuit breakers to prevent nuisance tripping.

SAFETY SWITCH BY CUSTOMER
Connect to Three Phase DELTA:
240 Volt, 3 Wire, Three Phase - or
220 Volt, 3 Wire, Three Phase - or
208 Volt, 3 Wire, Three Phase
50 or 60 Cycles.

SEE KILN WIRING DIAGRAM
FOR POWER REQUIREMENTS
SWITCHING CAPACITY =
174 AMPS MAXIMUM

WIRE:
Control Wire:
14 AWG, SEWF, 105°C
Power Wire:
6 AWG, SEWF, 105°C

XFRMR
115/230 VAC -
50/60 HZ (PRI)
24 VCT (SEC)
30 VA

1FU 1TGS
1/2 AMP ON/OFF



⊙ : TERMINATION POINTS FOR OPTIONS
SEE DWG K262-190 FOR OPTIONAL 120V CONTROL POWER
SEE DWG K262-191 FOR OPTIONAL DOOR SWITCH

CONNECTOR OR JACK

Relay 1 (Top)	8	1	Not Used
Relay Common	9	2	RS-485 (A)
Not Used	10	3	RS-485 (B)
Chassis Ground	11	4	Not Used
Transformer Center Tap	12	5	Relay 4 (Power Bottom)
Transformer Secondary	13	6	Relay 3 (Bottom)
Transformer Secondary	14	7	Relay 2 (Center)

Pin Listing of 14-Pin Connector

ELECTRICAL PARTS LIST

SYMBOL	QTY	DESCRIPTION	CUSTOMER PART NO.
1TB	1	POWER CONNECTION BOARD	L-G-PBLG/03
1TAS	1	BARTLETT DYNATROL	N-G-D300/00
T/C	3	THERMOCOUPLES (8 Ga)	T-G-E800/00
CR	4	POWER RELAYS	L-G-RL25/12
CONN	1	CABLE AND CONNECTOR FOR PANEL	L-G-CTFM/00
JACK	1	CABLE AND JACK FOR CONTROL	L-G-CTML/00
1FU	1	CONTROL FUSE	L-C-FS05/00
1FUB	1	PANEL MOUNT FUSE HOLDER	L-G-FSPB/00
1TGS	1	ON/OFF TOGGLE SWITCH	L-G-SWTG/00
XFRMR	1	STEP DOWN TRANSFORMER	L-G-TR24/LG
15-18MOV	4	31 VOLT SURGE SUPPRESSORS	L-G-MOV0/00
C	6	POWER CONTACTORS	L-G-RL50/30
1-5,B,7-14MOV	14	250 VOLTS SURGE SUPPRESSORS	L-G-MOV1/00
FU	12	ELEMENT FUSES	L-G-FS50/NL
FUB	6	ELEMENT FUSE BLOCKS	L-G-FH60/20
R	6	SINGLE RECEPTACLE NEMA 6-50R	L-G-SR50/00
2TAS	1 (OPT)	DAWSON KILN SITTER	N-G-LT30/00
2TAS	1 (OPT)	50 HZ DAWSON KILN SITTER	N-G-LT30/50

B	7/6/09	REPLACED UL MARK WITH MET CERTIFIED MARK & ADDED NEW LOGO
A	9/12/02	MISC CHANGES FOR RELEASE / REMOVED XB&TB INFO
0	5/21/01	ADDED XB & TB MODEL INFO
P1	4/12/01	MISC AS-BUILT CHANGES
REV#	DATE	REVISION DESCRIPTION

L Kilns
hotkilns.com

505 SHARPTOWN ROAD
SWEDESBORO, NJ 08085

PHONE: (856) 294-0077
FAX: (856) 294-0070

TITLE **CONTROL WIRING DIAGRAM
WITH HAND-HELD DYNA-TROL**

For 3 Phase KILN with (5) 50 Amp Sections &
Branch Circuit Fusing / 50 Amp Power Bottom

DRAWN BY	G.D.L.	REV. CODE	B	DRAWING NO.	K265-158
DATE	10/20/99	SCALE	1 = 8		
CHK	G.D.L.	APP			
JOB NO		SER NO		SHEET NO.	1 OF 1
FILE NAME	L:\EVLKILN\WIRING\GCTL		MADE FROM	D:\AVINCIN\K105-154.dwg	
	IK265-158.dwg				