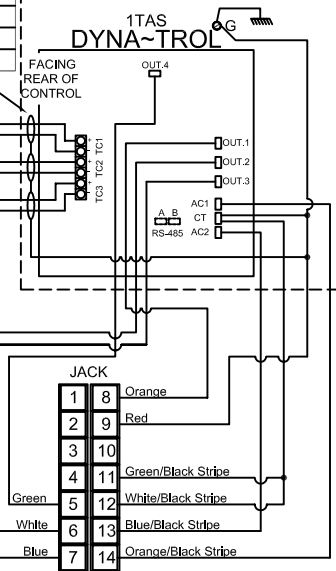


**PANEL ASSEMBLY**

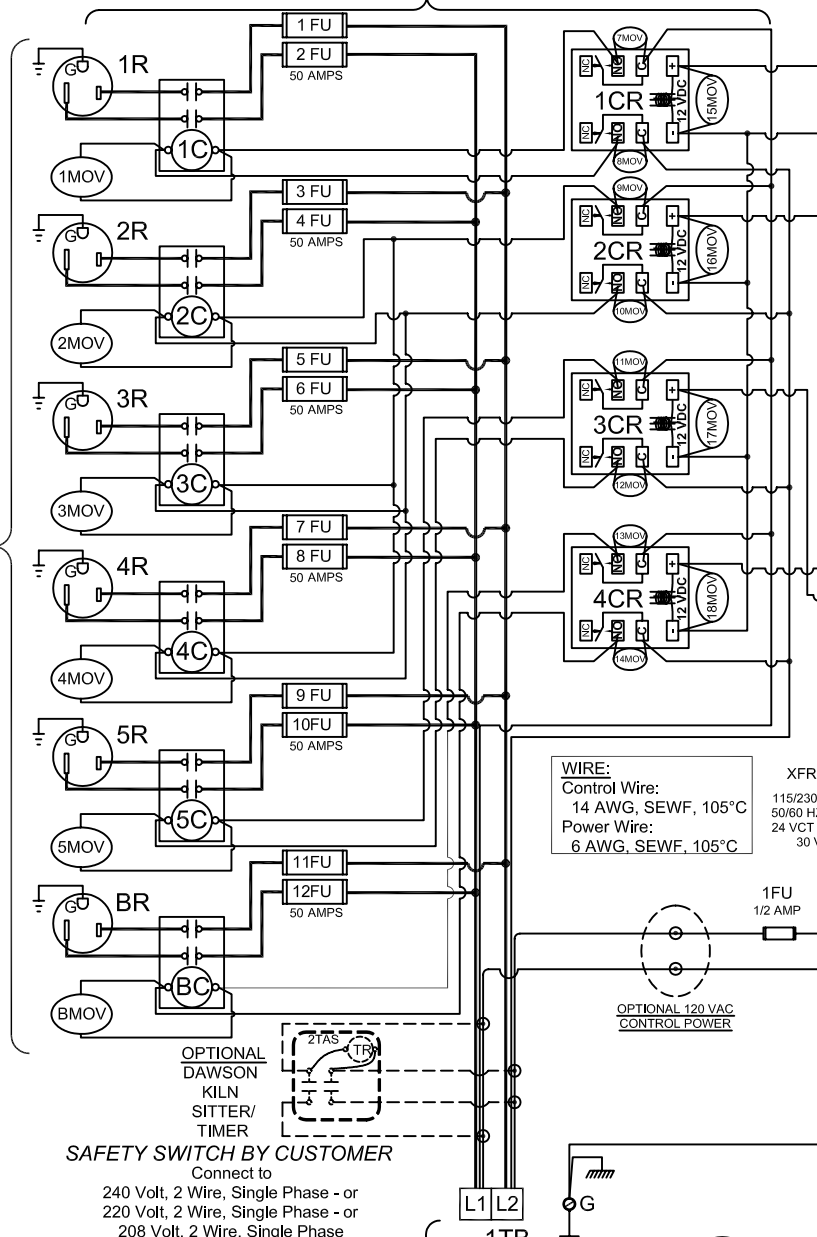
**USE WITH FOLLOWING KILN ASSEMBLIES:**

MODEL	WIRING DIAGRAM
X2845-D-PB	K122-111
X3245-D-PB	K129-111
T2345-D-PB	K135-111
T3445-D-PB	K141-111

**HAND HELD CONTROL**



SEE KILN WIRING DIAGRAM  
PLUG KILN SECTION CAPS INTO RESPECTIVE RECEPTACLES



**WIRE:**  
Control Wire:  
14 AWG, SEWF, 105°C  
Power Wire:  
6 AWG, SEWF, 105°C

**XFRMR**  
115/230 VAC -  
50/60 HZ (PRI)  
24 VCT (SEC)  
30 VA

**NOTES:**  
Industrial & commercial applications may require the installation of a LOCKOUT/TAGOUT device to prevent the Kiln from operating during maintenance.

This Kiln is recommended to be wired & connected to an approved U. L. & NEC configured disconnect switch and properly fused according to the KW load specification listed on the Kiln Nameplate. L&L Kiln Mfg., Inc., also recommends fuses rather than circuit breakers to prevent nuisance tripping.

**SAFETY SWITCH BY CUSTOMER**  
Connect to  
240 Volt, 2 Wire, Single Phase - or  
220 Volt, 2 Wire, Single Phase - or  
208 Volt, 2 Wire, Single Phase  
50 or 60 Cycles.

**SEE KILN WIRING DIAGRAM FOR POWER REQUIREMENTS**  
SWITCHING CAPACITY =  
230 AMPS MAXIMUM

**CONNECTOR OR JACK**

Relay 1 (Top)	8	1	Not Used
Relay Common	9	2	RS-485 (A)
Not Used	10	3	RS-485 (B)
Chassis Ground	11	4	Not Used
Transformer Center Tap	12	5	Relay 4 (Power Bottom)
Transformer Secondary	13	6	Relay 3 (Bottom)
Transformer Secondary	14	7	Relay 2 (Center)

Pin Listing of 14-Pin Connector



© : TERMINATION POINTS FOR OPTIONS  
SEE DWG K262-190 FOR OPTIONAL 120V CONTROL POWER  
SEE DWG K262-191 FOR OPTIONAL DOOR SWITCH

**ELECTRICAL PARTS LIST**

SYMBOL	QTY	DESCRIPTION	CUSTOMER PART NO.
1TB	1	POWER CONNECTION BOARD	L-G-PBLG/03
1TAS	1	BARTLETT DYNATROL	N-G-D300/00
T/C	3	THERMOCOUPLES (8 Ga)	T-G-E800/00
CR	4	POWER RELAYS	L-G-RL25/12
CONN	1	CABLE AND CONNECTOR FOR PANEL	L-G-CTFM/00
JACK	1	CABLE AND JACK FOR CONTROL	L-G-CTML/00
1FU	1	CONTROL FUSE	L-C-FS05/00
1FUB	1	PANEL MOUNT FUSE HOLDER	L-G-FSPB/00
1TGS	1	ON/OFF TOGGLE SWITCH	L-G-SWTG/00
XFRMR	1	STEP DOWN TRANSFORMER	L-G-TR24/LG
15-18MOV	4	31 VOLT SURGE SUPPRESSORS	L-G-MOV0/00
C	6	POWER CONTACTS	L-G-RL50/30
1-5,B,7-14MOV	14	250 VOLTS SURGE SUPPRESSORS	L-G-MOV1/00
FU	12	ELEMENT FUSES	L-G-FS50/NL
FUB	6	ELEMENT FUSE BLOCKS	L-G-FH60/20
R	6	SINGLE RECEPTACLE NEMA 6-50R	L-G-SR50/00
2TAS	1 (OPT)	DAWSON KILN SITTER	N-G-LT30/00
2TAS	1 (OPT)	50 HZ DAWSON KILN SITTER	N-G-LT30/50

REV#	DATE	REVISION DESCRIPTION
A	7/6/09	REPLACED UL MARK WITH MET CERTIFIED MARK & ADDED NEW LOGO
0	10/11/02	MISC CHANGES FOR RELEASE

**L&L Kilns**  
hotkilns.com  
505 SHARPTOWN ROAD  
SWEDESBORO, NJ 08085  
PHONE: (856) 294-0077  
FAX: (856) 294-0070

**CONTROL WIRING DIAGRAM WITH HAND-HELD DYNA-TROL**  
For 1 Phase KILN with (5) 50 Amp Sections & Branch Circuit Fusing / 50 Amp Power Bottom

DRAWN BY	G.D.L.	REV. CODE	A	DRAWING NO.	K265-157
DATE	10/20/99	SCALE	1 = 8	SHEET NO.	1 OF 1
CHK	G.D.L.	APP		FILE NAME	L:\EVL\KILN\WIRING\GCTL\K265-157.dwg
JOB NO.		SER NO.		MADE FROM	D\AVINCINI\K105-152.dwg