

SEE KILN WIRING DIAGRAM FOR POWER REQUIREMENTS SWITCHING CAPACITY = 174 AMPS MAXIMUM

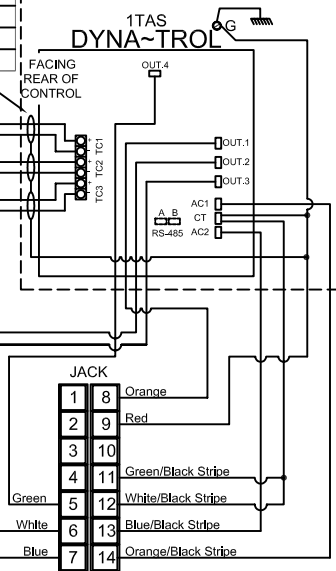
SAFETY SWITCH BY CUSTOMER
 Connect to Three Phase WYE:
 240/415 Volt, 4 Wire, Three Phase - or
 220/380 Volt, 4 Wire, Three Phase
 50 or 60 Cycles.

SEE KILN WIRING DIAGRAM FOR POWER REQUIREMENTS SWITCHING CAPACITY = 174 AMPS MAXIMUM

USE WITH FOLLOWING KILN ASSEMBLIES:

MODEL	WIRING DIAGRAM
X2827-D-Y	K120-114
X3227-D-Y	K127-114
T2327-D-Y	K133-114
T3427-D-Y	K139-112

HAND HELD CONTROL



NOTES:
 Industrial & commercial applications may require the installation of a LOCKOUT/TAGOUT device to prevent the Kiln from operating during maintenance.

This Kiln is recommended to be wired & connected to an approved U. L. & NEC configured disconnect switch and properly fused according to the KW load specification listed on the Kiln Nameplate. L&L Kiln Mfg., Inc., also recommends fuses rather than circuit breakers to prevent nuisance tripping.

CONNECTOR OR JACK

Relay 1 (Top)	8	1	Not Used
Relay Common	9	2	RS-485 (A)
Not Used	10	3	RS-485 (B)
Chassis Ground	11	4	Not Used
Transformer Center Tap	12	5	Relay 4 (Power Bottom)
Transformer Secondary	13	6	Relay 3 (Bottom)
Transformer Secondary	14	7	Relay 2 (Center)

Pin Listing of 14-Pin Connector



Ⓞ : TERMINATION POINTS FOR OPTIONS
 SEE DWG K262-190 FOR OPTIONAL 120V CONTROL POWER
 SEE DWG K262-191 FOR OPTIONAL DOOR SWITCH

ELECTRICAL PARTS LIST

SYMBOL	QTY	DESCRIPTION	CUSTOMER PART NO.
1TB	2	POWER CONNECTION BOARD	L-G-PBLG/01
1TAS	1	BARTLETT DYNATROL	N-G-D300/00
T/C	3	THERMOCOUPLES (8 Ga)	T-G-E800/00
CR	3	POWER RELAYS	L-G-RL25/12
CONN	1	CABLE AND CONNECTOR FOR PANEL	L-G-CTFM/00
JACK	1	CABLE AND JACK FOR CONTROL	L-G-CTML/00
1FU	1	CONTROL FUSE	L-C-FS05/00
1FUB	1	PANEL MOUNT FUSE HOLDER	L-G-FSPB/00
1TGS	1	ON/OFF TOGGLE SWITCH	L-G-SWTG/00
XFRMR	1	STEP DOWN TRANSFORMER	L-G-TR24/00
15-18MOV	3	31 VOLT SURGE SUPPRESSORS	L-G-MOV0/00
C	3	POWER CONTACTORS	L-G-RL50/30
1-5,B,7-14MOV	9	250 VOLTS SURGE SUPPRESSORS	L-G-MOV1/00
FU	6	ELEMENT FUSES	L-G-FS50/NL
FUB	3	ELEMENT FUSE BLOCKS	L-G-FH60/20
R	3	SINGLE RECEPTACLE NEMA 6-50R	L-G-SR50/00
2TAS	1 (OPT)	DAWSON KILN SITTE	N-G-LT30/00
2TAS	1 (OPT)	50 HZ DAWSON KILN SITTE	N-G-LT30/50

505 SHARPTOWN ROAD
 SWEDESBORO, NJ 08085
 PHONE: (856) 294-0077
 FAX: (856) 294-0070

L&L Kilns
 hotkilns.com

CONTROL WIRING DIAGRAM WITH HAND-HELD DYNA-TROL

For 3 Ph-Wye KILN with (3) 50 Amp Sections & Branch Circuit Fusing / No Power Bottom

DRAWN BY	G.D.L.	REV. CODE	A	DRAWING NO.	K264-160
DATE	7/5/05	SCALE	1 = 8		
CHK	G.D.L.	APP			
JOB NO.		SER NO.		SHEET NO.	1 OF 1
FILE NAME	L:\E\11KILN\WIRING\GCTL		MADE FROM	WIRING\GCTL\K265-160.dwg	
	K264-160.dwg				