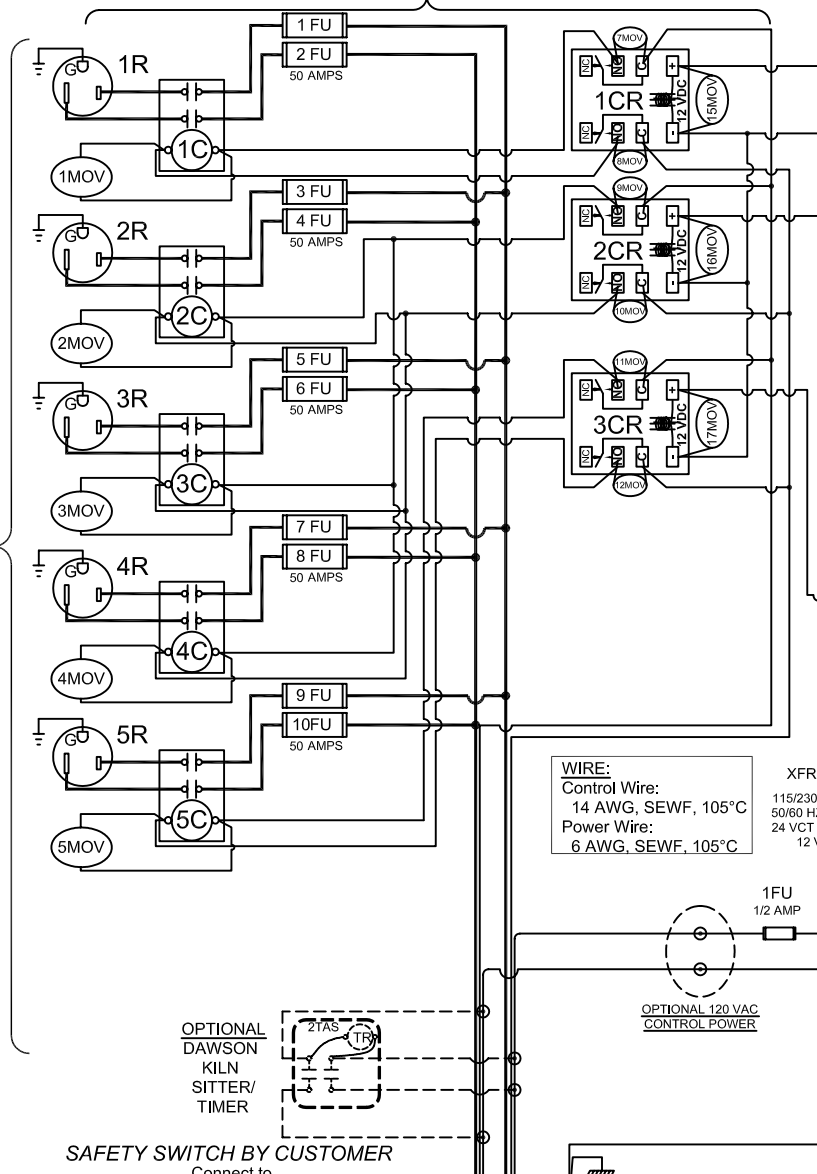


PANEL ASSEMBLY

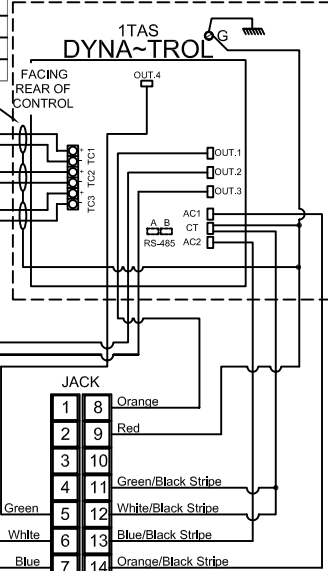
USE WITH FOLLOWING KILN ASSEMBLIES:

HAND HELD CONTROL

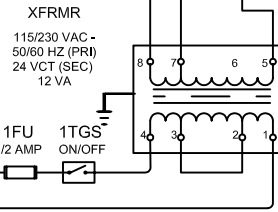
SEE KILN WIRING DIAGRAM
PLUG KILN SECTION CAPS INTO RESPECTIVE RECEPTACLES



| MODEL | WIRING DIAGRAM |
|---------|----------------|
| X2845-D | K122-110 |
| X3245-D | K129-110 |
| T2345-D | K135-110 |
| T3445-D | K141-110 |

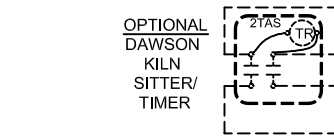


WIRE:
Control Wire:
14 AWG, SEWF, 105°C
Power Wire:
6 AWG, SEWF, 105°C



NOTES:
Industrial & commercial applications may require the installation of a LOCKOUT/TAGOUT device to prevent the Kiln from operating during maintenance.

This Kiln is recommended to be wired & connected to an approved U. L. & NEC configured disconnect switch and properly fused according to the KW load specification listed on the Kiln Nameplate. L&L Kiln Mfg., Inc., also recommends fuses rather than circuit breakers to prevent nuisance tripping.



SAFETY SWITCH BY CUSTOMER
Connect to
240 Volt, 2 Wire, Single Phase - or
220 Volt, 2 Wire, Single Phase - or
208 Volt, 2 Wire, Single Phase
50 or 60 Cycles.

SEE KILN WIRING DIAGRAM
FOR POWER REQUIREMENTS
SWITCHING CAPACITY =
200 AMPS MAXIMUM



CONNECTOR OR JACK

| | | | |
|------------------------|----|---|------------------------|
| Relay 1 (Top) | 8 | 1 | Not Used |
| Relay Common | 9 | 2 | RS-485 (A) |
| Not Used | 10 | 3 | RS-485 (B) |
| Chassis Ground | 11 | 4 | Not Used |
| Transformer Center Tap | 12 | 5 | Relay 4 (Power Bottom) |
| Transformer Secondary | 13 | 6 | Relay 3 (Bottom) |
| Transformer Secondary | 14 | 7 | Relay 2 (Center) |

Pin Listing of 14-Pin Connector

Ⓞ : TERMINATION POINTS FOR OPTIONS
SEE DWG K262-190 FOR OPTIONAL 120V CONTROL POWER
SEE DWG K262-191 FOR OPTIONAL DOOR SWITCH

ELECTRICAL PARTS LIST

| SYMBOL | QTY | DESCRIPTION | CUSTOMER PART NO. |
|----------|---------|-------------------------------|-------------------|
| 1TB | 1 | POWER CONNECTION BOARD | L-G-PBLG/03 |
| 1TAS | 1 | BARTLETT DYNATROL | N-G-D300/00 |
| T/C | 3 | THERMOCOUPLES (8 Ga) | T-G-E800/00 |
| CR | 3 | POWER RELAYS | L-G-RL25/12 |
| CONN | 1 | CABLE AND CONNECTOR FOR PANEL | L-G-CTFM/00 |
| JACK | 1 | CABLE AND JACK FOR CONTROL | L-G-CTML/00 |
| 1FU | 1 | CONTROL FUSE | L-C-FS05/00 |
| 1FUB | 1 | PANEL MOUNT FUSE HOLDER | L-G-FSPB/00 |
| 1TGS | 1 | ON/OFF TOGGLE SWITCH | L-G-SWTG/00 |
| XFRMR | 1 | STEP DOWN TRANSFORMER | L-G-TR24/00 |
| 15-18MOV | 3 | 31 VOLT SURGE SUPPRESSORS | L-G-MOV0/00 |
| C | 5 | POWER CONTACTORS | L-G-RL50/30 |
| 1-14MOV | 11 | 250 VOLTS SURGE SUPPRESSORS | L-G-MOV1/00 |
| FU | 10 | ELEMENT FUSES | L-G-FS50/NL |
| FUB | 5 | ELEMENT FUSE BLOCKS | L-G-FH60/20 |
| R | 5 | SINGLE RECEPTACLE NEMA 6-50R | L-G-SR50/00 |
| 2TAS | 1 (OPT) | DAWSON KILN SITTER | N-G-LT30/00 |
| 2TAS | 1 (OPT) | 50 HZ DAWSON KILN SITTER | N-G-LT30/50 |

| | | |
|------|----------|---|
| REV# | DATE | REVISION DESCRIPTION |
| A | 7/6/09 | REPLACED UL MARK WITH MET CERTIFIED MARK & ADDED NEW LOGO |
| 0 | 10/10/02 | MISC CHANGES FOR RELEASE |

L&L Kilns
hotkilns.com
505 SHARPTOWN ROAD
SWEDESBORO, NJ 08085
PHONE: (856) 294-0077
FAX: (856) 294-0070

**CONTROL WIRING DIAGRAM
WITH HAND-HELD DYNA-TROL**
For 1 Phase KILN with (5) 50 Amp Sections &
Branch Circuit Fusing / No Power Bottom

| | | | | | |
|-----------|--------------------------|-----------|-----------|------------------------|----------|
| DRAWN BY | G.D.L. | REV. CODE | A | DRAWING NO. | K264-157 |
| DATE | 4/30/01 | SCALE | 1 = 8 | | |
| CHK | G.D.L. | APP | | | |
| JOB NO. | | SER NO. | | SHEET NO. | 1 OF 1 |
| FILE NAME | L:\E\11\KILN\WIRING\GCTL | | MADE FROM | D:\AVINC\IK105-151.dwg | |
| | K264-157.dwg | | | | |