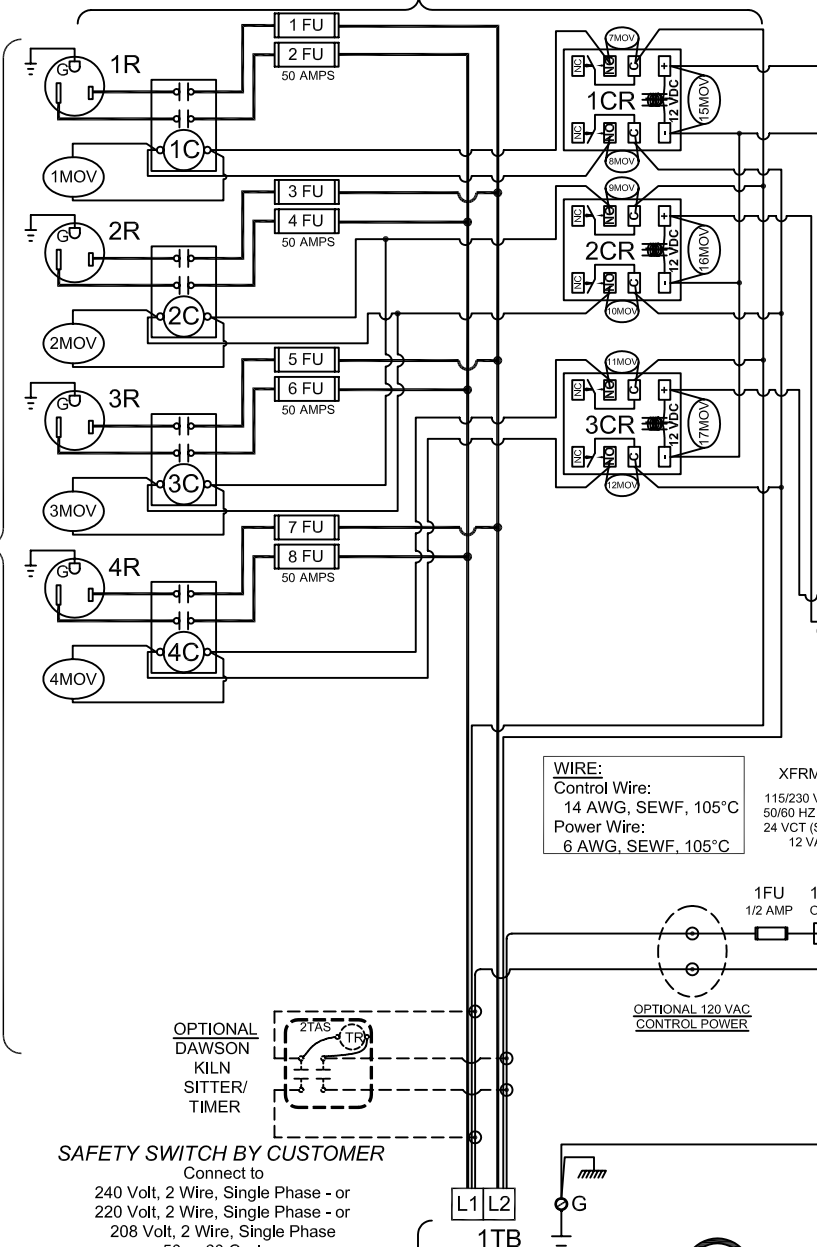


**PANEL ASSEMBLY**

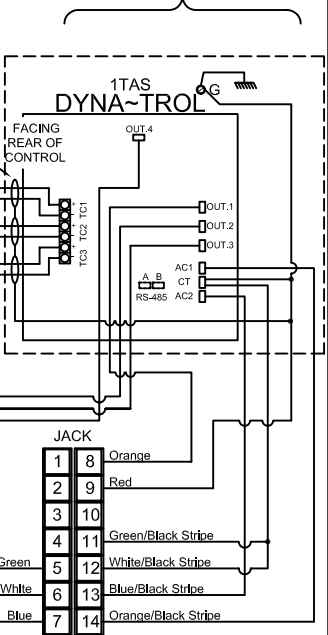
**USE WITH FOLLOWING KILN ASSEMBLIES:**

**HAND HELD CONTROL**

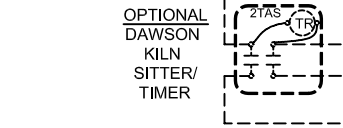
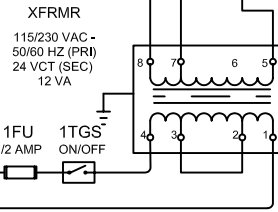
SEE KILN WIRING DIAGRAM  
PLUG KILN SECTION CAPS INTO RESPECTIVE RECEPTACLES



MODEL	WIRING DIAGRAM
X2836-D	K121-110
X3236-D	K128-110
T2336-D	K134-110
T3436-D	K140-110



**WIRE:**  
Control Wire:  
14 AWG, SEWF, 105°C  
Power Wire:  
6 AWG, SEWF, 105°C



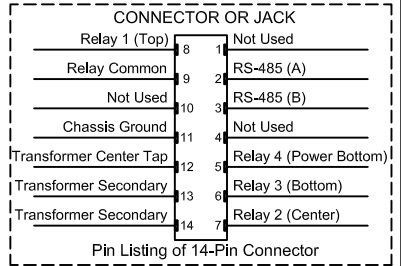
**SAFETY SWITCH BY CUSTOMER**  
Connect to  
240 Volt, 2 Wire, Single Phase - or  
220 Volt, 2 Wire, Single Phase - or  
208 Volt, 2 Wire, Single Phase  
50 or 60 Cycles.

SEE KILN WIRING DIAGRAM  
FOR POWER REQUIREMENTS  
SWITCHING CAPACITY =  
160 AMPS MAXIMUM



**NOTES:**  
Industrial & commercial applications may require the installation of a LOCKOUT/TAGOUT device to prevent the Kiln from operating during maintenance.

This Kiln is recommended to be wired & connected to an approved U. L. & NEC configured disconnect switch and properly fused according to the KW load specification listed on the Kiln Nameplate. L&L Kiln Mfg., Inc., also recommends fuses rather than circuit breakers to prevent nuisance tripping.



Ⓞ : TERMINATION POINTS FOR OPTIONS  
SEE DWG K262-190 FOR OPTIONAL 120V CONTROL POWER  
SEE DWG K262-191 FOR OPTIONAL DOOR SWITCH

**ELECTRICAL PARTS LIST**

SYMBOL	QTY	DESCRIPTION	CUSTOMER PART NO.
1TB	1	POWER CONNECTION BOARD	L-G-PBLG/01
1TAS	1	BARTLETT DYNATROL	N-G-D300/00
T/C	3	THERMOCOUPLES (8 Ga)	T-G-E800/00
CR	3	POWER RELAYS	L-G-RL25/12
CONN	1	CABLE AND CONNECTOR FOR PANEL	L-G-CTFM/00
JACK	1	CABLE AND JACK FOR CONTROL	L-G-CTML/00
1FU	1	CONTROL FUSE	L-C-FS05/00
1FUB	1	PANEL MOUNT FUSE HOLDER	L-G-FSPB/00
1TGS	1	ON/OFF TOGGLE SWITCH	L-G-SWTG/00
XFRMR	1	STEP DOWN TRANSFORMER	L-G-TR24/00
15-18MOV	3	31 VOLT SURGE SUPPRESSORS	L-G-MOV0/00
C	4	POWER CONTACTORS	L-G-RL50/30
1-14MOV	10	250 VOLTS SURGE SUPPRESSORS	L-G-MOV1/00
FU	8	ELEMENT FUSES	L-G-FS50/NL
FUB	4	ELEMENT FUSE BLOCKS	L-G-FH60/20
R	4	SINGLE RECEPTACLE NEMA 6-50R	L-G-SR50/00
2TAS	1 (OPT)	DAWSON KILN SITTER	N-G-LT30/00
2TAS	1 (OPT)	50 HZ DAWSON KILN SITTER	N-G-LT30/50

REV#	DATE	REVISION DESCRIPTION
A	7/6/09	REPLACED UL MARK WITH MET CERTIFIED MARK & ADDED NEW LOGO
0	10/10/02	MISC CHANGES FOR RELEASE

**L&L Kilns**  
hotkilns.com  
505 SHARPTOWN ROAD  
SWEDESBORO, NJ 08085  
PHONE: (856) 294-0077  
FAX: (856) 294-0070

**CONTROL WIRING DIAGRAM  
WITH HAND-HELD DYNA-TROL**  
For 1 Phase KILN with (4) 50 Amp Sections &  
Branch Circuit Fusing / No Power Bottom

DRAWN BY	G.D.L.	REV. CODE	A	DRAWING NO.	K264-155
DATE	4/30/01	SCALE	1 = 8	SHEET NO.	1 OF 1
CHK	G.D.L.	APP		FILE NAME	L:\E\ILLKILN\WIRING\GCTL K264-155.dwg
JOB NO		SER NO		MADE FROM	DAVINCI\K105-151.dwg