

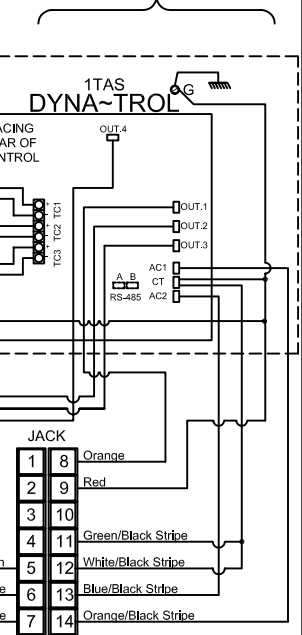
SEE KILN WIRING DIAGRAM
PLUG KILN SECTION CAPS INTO RESPECTIVE RECEPTACLES

PANEL ASSEMBLY

**USE WITH FOLLOWING
KILN ASSEMBLIES:**

MODEL	WIRING DIAGRAM
X2827-D	K120-110
X3227-D	K127-110
T2327-D	K133-110
T3427-D	K139-110

HAND HELD CONTROL



NOTES:
Industrial & commercial applications may require the installation of a LOCKOUT/TAGOUT device to prevent the Kiln from operating during maintenance.

This Kiln is recommended to be wired & connected to an approved U. L. & NEC configured disconnect switch and properly fused according to the KW load specification listed on the Kiln Nameplate. L&L Kiln Mfg., Inc., also recommends fuses rather than circuit breakers to prevent nuisance tripping.

SAFETY SWITCH BY CUSTOMER
Connect to Three Phase DELTA:
240 Volt, 3 Wire, Three Phase - or
220 Volt, 3 Wire, Three Phase - or
208 Volt, 3 Wire, Three Phase
50 or 60 Cycles.

SEE KILN WIRING DIAGRAM
FOR POWER REQUIREMENTS
SWITCHING CAPACITY =
70 AMPS MAXIMUM

WIRE:
Control Wire:
14 AWG, SEWF, 105°C
Power Wire:
6 AWG, SEWF, 105°C



Ⓞ : TERMINATION POINTS FOR OPTIONS
SEE DWG K262-190 FOR OPT 120V CONTROL POWER
SEE DWG K262-191 FOR OPT DR SW

CONNECTOR OR JACK

Relay 1 (Top)	8	1	Not Used
Relay Common	9	2	RS-485 (A)
Not Used	10	3	RS-485 (B)
Chassis Ground	11	4	Not Used
Transformer Center Tap	12	5	Relay 4 (Power Bottom)
Transformer Secondary	13	6	Relay 3 (Bottom)
Transformer Secondary	14	7	Relay 2 (Center)

Pin Listing of 14-Pin Connector

ELECTRICAL PARTS LIST			CUSTOMER PART NO.
1TB	1	POWER CONNECTION BOARD	L-G-PBLG/02
1TAS	1	BARTLETT DYNATROL	N-G-D300/00
J/C	3	THERMOCOUPLES (8 Ga)	T-G-E800/00
CR	3	POWER RELAYS	L-G-RL25/12
CONN	1	CABLE AND CONNECTOR FOR PANEL	L-G-CTFM/00
JACK	1	CABLE AND JACK FOR CONTROL	L-G-CTML/00
1FU	1	CONTROL FUSE	L-C-FS05/00
1FUB	1	PANEL MOUNT FUSE HOLDER	L-G-FSPB/00
1TGS	1	ON/OFF TOGGLE SWITCH	L-G-SWTG/00
XFRMR	1	STEP DOWN TRANSFORMER	L-G-TR24/00
15-18MOV	3	31 VOLT SURGE SUPPRESSORS	L-G-MOV0/00
C	3	POWER CONTACTORS	L-G-RL50/30
1-14MOV	9	250 VOLTS SURGE SUPPRESSORS	L-G-MOV1/00
FU	6	ELEMENT FUSES	L-G-FS50/NL
FUB	3	ELEMENT FUSE BLOCKS	L-G-FH60/20
R	3	SINGLE RECEPTACLE NEMA 6-50R	L-G-SR50/00
2TAS	1 (OPT)	DAWSON KILN SITTER	N-G-LT30/00
2TAS	1 (OPT)	50 HZ DAWSON KILN SITTER	N-G-LT30/50

DATE	03/06/2000	SCALE	1 = 8
CHK	G.D.L.	APP	
JOB NO		SER NO	
FILE NAME	L:\E\KILN\WIRING\GCTL		MADE FROM
	K264-154.dwg		IDAVIN\CK105-153.dwg

hotkilns.com

505 SHARPTOWN ROAD
SWEDESBORO, NJ 08085

PHONE: (856) 294-0077
FAX: (856) 294-0070

**CONTROL WIRING DIAGRAM
WITH HAND-HELD DYNA-TROL**

For 3 Phase KILN with (3) 50 Amp Sections
Branch Circuit Fusing / No Power Bottom

DRAWN BY	REV. CODE	DRAWING NO.
G.D.L.	A	K264-154