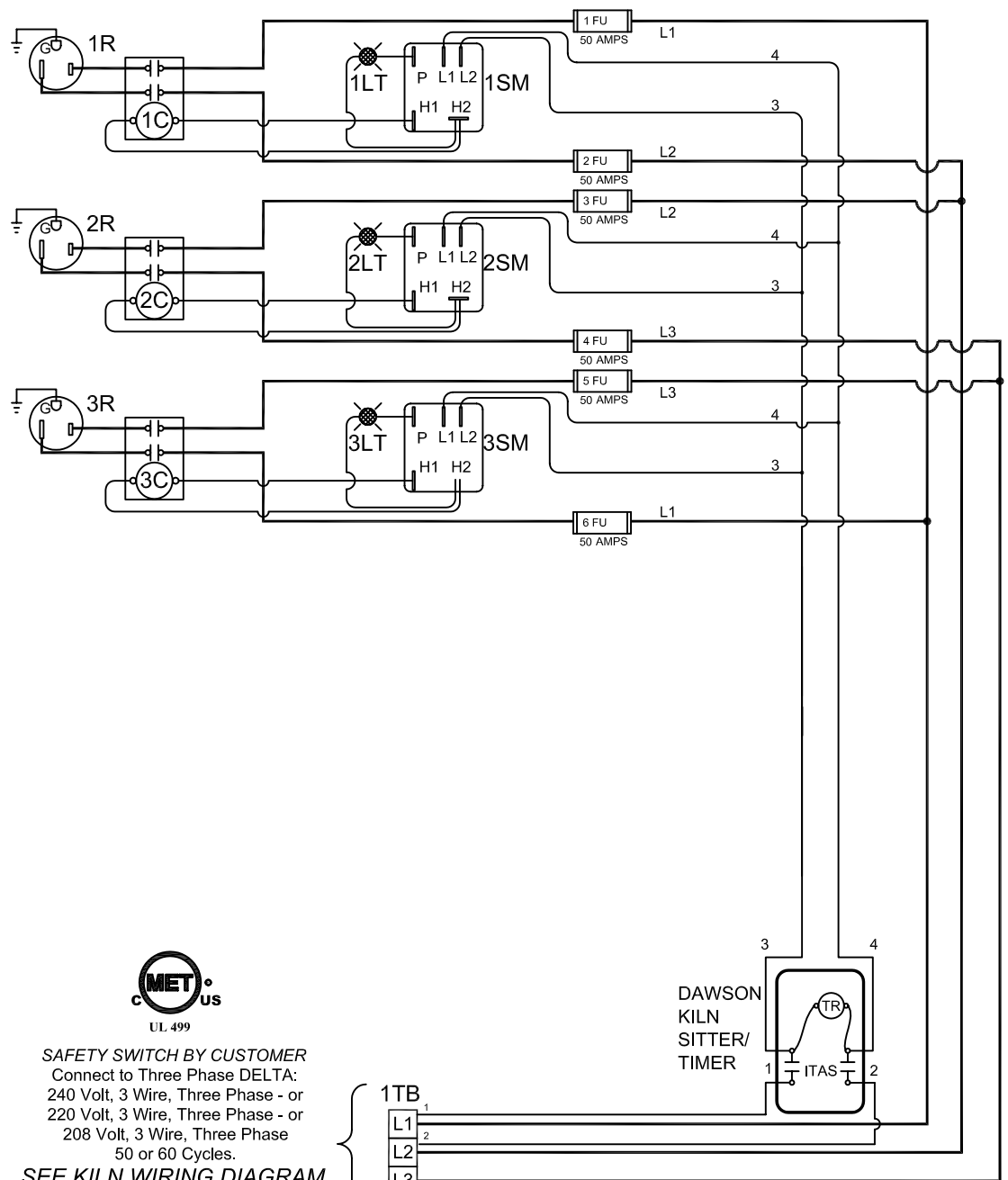


**USE WITH FOLLOWING KILN ASSEMBLIES:**

MODEL	WIRING DIAGRAM
X2827	K120-110
X3227	K127-110
T2327	K133-110
T3427	K139-110



SEE KILN WIRING DIAGRAM

PLUG KILN SECTION CAPS INTO RESPECTIVE RECEPTACLES

**NOTES:**

Control Wire:  
14 AWG, SEWF, 150°C  
Power Wire:  
6 AWG, SEWF, 150°C

Industrial & commercial applications may require the installation of a LOCKOUT/TAGOUT device to prevent the Kiln from operating during maintenance.

This Kiln is recommended to be wired & connected to an approved U. L. & NEC configured disconnect switch and properly fused according to the KW load load specification listed on the Kiln Nameplate. L&L Kiln Mfg., Inc., also recommends fuses rather than circuit breakers to prevent nuisance tripping.



**SAFETY SWITCH BY CUSTOMER**  
Connect to Three Phase DELTA:  
240 Volt, 3 Wire, Three Phase - or  
220 Volt, 3 Wire, Three Phase - or  
208 Volt, 3 Wire, Three Phase  
50 or 60 Cycles.

**SEE KILN WIRING DIAGRAM FOR POWER REQUIREMENTS**

SWITCHING CAPACITY = 70 AMPS MAXIMUM

**ELECTRICAL PARTS LIST**

SYMBOL	QTY	DESCRIPTION	CUSTOMER PART NO.
1TB	1	POWER CONNECTION BOARD	L-G-PBLG/02
1TAS	1	DAWSON KILN SITTER	N-G-LT30/00
1TAS	1 (OPT)	50 HZDAWSON KILN SITTER	N-G-LT30/50
SM	3	INPUT ZONE SWITCHES	L-J-INF0/30
LT	3	INPUT ZONE PILOT LIGHTS	L-G-PIL0/00
C	3	POWER RELAYS	L-G-RL50/30
R	3	SINGLE RECEPTACLE NEMA 6-50R	L-G-SR50/00
FU(B)	3	ELEMENT BRANCH CIRCUIT FUSEBLOCKS	L-G-FH60/20
FU(S)	6	ELEMENT BRANCH CIRCUIT FUSES	L-G-FS50/NL

REV#	DATE	REVISION DESCRIPTION
A	7/6/09	REPLACED UL MARK WITH MET CERTIFIED MARK & ADDED NEW LOGO
0	10/1/02	MISC CORRECTIONS FOR RELEASE

**L Kilns**  
hotkilns.com  
505 SHARPTOWN ROAD  
SWEDESBORO, NJ 08085  
PHONE: (856) 294-0077  
FAX: (856) 294-0070

TITLE **CONTROL WIRING DIAGRAM WITH MANUAL INPUT SWITCHES**  
For 3 Phase Kiln with (3) 50 Amp Sections  
Branch Circuit Fusing / No Power Bottom

DRAWN BY <b>G.D.L.</b>	REV. CODE <b>A</b>	DRAWING NO. <b>K264-104</b>
DATE <b>4/9/01</b>	SCALE <b>1 = 8</b>	
CHK <b>G.D.L.</b>	APP	
JOB NO	SER NO	SHEET NO. <b>1</b> OF <b>1</b>
FILE NAME <b>L:\EVLKILN\WIRING\GCTL\K264-104.dwg</b>	MADE FROM	DAVINCI\K105-103.dwg