

USE WITH FOLLOWING KILN ASSEMBLIES:

MODEL	WIRING DIAGRAM
J245-PB	K039-111
J2945-PB	K045-111
.	.
.	.

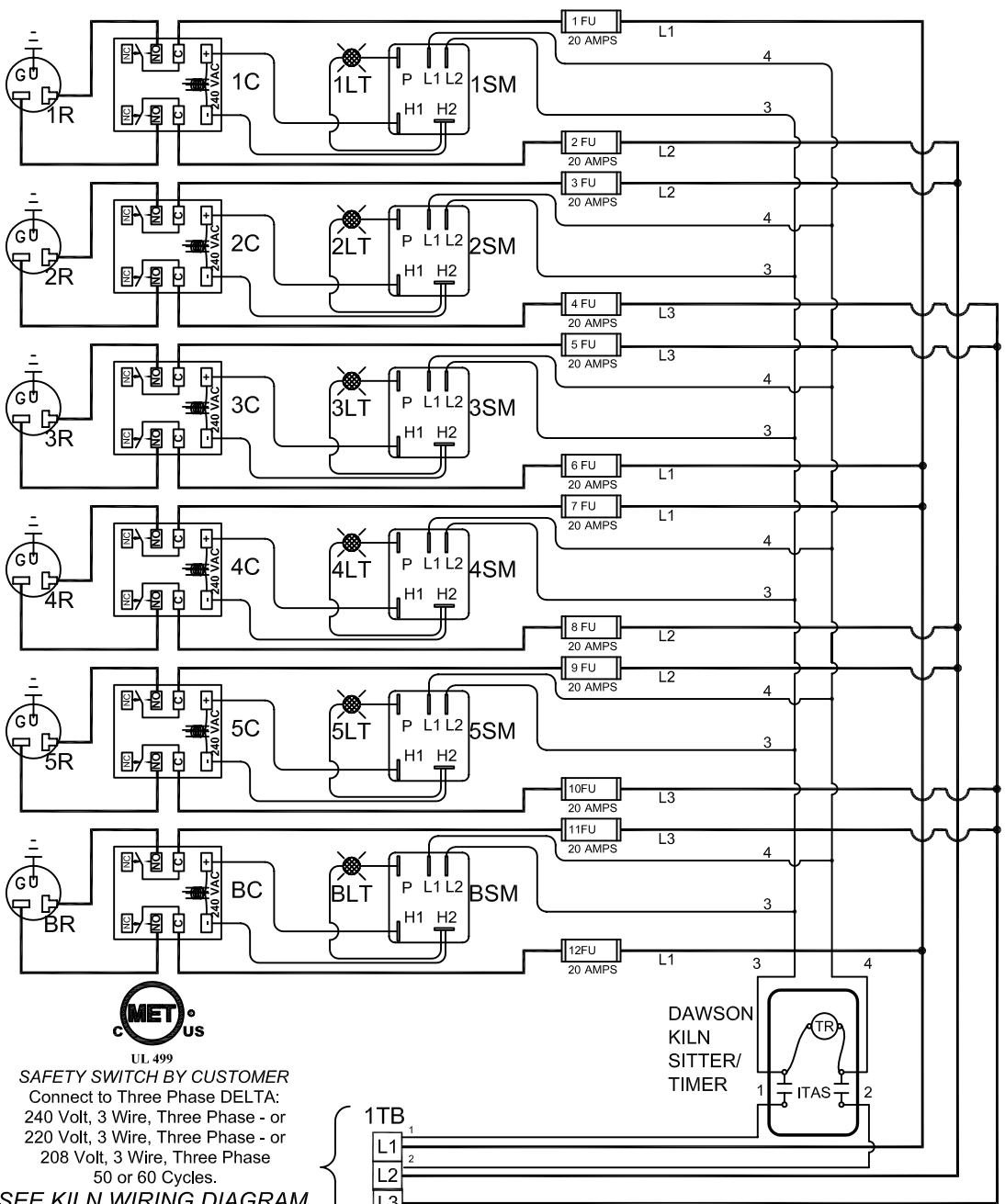
SEE KILN WIRING DIAGRAM
 PLUG KILN SECTION CAPS INTO RESPECTIVE RECEPTACLES

NOTES:

Control Wire:
 14 AWG, SEWF, 150°C
 Power Wire:
 14 AWG, SEWF, 150°C

Industrial & commercial applications may require the installation of a LOCKOUT/TAGOUT device to prevent the Kiln from operating during maintenance.

This Kiln is recommended to be wired & connected to an approved U. L. & NEC configured disconnect switch and properly fused according to the KW load load specification listed on the Kiln Nameplate. L&L Kiln Mfg., Inc., also recommends fuses rather than circuit breakers to prevent nuisance tripping.



UL 499
SAFETY SWITCH BY CUSTOMER
 Connect to Three Phase DELTA:
 240 Volt, 3 Wire, Three Phase - or
 220 Volt, 3 Wire, Three Phase - or
 208 Volt, 3 Wire, Three Phase
 50 or 60 Cycles.

SEE KILN WIRING DIAGRAM FOR POWER REQUIREMENTS

SWITCHING CAPACITY = 70 AMPS MAXIMUM

ELECTRICAL PARTS LIST

SYMBOL	QTY	DESCRIPTION	CUSTOMER PART NO.
1TB	1	POWER CONNECTION BOARD	L-J-PBLG/02
1TAS	1	DAWSON KILN SITTER	N-G-LT30/00
1TAS	1 (OPT)	50 HZDAWSON KILN SITTER	N-G-LT30/50
SM	6	INPUT ZONE SWITCHES	L-J-INF0/30
LT	6	INPUT ZONE PILOT LIGHTS	L-G-PIL0/00
C	6	POWER RELAYS	L-G-RL25/30
R	6	SINGLE RECEPTACLE NEMA 6-20R	L-J-SR20/00
FU(B)	6	ELEMENT BRANCH CIRCUIT FUSEBLOCKS	L-G-FH30/20
FU(S)	12	ELEMENT BRANCH CIRCUIT FUSES	L-G-FS30/NL

REV#	DATE	REVISION DESCRIPTION
A	7/1/09	REPLACED UL MARK WITH MET CERTIFIED MARK & ADDED NEW LOGO
0	10/1/02	MISC CORRECTIONS FOR RELEASE

L&L Kilns
 hotkilns.com
 505 SHARPTOWN ROAD
 SWEDESBORO, NJ 08085
 PHONE: (856) 294-0077
 FAX: (856) 294-0070

TITLE: **CONTROL WIRING DIAGRAM WITH MANUAL INPUT SWITCHES**
 For 3 Phase KILN with (5) 20 Amp Sections
 Branch Circuit Fusing / 20 Amp Power Bottom

DRAWN BY	G.W.L.	REV. CODE	A	DRAWING NO.	K263-110
DATE	2/8/01	SCALE	1 = 8		
CHK	G.D.L.	APP			
JOB NO.		SER NO.		SHEET NO.	1 OF 1
FILE NAME	L:\EVL\KILN\WIRING\GCTL\K263-110.dwg		MADE FROM	J:\SERIES\K043-103.dwg	