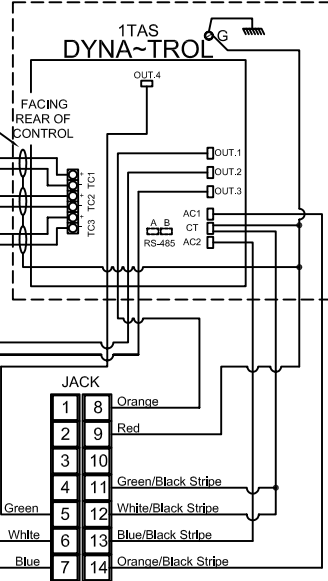


**USE WITH FOLLOWING KILN ASSEMBLIES:**

MODEL	WIRING DIAGRAM
X2345-D	K115-110

**HAND HELD CONTROL**



**NOTES:**  
Industrial & commercial applications may require the installation of a LOCKOUT/TAGOUT device to prevent the Kiln from operating during maintenance.

This Kiln is recommended to be wired & connected to an approved U. L. & NEC configured disconnect switch and properly fused according to the KW load specification listed on the Kiln Nameplate. L&L Kiln Mfg., Inc., also recommends fuses rather than circuit breakers to prevent nuisance tripping.

**CONNECTOR OR JACK**

Relay 1 (Top)	8	1	Not Used
Relay Common	9	2	RS-485 (A)
Not Used	10	3	RS-485 (B)
Chassis Ground	11	4	Not Used
Transformer Center Tap	12	5	Relay 4 (Power Bottom)
Transformer Secondary	13	6	Relay 3 (Bottom)
Transformer Secondary	14	7	Relay 2 (Center)

Pin Listing of 14-Pin Connector

© : TERMINATION POINTS FOR OPTIONS  
SEE DWG K262-190 FOR OPT 120V CONTROL POWER  
SEE DWG K262-191 FOR OPT DR SW

**SAFETY SWITCH BY CUSTOMER**  
Connect to Three Phase DELTA:  
240 Volt, 3 Wire, Three Phase - or  
220 Volt, 3 Wire, Three Phase - or  
208 Volt, 3 Wire, Three Phase  
50 or 60 Cycles.

SEE KILN WIRING DIAGRAM  
FOR POWER REQUIREMENTS  
SWITCHING CAPACITY =  
70 AMPS MAXIMUM



**ELECTRICAL PARTS LIST**

SYMBOL	QTY	DESCRIPTION	CUSTOMER PART NO.
1TB	1	POWER CONNECTION BOARD	L-J-PBLG/02
1TAS	1	BARTLETT DYNATROL	N-G-D300/00
T/C.	3	THERMOCOUPLES (8 Ga)	T-G-E800/00
CONN	1	CABLE AND CONNECTOR FOR PANEL	L-G-CTFM/00
JACK	1	CABLE AND JACK FOR CONTROL	L-G-CTML/00
1FU	1	CONTROL FUSE	L-C-FS05/00
1FUB	1	PANEL MOUNT FUSE HOLDER	L-G-FSPB/00
1TGS	1	ON/OFF TOGGLE SWITCH	L-G-SWTG/00
XFRMR	1	STEP DOWN TRANSFORMER	L-G-TR24/LG
1-5MOV	5	31 VOLT SURGE SUPPRESSORS	L-G-MOV0/00
C	5	POWER RELAYS	L-G-RL25/12
FU	10	ELEMENT FUSES	L-G-FS30/NL
FUB	5	ELEMENT FUSE BLOCKS	L-G-FH30/20
R	5	SINGLE RECEPTACLE NEMA 6-20R	L-G-SR20/00
2TAS	1 (OPT)	DAWSON KILN SITTER	N-G-LT30/00
2TAS	1 (OPT)	50 HZDAWSON KILN SITTER	N-G-LT30/50

**L Kilns**  
hotkilns.com

505 SHARPTOWN ROAD  
SWEDESBORO, NJ 08085  
PHONE: (856) 294-0077  
FAX: (856) 294-0070

**TITLE**  
**CONTROL WIRING DIAGRAM**  
**WITH HAND-HELD DYNA-TROL**  
For 3 Phase KILN with (5) 20 Amp Sections  
Branch Circuit Fusing / No Power Bottom

DRAWN BY <b>G.D.L.</b>	REV. CODE <b>A</b>	DRAWING NO. <b>K262-166</b>
DATE <b>1/25/01</b>	SCALE <b>1 = 8</b>	
CHK <b>G.D.L.</b>	APP	
JOB NO	SER NO	SHEET NO.   OF
FILE NAME L:\E\11KILN\WIRING\K262-166.dwg	MADE FROM	USERIES\K038-151.dwg