

USE WITH FOLLOWING KILN ASSEMBLIES:

MODEL	WIRING DIAGRAM
JD230S	K037-112
JD2918	K042-110
JD2927	K043-110

SEE KILN WIRING DIAGRAM

PLUG KILN SECTION CAPS INTO RESPECTIVE RECEPTACLES

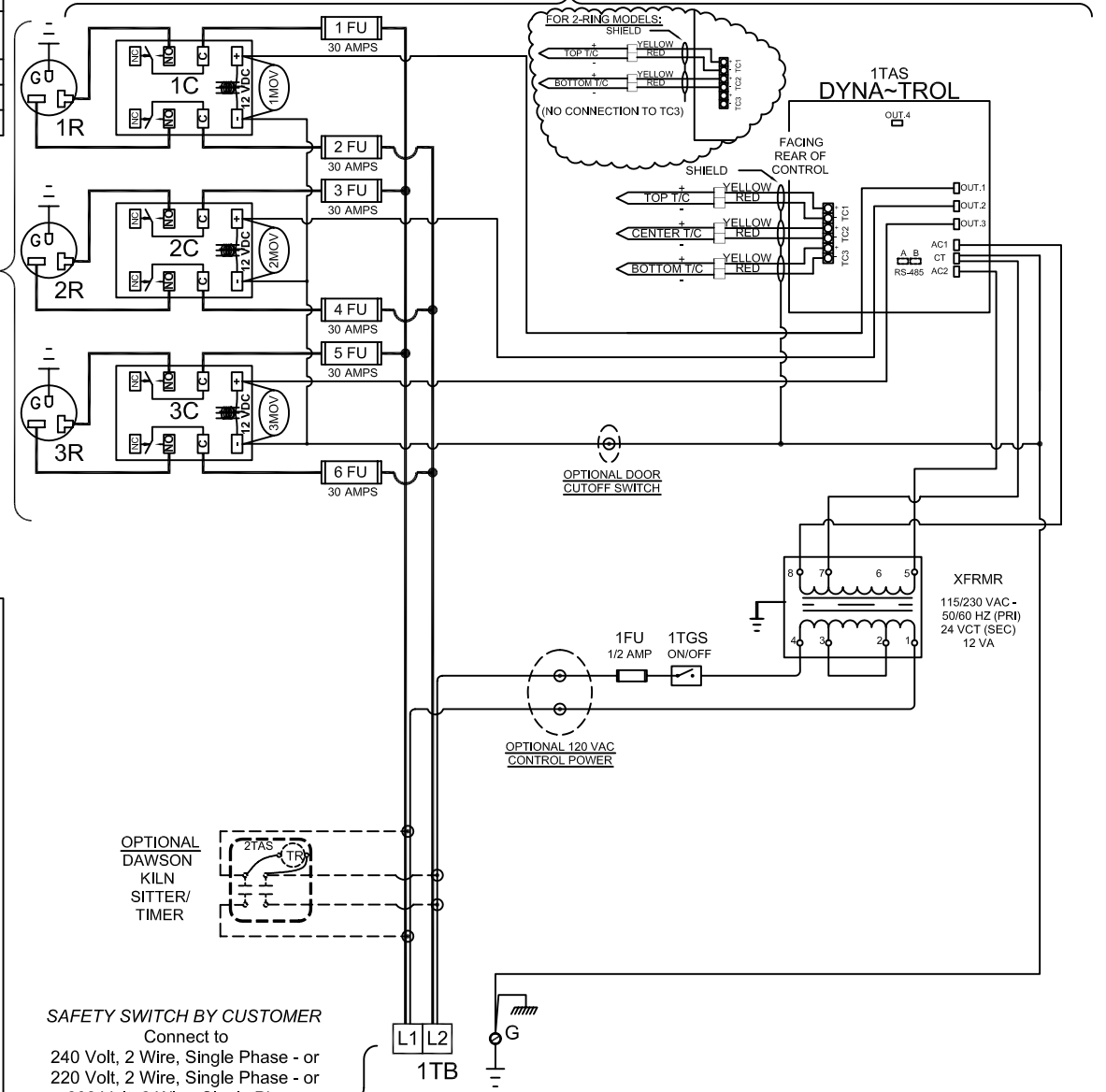
NOTES:

Control Wire:
14 AWG, SEWF, 105°C
Power Wire:
14 AWG, SEWF, 105°C

Industrial & commercial applications may require the installation of a LOCKOUT/TAGOUT device to prevent the Kiln from operating during maintenance.

This Kiln is recommended to be wired & connected to an approved U. L. & NEC configured disconnect switch and properly fused according to the KW load load specification listed on the Kiln Nameplate. L&L Kiln Mfg., Inc., also recommends fuses rather than circuit breakers to prevent nuisance tripping.

PANEL ASSEMBLY



OPTIONAL DAWSON KILN SITTER/TIMER

SAFETY SWITCH BY CUSTOMER
Connect to
240 Volt, 2 Wire, Single Phase - or
220 Volt, 2 Wire, Single Phase - or
208 Volt, 2 Wire, Single Phase
50 or 60 Cycles.

SEE KILN WIRING DIAGRAM FOR POWER REQUIREMENTS
SWITCHING CAPACITY =
60 AMPS MAXIMUM



⊙ : TERMINATION POINTS FOR OPTIONS
SEE DWG K262-190 FOR OPT 120V CONTROL POWER
SEE DWG K262-191 FOR OPT DR SW

ELECTRICAL PARTS LIST

SYMBOL	QTY	DESCRIPTION	CUSTOMER PART NO.
1TB	1	POWER CONNECTION BOARD	L-J-PBLG/01
1TAS	1	BARTLETT DYNATROL	N-G-D300/00
T/C.	3	THERMOCOUPLES (8 Ga)	T-G-E800/00
C	3	POWER RELAYS	L-G-RL25/12
FU(B)	3	ELEMENT BRANCH CIRC FUSEBLOCKS	L-G-FH30/20
FU(S)	6	ELEMENT BRANCH CIRCUIT FUSES	L-G-FS30/NL
1-3MOV	3	31 VOLT SURGE SUPPRESSORS	L-G-MOV0/00
1FU	1	CONTROL FUSE	L-C-FS05/00
1FUB	1	PANEL MOUNT FUSE HOLDER	L-G-FSPB/00
1TGS	1	ON/OFF TOGGLE SWITCH	L-G-SWTG/00
XFRMR	1	STEP DOWN TRANSFORMER	L-G-TR24/00
R	3	SINGLE RECEPTACLE NEMA 6-20R	L-J-SR20/00
2TAS	1 (OPT)	DAWSON KILN SITTER	N-G-LT30/00
2TAS	1 (OPT)	50 HZ DAWSON KILN SITTER	N-G-LT30/50

REV#	DATE	REVISION DESCRIPTION
A	6/16/09	REPLACED UL MARK WITH MET CERTIFIED MARK & ADDED NEW LOGO
0	9/13/02	MISC CHANGES FOR RELEASE

L&L Kilns
hotkilns.com

505 SHARPTOWN ROAD
SWEDESBORO, NJ 08085

PHONE: (856) 294-0077
FAX: (856) 294-0070

TITLE
CONTROL WIRING DIAGRAM
WITH PANEL MOUNTED DYNA-TROL
For 1 Phase KILN with (3) 20 Amp Sections
Branch Circuit Fusing / No Power Bottom

DRAWN BY **G.D.L.** REV. CODE **A** DRAWING NO. **K262-153**

DATE **10/20/99** SCALE **1 = 8**

CHK **G.D.L.** APP

JOB NO. SER NO. SHEET NO. **1** OF **1**

FILE NAME **L:\EVLKILN\WIRING\GCTL K262-153.dwg** MADE FROM **JSERIES\K043-150.dwg**