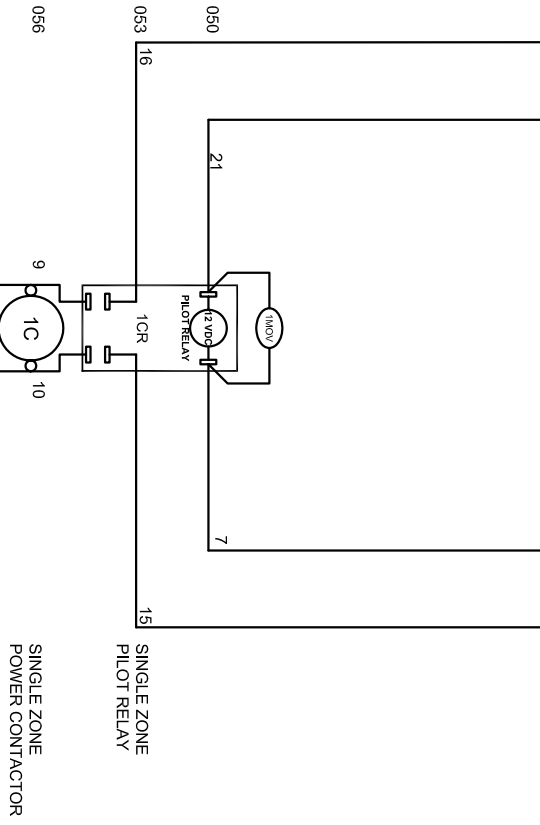
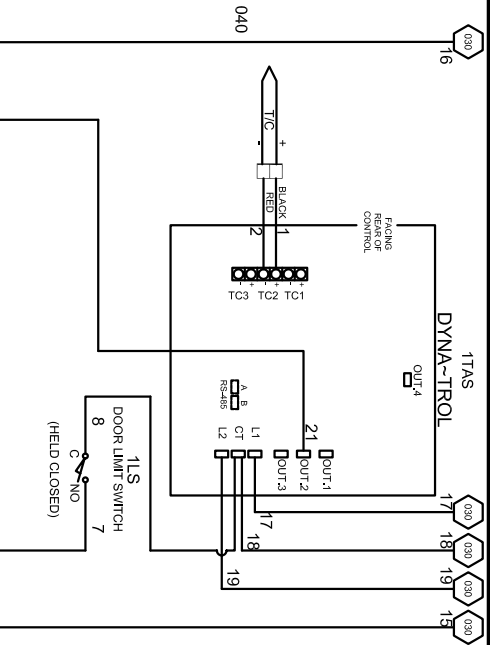
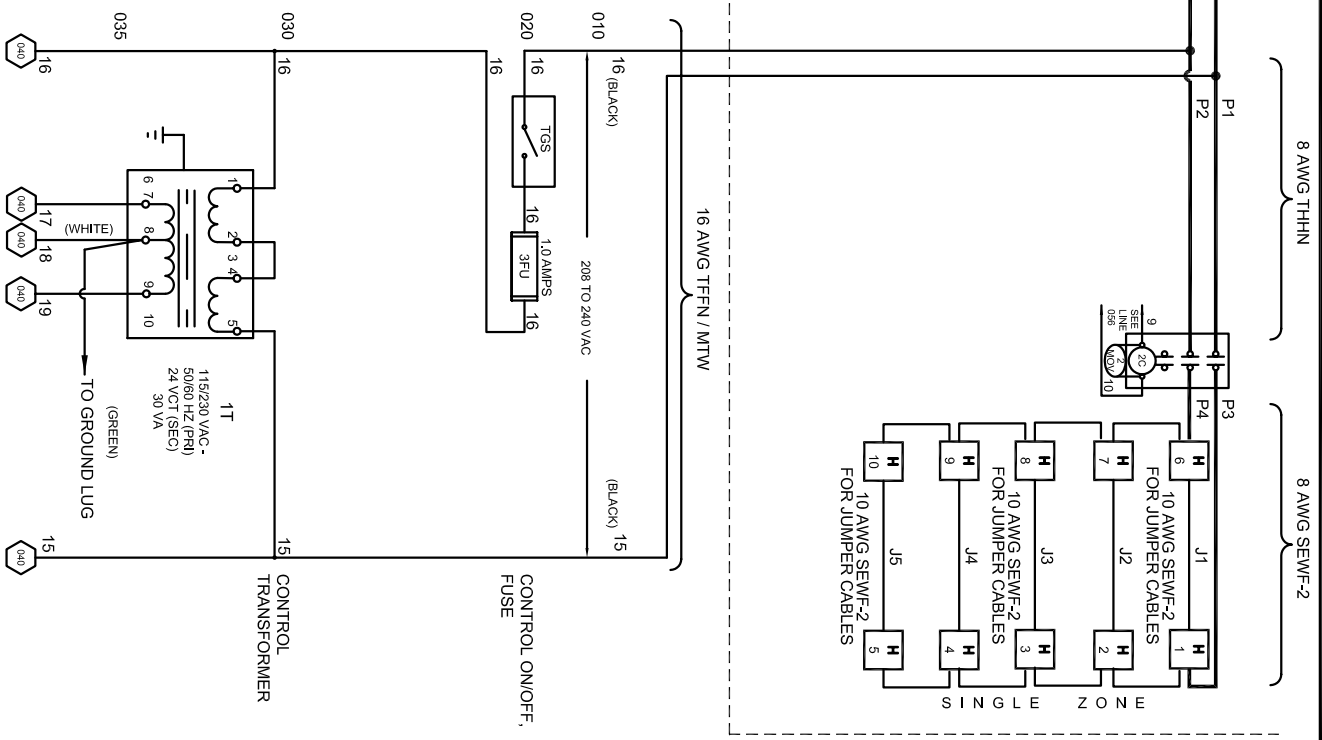


**SAFETY SWITCH BY CUSTOMER**  
 Connect to 208 OR 240 Volt, 1 Phase  
 50 or 60 Cycles.  
 SEE POWER  
 REQUIREMENT TABLE

POWER REQUIREMENTS	
VOLTAGE	208 / 1 / 60
KW	9.95
H.P.	N/A
FULL LOAD AMPS	L1   L2   L3 48.0   48.0   1.0
POWER REQUIREMENTS	
VOLTAGE	240 / 1 / 60
KW	10.00
H.P.	N/A
FULL LOAD AMPS	L1   L2   L3 41.8   41.8   1.0

WIRE IDENTIFICATION IS  
 ALSO PIN NUMBER FOR  
 16-PIN CONNECTOR.



DRAWING NO. **K241-152**

SHEET OF **1/2**

REV **0**

DATE **5/9/08**

SCALE **1 = 10**

DRAWN BY **G.D.L.**

**L & L SPECIAL FURNACE CO., INC**

30 EAST 20th St. 2nd Fl. New York, NY 10011

TITLE **RENAISSANCE R1624 WIRING DIAGRAM**

**208 or 240 Vac / 1 Phase / 50 or 60 HZ**

UL 499

MADE FROM **K241-152.dwg**

REV	DATE	DESCRIPTION

REVISIONS

REVISION DESCRIPTION

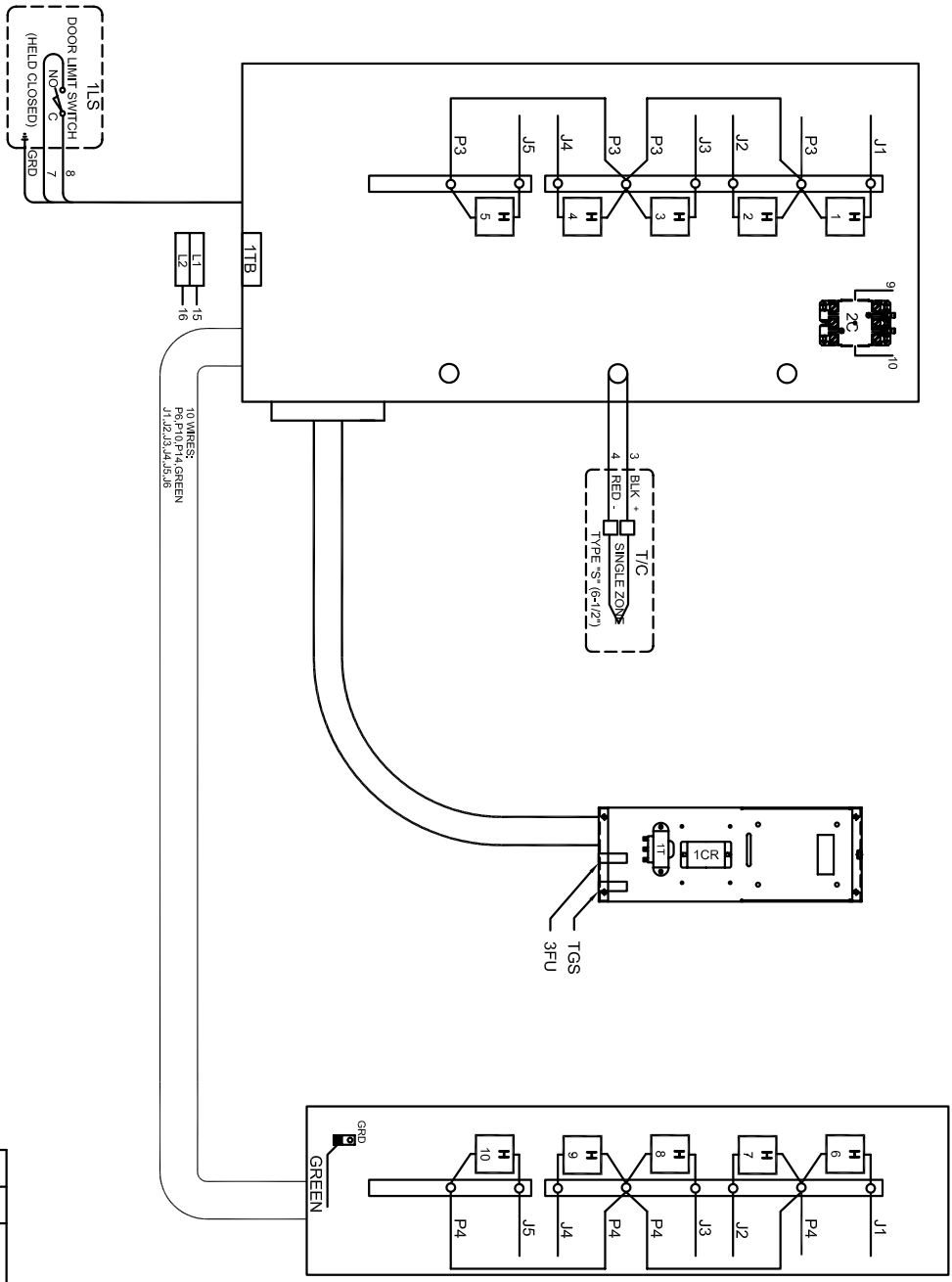
MADE FROM

**BOTTOM ZONE  
 POWER CONTACTOR**

**SINGLE ZONE  
 PILOT RELAY**

**SINGLE ZONE  
 POWER CONTACTOR**

- NOTES**
- 1) All electrical feeders & equipment will be supplied & installed by the customer; meeting requirements set by the local & national electrical code standards. L & L recommends any such installation be approved by a certified electrical inspector.
  - 2) For Kfins not equipped with a fused safety disconnect switch, L & L recommends the customer to install such equipment within 6 feet of operating furnace.
  - 3) Industrial & commercial applications may require the installation of a **LOCKOUT/TAGOUT** device to meet safety & maintenance requirements.
  - 6) Wire gauge and insulation of Power Wires and Control Circuit Wires are as marked.
  - 7) Power Wire Color is Black, and wires are numbered as marked.
  - 8) Control Circuit Wires are numbered as marked, and colors are:
    - WHITE = 8, 18
    - GRAY = 17
    - BROWN = 19
    - ORANGE = (Not Used)
    - BLUE = 21
    - PURPLE = (Not Used)
    - BLACK = 7, 9, 10, 16
    - RED = TC-2



DRAWING NO. **K241-152**

SHEET OF **2/2**

REV **0**

30 DAY 90 DAY 180 DAY 365 DAY

REVISED DATE

REVISION DESCRIPTION

SCALE **1 = 10**

DATE **5/9/08**

DRAWN BY **G.D.L.**

**L & L SPECIAL FURNACE CO., INC.**

**RENAISSANCE R1624 WIRING DIAGRAM**

**208 or 240 Vac / 1 Phase / 50 or 60 HZ**

FILE NAME: **L:\L\L\KLN1\RENAISSANCE\K241-152.dwg**

MADE FROM: **K241-150.dwg**