

**SINGLE PHASE MODELS:**

MODELS T3445 & T3445-D		
VOLTAGE	208 / 1 / 50-60	
KW	41.6	
FULL LOAD AMPS	L1	L2   L3
	199.8	199.8   X
POWER SUPPLY	FUSE	WIRE
	225A	350 MCM
ELEMENTS (E-T-3400/20)	QTY	OHMS
	15	15.6
VOLTAGE	220 / 1 / 50-60	
KW	41.6	
FULL LOAD AMPS	L1	L2   L3
	188.9	188.9   X
POWER SUPPLY	FUSE	WIRE
	225A	350 MCM
ELEMENTS (E-T-3400/40)	QTY	OHMS
	15	17.5
VOLTAGE	240 / 1 / 50-60	
KW	41.6	
FULL LOAD AMPS	L1	L2   L3
	173.2	173.2   X
POWER SUPPLY	FUSE	WIRE
	200A	250 MCM
ELEMENTS (E-T-3400/30)	QTY	OHMS
	15	20.8

**THREE PHASE MODELS:**

MODELS T3445 & T3445-D		
VOLTAGE	208 / 3 / 50-60	
KW	41.6	
FULL LOAD AMPS	L1	L2   L3
	103.8	138.4   103.8
POWER SUPPLY	FUSE	WIRE
	175A	4/0 AWG
ELEMENTS (E-T-3400/20)	QTY	OHMS
	15	15.6
VOLTAGE	220 / 3 / 50-60	
KW	41.6	
FULL LOAD AMPS	L1	L2   L3
	98.2	130.9   98.2
POWER SUPPLY	FUSE	WIRE
	175A	4/0 AWG
ELEMENTS (E-T-3400/40)	QTY	OHMS
	15	17.5
VOLTAGE	240 / 3 / 50-60	
KW	41.6	
FULL LOAD AMPS	L1	L2   L3
	90.0	120.0   90.0
POWER SUPPLY	FUSE	WIRE
	150A	2/0 AWG
ELEMENTS (E-T-3400/30)	QTY	OHMS
	15	20.8

**1 PHASE CONTROL PANELS:**

MODEL	(AUTO/MANUAL)	WIRING DIAGRAM
T3445	(MANUAL)	K264-107
T3445-D	(AUTO)	K264-157

**3 PHASE CONTROL PANELS:**

MODEL	(AUTO/MANUAL)	WIRING DIAGRAM
T3445	(MANUAL)	K264-108
T3445-D	(AUTO)	K264-158



**SEE CONTROL PANEL WIRING DIAGRAM FOR WIRING CONNECTIONS TO KILN ZONE RECEPTACLES**

**NOTES:**

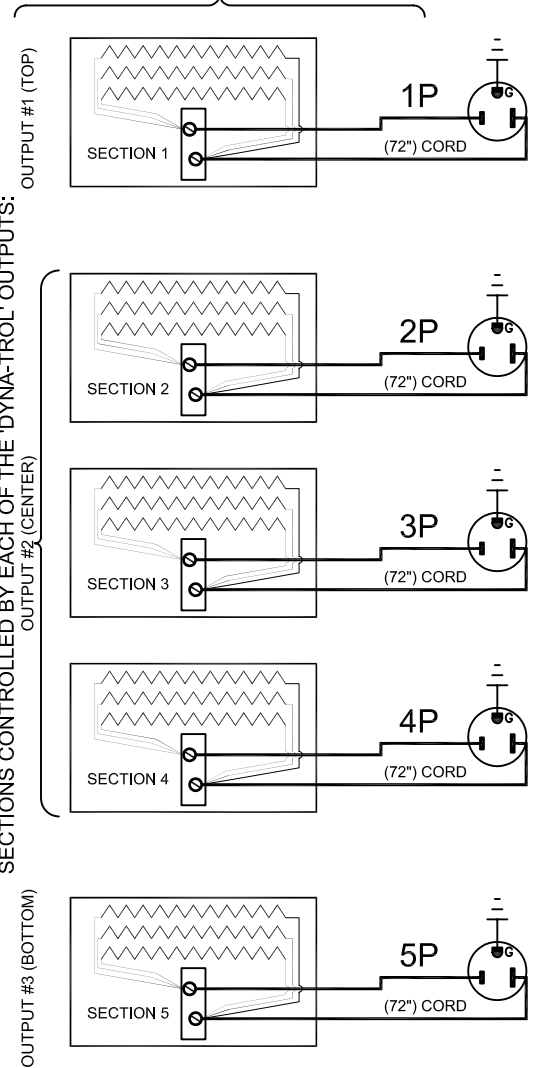
Industrial & commercial applications may require the installation of a LOCKOUT/TAGOUT device to prevent the Kiln from operating during maintenance.

This Kiln is recommended to be wired & connected to an approved U. L. & NEC configured disconnect switch and properly fused according to the KW load specification listed on the Kiln Nameplate. L&L Kiln Mfg., Inc., also recommends fuses rather than circuit breakers to prevent nuisance tripping.

**ELECTRICAL PARTS LIST**

SYMBOL	QTY	DESCRIPTION	CUSTOMER PART NO.
P	5	72" PLUGS NEMA 6-50P	L-G-PC50/72

**KILN ASSEMBLY**



Output Numbers refer to Dyna-Trol Outputs on Automatic Kilns only.



**CAUTION: DO NOT PLUG KILN SECTIONS DIRECTLY TO LINE VOLTAGE**

REV#	DATE	REVISION DESCRIPTION
A	6/29/09	REPLACED UL MARK WITH MET CERTIFIED MARK & ADDED NEW LOGO
0	9/25/02	MISC CHANGES FOR RELEASE

**L Kilns**  
hotkilns.com  
505 SHARPTOWN ROAD  
SWEDESBORO, NJ 08085  
PHONE: (856) 294-0077  
FAX: (856) 294-0070

TITLE **DaVINCI KILN WIRING DIAGRAM**  
**MODELS T3445 & T3445-D**  
**1 or 3 PHASE KILN ASSEMBLY**  
**5 SECTIONS, No Power Bottom**

DRAWN BY <b>G.W.L.</b>	REV. CODE <b>A</b>	DRAWING NO. <b>K141-110</b>
DATE <b>1/11/01</b>	SCALE <b>1 = 8</b>	
CHK <b>G.D.L.</b>	APP	
JOB NO	SER NO	SHEET NO.   OF
FILE NAME <b>L:\EVL\KILN\WIRING\DKLN\K141-110.dwg</b>	MADE FROM	DAVINCNK105-101.dwg