

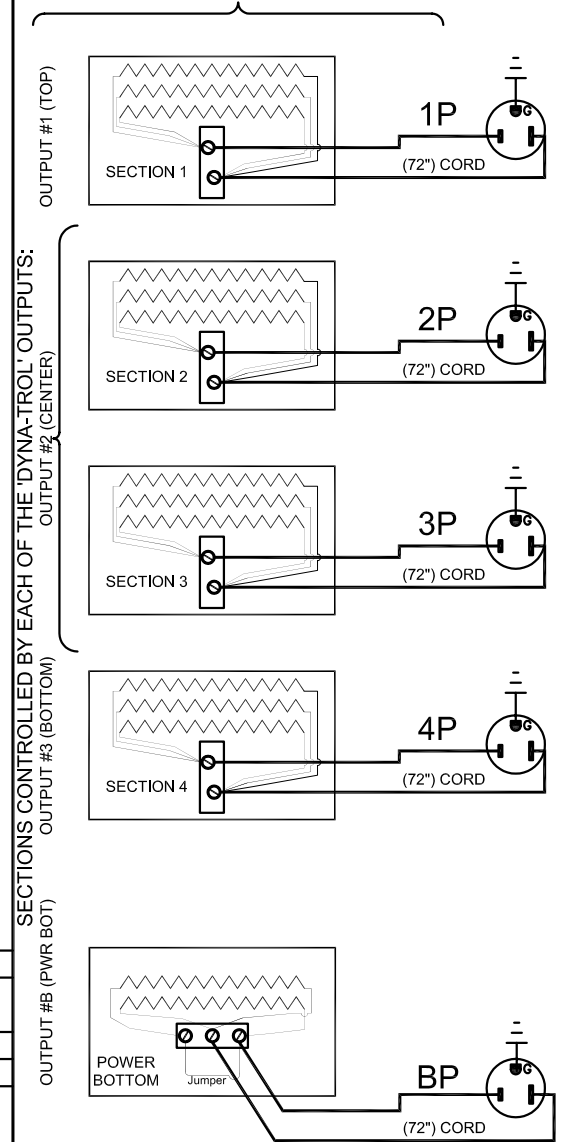
SINGLE PHASE MODELS:

MODELS TB3436-PB & TB3436-D-PB		
VOLTAGE	208 / 1 / 50-60	
KW	43.2	
FULL LOAD AMPS	L1	L2 L3
	207.6	207.6 X
POWER SUPPLY	FUSE	WIRE
	275A	400 MCM
ELEMENTS (E-T-3400/2L)	QTY	OHMS
	14	12.5
VOLTAGE	220 / 1 / 50-60	
KW	43.2	
FULL LOAD AMPS	L1	L2 L3
	196.3	196.3 X
POWER SUPPLY	FUSE	WIRE
	250A	350 MCM
ELEMENTS (E-T-3400/4L)	QTY	OHMS
	14	14.0
VOLTAGE	240 / 1 / 50-60	
KW	43.2	
FULL LOAD AMPS	L1	L2 L3
	180.0	180.0 X
POWER SUPPLY	FUSE	WIRE
	225A	350 MCM
ELEMENTS (E-T-3400/3L)	QTY	OHMS
	14	16.7

THREE PHASE MODELS:

MODELS TB3436-PB & TB3436-D-PB		
VOLTAGE	208 / 3 / 50-60	
KW	43.2	
FULL LOAD AMPS	L1	L2 L3
	139.3	117.4 102.9
POWER SUPPLY	FUSE	WIRE
	175A	4/0 AWG
ELEMENTS (E-T-3400/2L)	QTY	OHMS
	14	12.5
VOLTAGE	220 / 3 / 50-60	
KW	43.2	
FULL LOAD AMPS	L1	L2 L3
	131.7	111.0 97.3
POWER SUPPLY	FUSE	WIRE
	175A	4/0 AWG
ELEMENTS (E-T-3400/4L)	QTY	OHMS
	14	14.0
VOLTAGE	240 / 3 / 50-60	
KW	43.2	
FULL LOAD AMPS	L1	L2 L3
	120.7	101.7 89.2
POWER SUPPLY	FUSE	WIRE
	175A	4/0 AWG
ELEMENTS (E-T-3400/3L)	QTY	OHMS
	14	16.7

KILN ASSEMBLY



SECTIONS CONTROLLED BY EACH OF THE 'DYNA-TROL' OUTPUTS:

1 PHASE CONTROL PANELS:

3 PHASE CONTROL PANELS:

MODEL	(AUTO/MANUAL)	WIRING DIAGRAM	MODEL	(AUTO/MANUAL)	WIRING DIAGRAM
TB3436-PB	(MANUAL)	K265-105	TB3436-PB	(MANUAL)	K265-106
TB3436-D-PB	(AUTO)	K265-155	TB3436-D-PB	(AUTO)	K265-156



SEE CONTROL PANEL WIRING DIAGRAM FOR WIRING CONNECTIONS TO KILN ZONE RECEPTACLES

NOTES:

Industrial & commercial applications may require the installation of a LOCKOUT/TAGOUT device to prevent the Kiln from operating during maintenance.

This Kiln is recommended to be wired & connected to an approved U. L. & NEC configured disconnect switch and properly fused according to the KW load specification listed on the Kiln Nameplate. L&L Kiln Mfg., Inc., also recommends fuses rather than circuit breakers to prevent nuisance tripping.

Output Numbers refer to Dyna-Trol Outputs on Automatic Kilns only.



CAUTION: DO NOT PLUG KILN SECTIONS DIRECTLY TO LINE VOLTAGE

0	5/3/11	FIRST ISSUE
REV#	DATE	REVISION DESCRIPTION

LKilns
hotkilns.com
505 SHARPTOWN ROAD
SWEDESBORO, NJ 08085
PHONE: (856) 294-0077
FAX: (856) 294-0070

TITLE
DaVINCI KILN WIRING DIAGRAM
MODELS TB3436-PB & TB3436-D-PB
1 or 3 PHASE KILN ASSEMBLY
4 SECTIONS, With Power Bottom

DRAWN BY	B.N.M.		REV. CODE	DRAWING NO.
DATE	5/3/11	SCALE	1 = 8	0
CHK	S.J.L.	APP	.	
JOB NO.	SER NO.		SHEET NO. OF	
FILE NAME	VK140-113.dwg		MADE FROM	VK140-111.dwg

ELECTRICAL PARTS LIST

SYMBOL	QTY	DESCRIPTION	CUSTOMER PART NO.
P	5	72" PLUGS NEMA 6-50P	L-G-PC50/72