

SINGLE PHASE MODELS:

MODELS T3436 & T3436-D		
VOLTAGE	208 / 1 / 50-60	
KW	33.3	
FULL LOAD AMPS	L1	L2 L3
	159.9	159.9 X
POWER SUPPLY	FUSE	WIRE
	200A	250 MCM
ELEMENTS (E-T-3400/20)	QTY	OHMS
	12	15.6
VOLTAGE	220 / 1 / 50-60	
KW	33.3	
FULL LOAD AMPS	L1	L2 L3
	151.1	151.1 X
POWER SUPPLY	FUSE	WIRE
	200A	250 MCM
ELEMENTS (E-T-3400/40)	QTY	OHMS
	12	17.5
VOLTAGE	240 / 1 / 50-60	
KW	33.3	
FULL LOAD AMPS	L1	L2 L3
	138.5	138.5 X
POWER SUPPLY	FUSE	WIRE
	175A	4/0 AWG
ELEMENTS (E-T-3400/30)	QTY	OHMS
	12	20.8

THREE PHASE MODELS:

MODELS T3436 & T3436-D		
VOLTAGE	208 / 3 / 50-60	
KW	33.3	
FULL LOAD AMPS	L1	L2 L3
	103.8	103.8 69.2
POWER SUPPLY	FUSE	WIRE
	125A	1/0 AWG
ELEMENTS (E-T-3400/20)	QTY	OHMS
	12	15.6
VOLTAGE	220 / 3 / 50-60	
KW	33.3	
FULL LOAD AMPS	L1	L2 L3
	98.2	98.2 65.4
POWER SUPPLY	FUSE	WIRE
	125A	1/0 AWG
ELEMENTS (E-T-3400/40)	QTY	OHMS
	12	17.5
VOLTAGE	240 / 3 / 50-60	
KW	33.3	
FULL LOAD AMPS	L1	L2 L3
	90.0	90.0 60.0
POWER SUPPLY	FUSE	WIRE
	125A	1/0 AWG
ELEMENTS (E-T-3400/30)	QTY	OHMS
	12	20.8

1 PHASE CONTROL PANELS:

MODEL	(AUTO/MANUAL)	WIRING DIAGRAM
T3436	(MANUAL)	K264-105
T3436-D	(AUTO)	K264-155

3 PHASE CONTROL PANELS:

MODEL	(AUTO/MANUAL)	WIRING DIAGRAM
T3436	(MANUAL)	K264-106
T3436-D	(AUTO)	K264-156



SEE CONTROL PANEL WIRING DIAGRAM FOR WIRING CONNECTIONS TO KILN ZONE RECEPTACLES

NOTES:

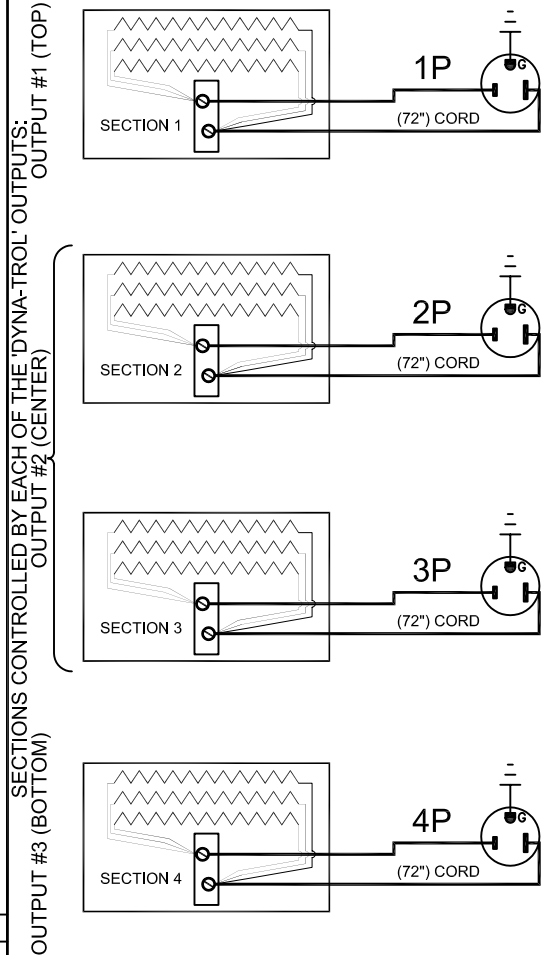
Industrial & commercial applications may require the installation of a LOCKOUT/TAGOUT device to prevent the Kiln from operating during maintenance.

This Kiln is recommended to be wired & connected to an approved U. L. & NEC configured disconnect switch and properly fused according to the KW load specification listed on the Kiln Nameplate. L&L Kiln Mfg., Inc., also recommends fuses rather than circuit breakers to prevent nuisance tripping.

ELECTRICAL PARTS LIST

SYMBOL	QTY	DESCRIPTION	CUSTOMER PART NO.
P	4	72" PLUGS NEMA 6-50P	L-G-PC50/72

KILN ASSEMBLY



Output Numbers refer to Dyna-Trol Outputs on Automatic Kilns only.



CAUTION: DO NOT PLUG KILN SECTIONS DIRECTLY TO LINE VOLTAGE

REV#	DATE	REVISION DESCRIPTION
A	6/29/09	REPLACED UL MARK WITH MET CERTIFIED MARK & ADDED NEW LOGO
0	9/25/02	MISC CHANGES FOR RELEASE



505 SHARPTOWN ROAD
SWEDESBORO, NJ 08085
PHONE: (856) 294-0077
FAX: (856) 294-0070

TITLE **DaVINCI KILN WIRING DIAGRAM**
MODELS T3436 & T3436-D
1 or 3 PHASE KILN ASSEMBLY
4 SECTIONS, No Power Bottom

DRAWN BY	G.W.L.	REV. CODE	A	DRAWING NO.	K140-110
DATE	1/11/01	SCALE	1 = 8		
CHK	G.D.L.	APP			
JOB NO.		SER NO.		SHEET NO.	1 OF 1
FILE NAME	L:\EVL\KILN\WIRING\DKLN		MADE FROM	DAVINCIK105-101.dwg	
	IK140-110.dwg				