

SINGLE PHASE MODELS:

MODELS T3427-PB & T3427-D-PB		
VOLTAGE	208 / 1 / 50-60	
KW	30.5	
FULL LOAD AMPS	L1 L2 L3	
	146.5 146.5 X	
POWER SUPPLY	FUSE WIRE	
	175A 4/0 AWG	
ELEMENTS (E-T-3400/20)	QTY OHMS	
	11 15.6	
VOLTAGE	220 / 1 / 50-60	
KW	30.5	
FULL LOAD AMPS	L1 L2 L3	
	138.5 138.5 X	
POWER SUPPLY	FUSE WIRE	
	175A 4/0 AWG	
ELEMENTS (E-T-3400/40)	QTY OHMS	
	11 17.5	
VOLTAGE	240 / 1 / 50-60	
KW	30.5	
FULL LOAD AMPS	L1 L2 L3	
	127.0 127.0 X	
POWER SUPPLY	FUSE WIRE	
	150A 2/0 AWG	
ELEMENTS (E-T-3400/30)	QTY OHMS	
	11 20.8	

THREE PHASE MODELS:

MODELS T3427-PB & T3427-D-PB		
VOLTAGE	208 / 3 / 50-60	
KW	30.5	
FULL LOAD AMPS	L1 L2 L3	
	92.3 69.2 92.3	
POWER SUPPLY	FUSE WIRE	
	125A 1/0 AWG	
ELEMENTS (E-T-3400/20)	QTY OHMS	
	11 15.6	
VOLTAGE	220 / 3 / 50-60	
KW	30.5	
FULL LOAD AMPS	L1 L2 L3	
	87.3 65.4 87.3	
POWER SUPPLY	FUSE WIRE	
	125A 1/0 AWG	
ELEMENTS (E-T-3400/40)	QTY OHMS	
	11 17.5	
VOLTAGE	240 / 3 / 50-60	
KW	30.5	
FULL LOAD AMPS	L1 L2 L3	
	80.0 60.0 80.0	
POWER SUPPLY	FUSE WIRE	
	100A 1 AWG	
ELEMENTS (E-T-3400/30)	QTY OHMS	
	11 20.8	

1 PHASE CONTROL PANELS:

MODEL	(AUTO/MANUAL)	WIRING DIAGRAM
T3427-PB	(MANUAL)	K265-103
T3427-D-PB	(AUTO)	K265-153

3 PHASE CONTROL PANELS:

MODEL	(AUTO/MANUAL)	WIRING DIAGRAM
T3427-PB	(MANUAL)	K265-104
T3427-D-PB	(AUTO)	K265-154



SEE CONTROL PANEL WIRING DIAGRAM FOR WIRING CONNECTIONS TO KILN ZONE RECEPTACLES

NOTES:

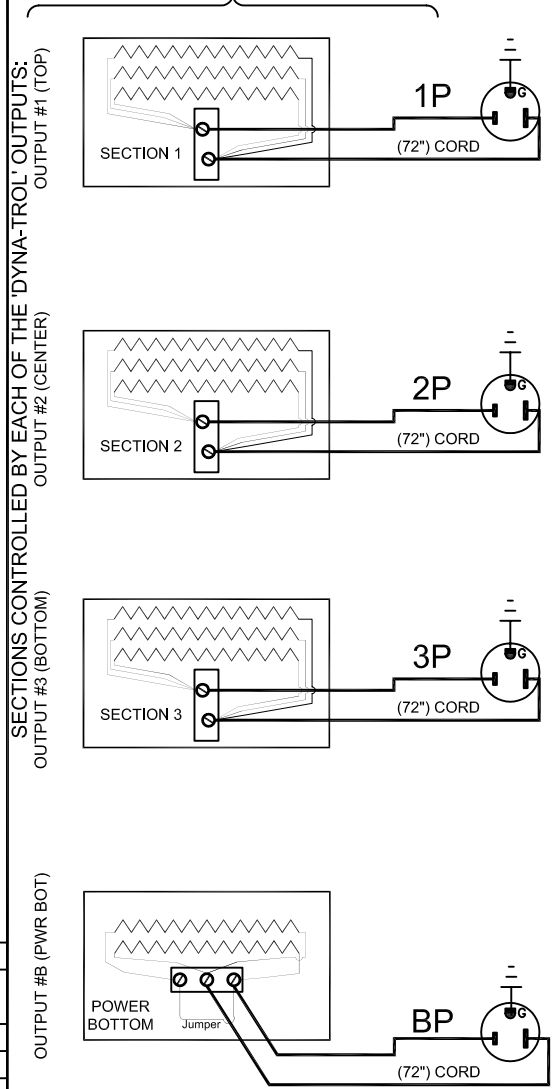
Industrial & commercial applications may require the installation of a LOCKOUT/TAGOUT device to prevent the Kiln from operating during maintenance.

This Kiln is recommended to be wired & connected to an approved U. L. & NEC configured disconnect switch and properly fused according to the KW load specification listed on the Kiln Nameplate. L&L Kiln Mfg., Inc., also recommends fuses rather than circuit breakers to prevent nuisance tripping.

ELECTRICAL PARTS LIST

SYMBOL	QTY	DESCRIPTION	CUSTOMER PART NO.
P	4	72" PLUGS NEMA 6-50P	L-G-PC50/72

KILN ASSEMBLY



Output Numbers refer to Dyna-Trol Outputs on Automatic Kilns only.



CAUTION: DO NOT PLUG KILN SECTIONS DIRECTLY TO LINE VOLTAGE

REV#	DATE	REVISION DESCRIPTION
A	6/29/09	REPLACED UL MARK WITH MET CERTIFIED MARK & ADDED NEW LOGO
0	9/25/02	MISC CHANGES FOR RELEASE

L Kilns
hotkilns.com
505 SHARPTOWN ROAD
SWEDESBORO, NJ 08085
PHONE: (856) 294-0077
FAX: (856) 294-0070

TITLE: **DaVINCI KILN WIRING DIAGRAM**
MODELS T3427-PB & T3427-D-PB
1 or 3 PHASE KILN ASSEMBLY
3 SECTIONS, With Power Bottom

DRAWN BY	G.W.L.	REV. CODE	A	DRAWING NO.	K139-111
DATE	4/16/01	SCALE	1 = 8		
CHK	G.D.L.	APP			
JOB NO.		SER NO.		SHEET NO.	1 OF 1
FILE NAME	L:\EVL\KILN\WIRDGKLN	MADE FROM			DAVINCNK105-102.dwg
	IK139-111.dwg				