

SINGLE PHASE MODELS:

MODELS T2345-PB & T2345-D-PB		
VOLTAGE	208 / 1 / 50-60	
KW	36.9	
FULL LOAD AMPS	L1 L2 L3	
	177.2 177.2 X	
POWER SUPPLY	FUSE WIRE	
	200A 250 MCM	
ELEMENTS (E-T-2300/20)	QTY OHMS	
	17 20.0	
VOLTAGE	220 / 1 / 50-60	
KW	36.9	
FULL LOAD AMPS	L1 L2 L3	
	167.5 167.5 X	
POWER SUPPLY	FUSE WIRE	
	200A 250 MCM	
ELEMENTS (E-T-2300/40)	QTY OHMS	
	17 22.3	
VOLTAGE	240 / 1 / 50-60	
KW	36.9	
FULL LOAD AMPS	L1 L2 L3	
	153.5 153.5 X	
POWER SUPPLY	FUSE WIRE	
	200A 250 MCM	
ELEMENTS (E-T-2300/30)	QTY OHMS	
	17 26.6	

THREE PHASE MODELS:

MODELS T2345-PB & T2345-D-PB		
VOLTAGE	208 / 3 / 50-60	
KW	36.9	
FULL LOAD AMPS	L1 L2 L3	
	99.3 108.3 99.3	
POWER SUPPLY	FUSE WIRE	
	125A 1/0 AWG	
ELEMENTS (E-T-2300/20)	QTY OHMS	
	17 20.0	
VOLTAGE	220 / 3 / 50-60	
KW	36.9	
FULL LOAD AMPS	L1 L2 L3	
	93.9 102.4 93.9	
POWER SUPPLY	FUSE WIRE	
	125A 1/0 AWG	
ELEMENTS (E-T-2300/40)	QTY OHMS	
	17 22.3	
VOLTAGE	240 / 3 / 50-60	
KW	36.9	
FULL LOAD AMPS	L1 L2 L3	
	86.0 93.9 86.0	
POWER SUPPLY	FUSE WIRE	
	125A 1/0 AWG	
ELEMENTS (E-T-2300/30)	QTY OHMS	
	17 26.6	

1 PHASE CONTROL PANELS:

MODEL	(AUTO/ MANUAL)	WIRING DIAGRAM
T2345-PB	(MANUAL)	K265-107
T2345-D-PB	(AUTO)	K265-157

3 PHASE CONTROL PANELS:

MODEL	(AUTO/ MANUAL)	WIRING DIAGRAM
T2345-PB	(MANUAL)	K265-108
T2345-D-PB	(AUTO)	K265-158



SEE CONTROL PANEL WIRING DIAGRAM FOR WIRING CONNECTIONS TO KILN ZONE RECEPTACLES

NOTES:

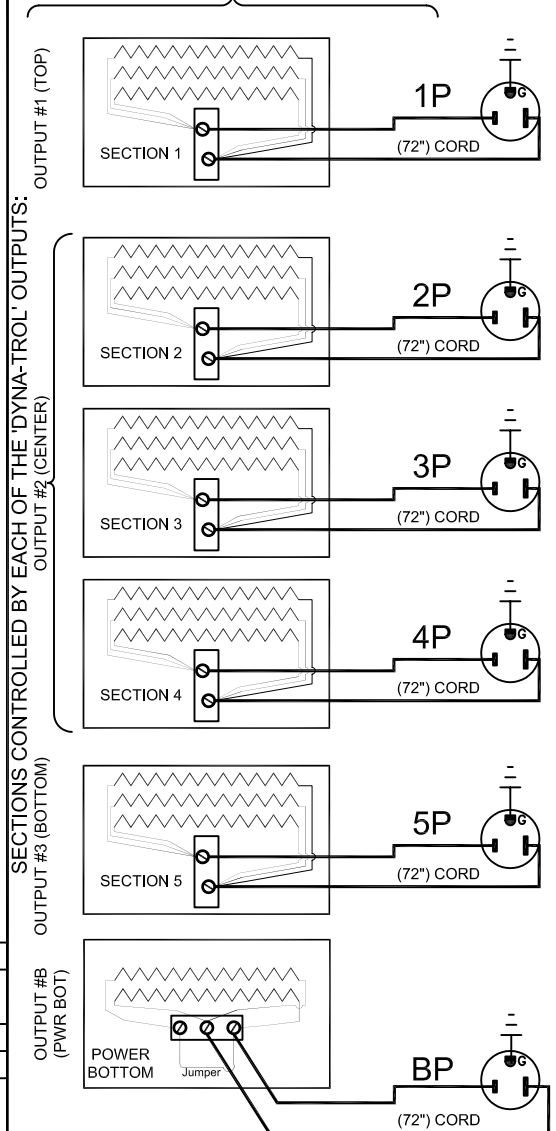
Industrial & commercial applications may require the installation of a LOCKOUT/TAGOUT device to prevent the Kiln from operating during maintenance.

This Kiln is recommended to be wired & connected to an approved U. L. & NEC configured disconnect switch and properly fused according to the KW load specification listed on the Kiln Nameplate. L&L Kiln Mfg., Inc., also recommends fuses rather than circuit breakers to prevent nuisance tripping.

ELECTRICAL PARTS LIST

SYMBOL	QTY	DESCRIPTION	CUSTOMER PART NO.
P	6	72" PLUGS NEMA 6-50P	L-G-PC50/72

KILN ASSEMBLY



SECTIONS CONTROLLED BY EACH OF THE 'DYNA-TROL' OUTPUTS:

Output Numbers refer to Dyna-Trol Outputs on Automatic Kilns only.



CAUTION: DO NOT PLUG KILN SECTIONS DIRECTLY TO LINE VOLTAGE

REV#	DATE	REVISION DESCRIPTION
A	6/29/09	REPLACED UL MARK WITH MET CERTIFIED MARK & ADDED NEW LOGO
0	9/25/02	MISC CHANGES FOR RELEASE

L Kilns hotkilns.com
 505 SHARPTOWN ROAD SWEDESBORO, NJ 08085
 PHONE: (856) 294-0077 FAX: (856) 294-0070

TITLE **DaVINCI KILN WIRING DIAGRAM MODELS T2345-PB & T2345-D-PB 1 or 3 PHASE KILN ASSEMBLY 5 SECTIONS, With Power Bottom**

DRAWN BY G.W.L.	REV. CODE A	DRAWING NO. K135-111
DATE 1/11/01	SCALE 1 = 8	
CHK G.D.L.	APP	
JOB NO	SER NO	SHEET NO. OF
FILE NAME L:\EVL\KILN\WIRING\KLN IK135-111.dwg	MADE FROM	DAVINCI\K105-102.dwg