

SINGLE PHASE MODELS:

MODELS T2345 & T2345-D			
VOLTAGE	208 / 1 / 50-60		
KW	32.5		
FULL LOAD AMPS	L1	L2	L3
	156.3	156.3	∞
POWER SUPPLY	FUSE	WIRE	
	200A	250 MCM	
ELEMENTS (E-T-2300/20)	QTY	OHMS	
	15	20.0	
VOLTAGE	220 / 1 / 50-60		
KW	32.5		
FULL LOAD AMPS	L1	L2	L3
	147.8	147.8	∞
POWER SUPPLY	FUSE	WIRE	
	200A	250 MCM	
ELEMENTS (E-T-2300/40)	QTY	OHMS	
	15	22.3	
VOLTAGE	240 / 1 / 50-60		
KW	32.5		
FULL LOAD AMPS	L1	L2	L3
	135.5	135.5	∞
POWER SUPPLY	FUSE	WIRE	
	175A	4/0 AWG	
ELEMENTS (E-T-2300/30)	QTY	OHMS	
	15	26.6	

THREE PHASE MODELS:

MODELS T2345 & T2345-D			
VOLTAGE	208 / 3 / 50-60		
KW	32.5		
FULL LOAD AMPS	L1	L2	L3
	81.2	108.3	81.2
POWER SUPPLY	FUSE	WIRE	
	125A	1/0 AWG	
ELEMENTS (E-T-2300/20)	QTY	OHMS	
	15	20.0	
VOLTAGE	220 / 3 / 50-60		
KW	32.5		
FULL LOAD AMPS	L1	L2	L3
	76.8	102.4	76.8
POWER SUPPLY	FUSE	WIRE	
	125A	1/0 AWG	
ELEMENTS (E-T-2300/40)	QTY	OHMS	
	15	22.3	
VOLTAGE	240 / 3 / 50-60		
KW	32.5		
FULL LOAD AMPS	L1	L2	L3
	70.4	93.9	70.4
POWER SUPPLY	FUSE	WIRE	
	125A	1/0 AWG	
ELEMENTS (E-T-2300/30)	QTY	OHMS	
	15	26.6	

1 PHASE CONTROL PANELS:

MODEL	(AUTO/MANUAL)	WIRING DIAGRAM
T2345	(MANUAL)	K264-107
T2345-D	(AUTO)	K264-157

3 PHASE CONTROL PANELS:

MODEL	(AUTO/MANUAL)	WIRING DIAGRAM
T2345	(MANUAL)	K264-108
T2345-D	(AUTO)	K264-158



SEE CONTROL PANEL WIRING DIAGRAM FOR WIRING CONNECTIONS TO KILN ZONE RECEPTACLES

NOTES:

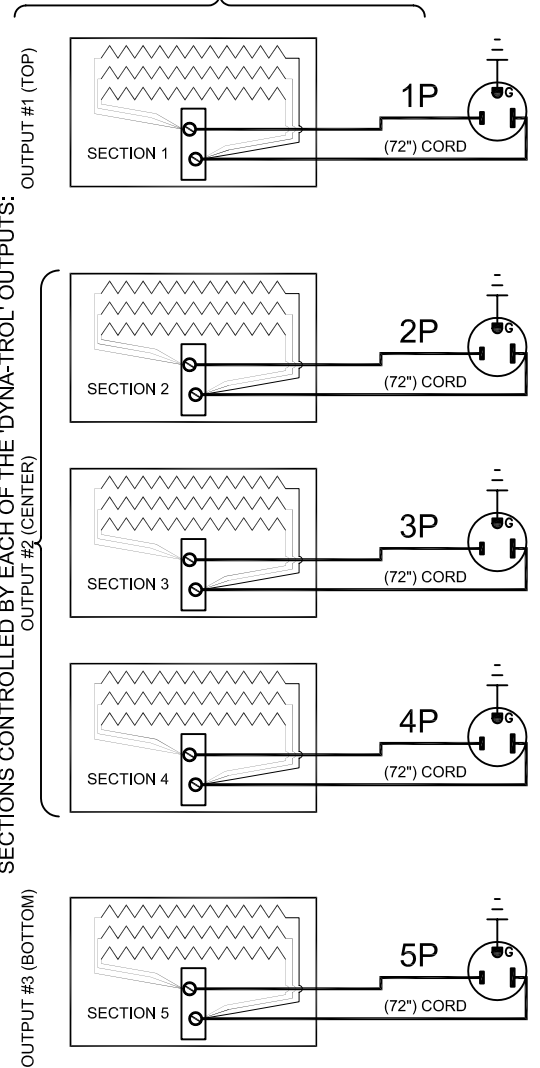
Industrial & commercial applications may require the installation of a LOCKOUT/TAGOUT device to prevent the Kiln from operating during maintenance.

This Kiln is recommended to be wired & connected to an approved U. L. & NEC configured disconnect switch and properly fused according to the KW load specification listed on the Kiln Nameplate. L&L Kiln Mfg., Inc., also recommends fuses rather than circuit breakers to prevent nuisance tripping.

ELECTRICAL PARTS LIST

SYMBOL	QTY	DESCRIPTION	CUSTOMER PART NO.
P	5	72" PLUGS NEMA 6-50P	L-G-PC50/72

KILN ASSEMBLY



Output Numbers refer to Dyna-Trol Outputs on Automatic Kilns only.

CAUTION: DO NOT PLUG KILN SECTIONS DIRECTLY TO LINE VOLTAGE

REV#	DATE	REVISION DESCRIPTION
A	6/29/09	REPLACED UL MARK WITH MET CERTIFIED MARK & ADDED NEW LOGO
0	9/25/02	MISC CHANGES FOR RELEASE

L Kilns
hotkilns.com
505 SHARPTOWN ROAD
SWEDESBORO, NJ 08085
PHONE: (856) 294-0077
FAX: (856) 294-0070

TITLE **DaVINCI KILN WIRING DIAGRAM**
MODELS T2345 & T2345-D
1 or 3 PHASE KILN ASSEMBLY
5 SECTIONS, No Power Bottom

DRAWN BY G.W.L.	REV. CODE A	DRAWING NO. K135-110
DATE 1/11/01	SCALE 1 = 8	
CHK G.D.L.	APP	
JOB NO	SER NO	SHEET NO. OF
FILE NAME L:\EVL\KILN\WIRING\DKLN	MADE FROM	DAVINCI\K105-101.dwg