

SINGLE PHASE MODELS:

MODELS T2336 & T2336-D		
VOLTAGE	208 / 1 / 50-60	
KW	26.0	
FULL LOAD AMPS	L1 L2 L3	
	125.1 125.1 X	
POWER SUPPLY	FUSE WIRE	
	150A 2/0 AWG	
ELEMENTS (E-T-2300/20)	QTY OHMS	
	12 20.0	
VOLTAGE	220 / 1 / 50-60	
KW	26.0	
FULL LOAD AMPS	L1 L2 L3	
	118.2 118.2 X	
POWER SUPPLY	FUSE WIRE	
	150A 2/0 AWG	
ELEMENTS (E-T-2300/40)	QTY OHMS	
	12 22.3	
VOLTAGE	240 / 1 / 50-60	
KW	26.0	
FULL LOAD AMPS	L1 L2 L3	
	108.4 108.4 X	
POWER SUPPLY	FUSE WIRE	
	125A 1/0 AWG	
ELEMENTS (E-T-2300/30)	QTY OHMS	
	12 26.6	

THREE PHASE MODELS:

MODELS T2336 & T2336-D		
VOLTAGE	208 / 3 / 50-60	
KW	26.0	
FULL LOAD AMPS	L1 L2 L3	
	81.2 81.2 54.1	
POWER SUPPLY	FUSE WIRE	
	100A 1 AWG	
ELEMENTS (E-T-2300/20)	QTY OHMS	
	12 20.0	
VOLTAGE	220 / 3 / 50-60	
KW	26.0	
FULL LOAD AMPS	L1 L2 L3	
	76.8 76.8 51.2	
POWER SUPPLY	FUSE WIRE	
	100A 1 AWG	
ELEMENTS (E-T-2300/40)	QTY OHMS	
	12 22.3	
VOLTAGE	240 / 3 / 50-60	
KW	26.0	
FULL LOAD AMPS	L1 L2 L3	
	70.4 70.4 46.9	
POWER SUPPLY	FUSE WIRE	
	90A 2 AWG	
ELEMENTS (E-T-2300/30)	QTY OHMS	
	12 26.6	

1 PHASE CONTROL PANELS:

MODEL	(AUTO/MANUAL)	WIRING DIAGRAM
T2336	(MANUAL)	K264-105
T2336-D	(AUTO)	K264-155

3 PHASE CONTROL PANELS:

MODEL	(AUTO/MANUAL)	WIRING DIAGRAM
T2336	(MANUAL)	K264-106
T2336-D	(AUTO)	K264-156



SEE CONTROL PANEL WIRING DIAGRAM FOR WIRING CONNECTIONS TO KILN ZONE RECEPTACLES

NOTES:

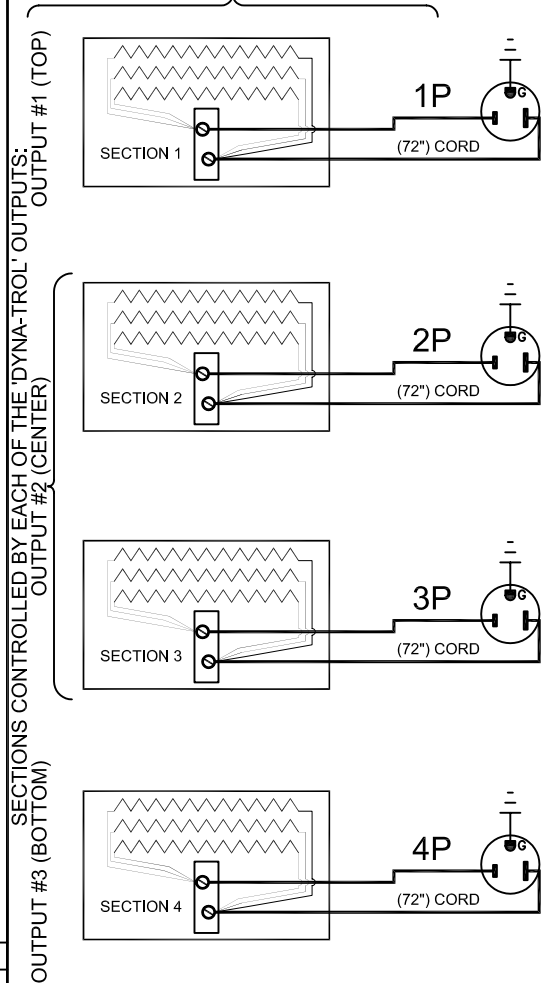
Industrial & commercial applications may require the installation of a LOCKOUT/TAGOUT device to prevent the Kiln from operating during maintenance.

This Kiln is recommended to be wired & connected to an approved U. L. & NEC configured disconnect switch and properly fused according to the KW load specification listed on the Kiln Nameplate. L&L Kiln Mfg., Inc., also recommends fuses rather than circuit breakers to prevent nuisance tripping.

ELECTRICAL PARTS LIST

SYMBOL	QTY	DESCRIPTION	CUSTOMER PART NO.
P	4	72" PLUGS NEMA 6-50P	L-G-PC50/72

KILN ASSEMBLY



Output Numbers refer to Dyna-Trol Outputs on Automatic Kilns only.



CAUTION: DO NOT PLUG KILN SECTIONS DIRECTLY TO LINE VOLTAGE

REV#	DATE	REVISION DESCRIPTION
A	6/29/09	REPLACED UL MARK WITH MET CERTIFIED MARK & ADDED NEW LOGO
0	9/25/02	MISC CHANGES FOR RELEASE

L&L Kilns
hotkilns.com
505 SHARPTOWN ROAD
SWEDESBORO, NJ 08085
PHONE: (856) 294-0077
FAX: (856) 294-0070

TITLE: **DaVINCI KILN WIRING DIAGRAM**
MODELS T2336 & T2336-D
1 or 3 PHASE KILN ASSEMBLY
4 SECTIONS, No Power Bottom

DRAWN BY	G.W.L.	REV. CODE	A	DRAWING NO.	K134-110
DATE	1/11/01	SCALE	1 = 8		
CHK	G.D.L.	APP			
JOB NO.		SER NO.		SHEET NO.	1 OF 1
FILE NAME	L:\EVL\KILN\WIRING\KLN		MADE FROM	DAVINCI\K105-101.dwg	