

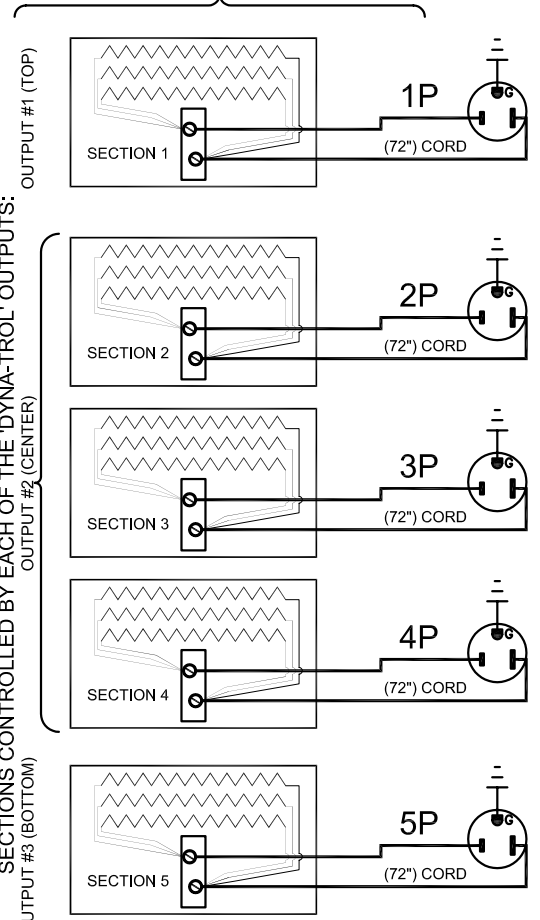
SINGLE PHASE MODELS:

MODELS XB3245 & XB3245-D	
VOLTAGE	208 / 1 / 50-60
KW	35.5
FULL LOAD AMPS	L1 L2 L3 170.6 170.6 X
POWER SUPPLY	FUSE WIRE 225A 350 MCM
ELEMENTS (E-X-320B/20)	QTY OHMS 15 18.3
VOLTAGE	220 / 1 / 50-60
KW	35.5
FULL LOAD AMPS	L1 L2 L3 161.3 161.3 X
POWER SUPPLY	FUSE WIRE 225A 350 MCM
ELEMENTS (E-X-320B/40)	QTY OHMS 15 20.5
VOLTAGE	240 / 1 / 50-60
KW	35.5
FULL LOAD AMPS	L1 L2 L3 147.9 147.9 X
POWER SUPPLY	FUSE WIRE 200A 250 MCM
ELEMENTS (E-X-320B/30)	QTY OHMS 15 24.3

THREE PHASE MODELS:

MODELS XB3245 & XB3245-D	
VOLTAGE	208 / 3 / 50-60
KW	35.5
FULL LOAD AMPS	L1 L2 L3 90.3 118.2 90.3
POWER SUPPLY	FUSE WIRE 150A 2/0 AWG
ELEMENTS (E-X-3200/20)	QTY OHMS 15 18.3
VOLTAGE	220 / 3 / 50-60
KW	35.5
FULL LOAD AMPS	L1 L2 L3 85.4 111.8 85.4
POWER SUPPLY	FUSE WIRE 150A 2/0 AWG
ELEMENTS (E-X-320B/40)	QTY OHMS 15 20.5
VOLTAGE	240 / 3 / 50-60
KW	35.5
FULL LOAD AMPS	L1 L2 L3 78.2 102.5 78.2
POWER SUPPLY	FUSE WIRE 150A 2/0 AWG
ELEMENTS (E-X-320B/30)	QTY OHMS 15 34.3

KILN ASSEMBLY



1 PHASE CONTROL PANELS:

3 PHASE CONTROL PANELS:

MODEL	(AUTO/MANUAL)	WIRING DIAGRAM	MODEL	(AUTO/MANUAL)	WIRING DIAGRAM
XB3245	(MANUAL)	K264-107	XB3245	(MANUAL)	K264-108
XB3245-D	(AUTO)	K264-157	XB3245-D	(AUTO)	K264-158



SEE CONTROL PANEL WIRING DIAGRAM FOR WIRING CONNECTIONS TO KILN ZONE RECEPTACLES

NOTES:

Industrial & commercial applications may require the installation of a LOCKOUT/TAGOUT device to prevent the Kiln from operating during maintenance.

This Kiln is recommended to be wired & connected to an approved U. L. & NEC configured disconnect switch and properly fused according to the KW load specification listed on the Kiln Nameplate. L&L Kiln Mfg., Inc., also recommends fuses rather than circuit breakers to prevent nuisance tripping.

Output Numbers refer to Dyna-Trol Outputs on Automatic Kilns only.



CAUTION: DO NOT PLUG KILN SECTIONS DIRECTLY TO LINE VOLTAGE

REV#	DATE	REVISION DESCRIPTION
0	9/1/09	FIRST ISSUE

hotkilns.com
 505 SHARPTOWN ROAD
 SWEDESBORO, NJ 08085
 PHONE: (856) 294-0077
 FAX: (856) 294-0070

TITLE DaVINCI KILN WIRING DIAGRAM
 MODELS XB3245 & XB3245-D
 1 or 3 PHASE KILN ASSEMBLY
 5 SECTIONS, w/o Power Bottom

ELECTRICAL PARTS LIST

SYMBOL	QTY	DESCRIPTION	CUSTOMER PART NO.
P	5	72" PLUGS NEMA 6-50P	L-G-PC50/72

DRAWN BY	G.D.L.	REV. CODE	0	DRAWING NO.	K129-112
DATE	9/1/09	SCALE	1 = 8		
CHK	G.D.L.	APP			
JOB NO		SER NO		SHEET NO.	1 OF 1
FILE NAME	L:\EVL\KILN\WIRDGKLN	MADE FROM			K129-113.dwg
	IK129-112.dwg				