

**SINGLE PHASE MODELS:**

MODELS X3245-PB & X3245-D-PB			
VOLTAGE	208 / 1 / 50-60		
KW	34.1		
FULL LOAD AMPS	L1	L2	L3
	163.8	163.8	∞
POWER SUPPLY	FUSE	WIRE	
	200A	250 MCM	
ELEMENTS (E-X-3200/20)	QTY	OHMS	
	17	21.6	
VOLTAGE	220 / 1 / 50-60		
KW	34.1		
FULL LOAD AMPS	L1	L2	L3
	154.9	154.9	∞
POWER SUPPLY	FUSE	WIRE	
	200A	250 MCM	
ELEMENTS (E-X-3200/40)	QTY	OHMS	
	17	24.1	
VOLTAGE	240 / 1 / 50-60		
KW	34.1		
FULL LOAD AMPS	L1	L2	L3
	142.0	142.0	∞
POWER SUPPLY	FUSE	WIRE	
	175A	4/0 AWG	
ELEMENTS (E-X-3200/30)	QTY	OHMS	
	17	28.7	

**THREE PHASE MODELS:**

MODELS X3245-PB & X3245-D-PB			
VOLTAGE	208 / 3 / 50-60		
KW	34.1		
FULL LOAD AMPS	L1	L2	L3
	91.8	100.2	91.8
POWER SUPPLY	FUSE	WIRE	
	125A	1/0 AWG	
ELEMENTS (E-X-3200/20)	QTY	OHMS	
	17	21.6	
VOLTAGE	220 / 3 / 50-60		
KW	34.1		
FULL LOAD AMPS	L1	L2	L3
	86.8	94.7	86.8
POWER SUPPLY	FUSE	WIRE	
	125A	1/0 AWG	
ELEMENTS (E-X-3200/40)	QTY	OHMS	
	17	24.1	
VOLTAGE	240 / 3 / 50-60		
KW	34.1		
FULL LOAD AMPS	L1	L2	L3
	79.6	86.8	79.6
POWER SUPPLY	FUSE	WIRE	
	100A	1 AWG	
ELEMENTS (E-X-3200/30)	QTY	OHMS	
	17	28.7	

**1 PHASE CONTROL PANELS:**

MODEL	(AUTO/MANUAL)	WIRING DIAGRAM
X3245-PB	(MANUAL)	K265-107
X3245-D-PB	(AUTO)	K265-157

**3 PHASE CONTROL PANELS:**

MODEL	(AUTO/MANUAL)	WIRING DIAGRAM
X3245-PB	(MANUAL)	K265-108
X3245-D-PB	(AUTO)	K265-158



**SEE CONTROL PANEL WIRING DIAGRAM FOR WIRING CONNECTIONS TO KILN ZONE RECEPTACLES**

**NOTES:**

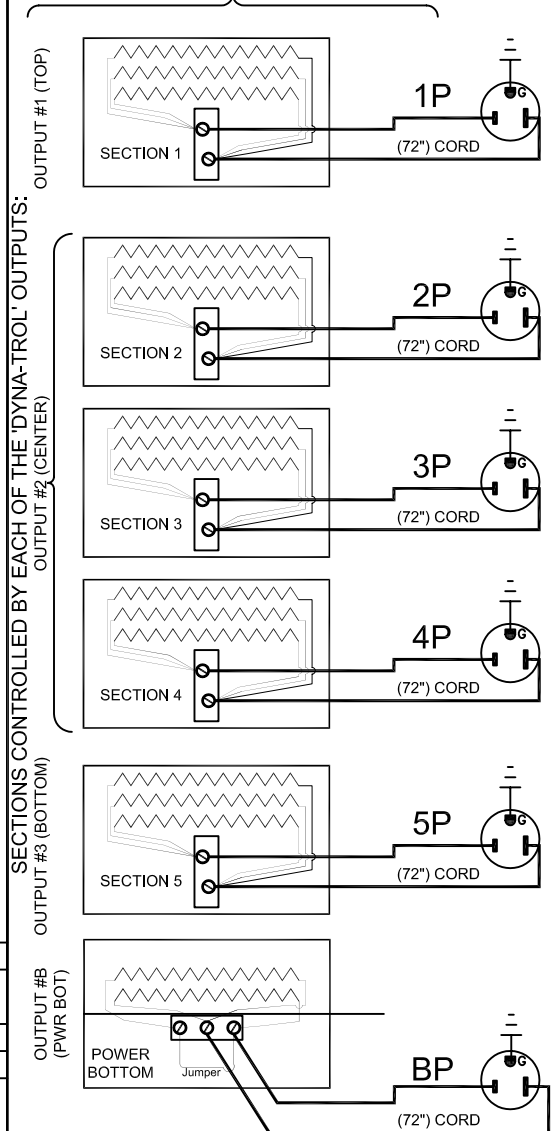
Industrial & commercial applications may require the installation of a LOCKOUT/TAGOUT device to prevent the Kiln from operating during maintenance.

This Kiln is recommended to be wired & connected to an approved U. L. & NEC configured disconnect switch and properly fused according to the KW load specification listed on the Kiln Nameplate. L&L Kiln Mfg., Inc., also recommends fuses rather than circuit breakers to prevent nuisance tripping.

**ELECTRICAL PARTS LIST**

SYMBOL	QTY	DESCRIPTION	CUSTOMER PART NO.
P	6	72" PLUGS NEMA 6-50P	L-G-PC50/72

**KILN ASSEMBLY**



Output Numbers refer to Dyna-Trol Outputs on Automatic Kilns only.



**CAUTION: DO NOT PLUG KILN SECTIONS DIRECTLY TO LINE VOLTAGE**

REV#	DATE	REVISION DESCRIPTION
A	6/22/09	REPLACED UL MARK WITH MET CERTIFIED MARK & ADDED NEW LOGO
0	9/25/02	MISC CHANGES FOR RELEASE

**L Kilns** hotkilns.com  
 505 SHARPTOWN ROAD SWEDESBORO, NJ 08085  
 PHONE: (856) 294-0077 FAX: (856) 294-0070

TITLE **DaVINCI KILN WIRING DIAGRAM MODELS X3245-PB & X3245-D-PB 1 or 3 PHASE KILN ASSEMBLY 5 SECTIONS, With Power Bottom**

DRAWN BY <b>G.W.L.</b>	REV. CODE <b>A</b>	DRAWING NO. <b>K129-111</b>
DATE <b>1/11/01</b>	SCALE <b>1 = 8</b>	
CHK <b>G.D.L.</b>	APP	
JOB NO	SER NO	SHEET NO.   OF
FILE NAME <b>L:\EVL\KILN\WIRDGKLN\K129-111.dwg</b>	MADE FROM	DAVINCNK105-102.dwg