

SINGLE PHASE MODELS:

MODELS X2836-PB & X2836-D-PB	
VOLTAGE	208 / 1 / 50-60
KW	23.2
FULL LOAD AMPS	L1 L2 L3 111.7 111.7 X
POWER SUPPLY	FUSE WIRE 125A 1/0 AWG
ELEMENTS (E-X-2800/20)	QTY OHMS 14 26.1
VOLTAGE	220 / 1 / 50-60
KW	23.2
FULL LOAD AMPS	L1 L2 L3 105.6 105.6 X
POWER SUPPLY	FUSE WIRE 125A 1/0 AWG
ELEMENTS (E-X-2800/40)	QTY OHMS 14 29.2
VOLTAGE	240 / 1 / 50-60
KW	23.2
FULL LOAD AMPS	L1 L2 L3 96.8 96.8 X
POWER SUPPLY	FUSE WIRE 125A 1/0 AWG
ELEMENTS (E-X-2800/30)	QTY OHMS 14 34.7

THREE PHASE MODELS:

MODELS X2836-PB & X2836-D-PB	
VOLTAGE	208 / 3 / 50-60
KW	23.2
FULL LOAD AMPS	L1 L2 L3 76.0 62.2 55.3
POWER SUPPLY	FUSE WIRE 90A 2 AWG
ELEMENTS (E-X-2800/20)	QTY OHMS 14 26.1
VOLTAGE	220 / 3 / 50-60
KW	23.2
FULL LOAD AMPS	L1 L2 L3 71.9 58.8 52.3
POWER SUPPLY	FUSE WIRE 90A 2 AWG
ELEMENTS (E-X-2800/40)	QTY OHMS 14 29.2
VOLTAGE	240 / 3 / 50-60
KW	23.2
FULL LOAD AMPS	L1 L2 L3 65.9 53.9 47.9
POWER SUPPLY	FUSE WIRE 80A 3 AWG
ELEMENTS (E-X-2800/30)	QTY OHMS 14 34.7

1 PHASE CONTROL PANELS:

MODEL	(AUTO/MANUAL)	WIRING DIAGRAM
X2836-PB	(MANUAL)	K265-105
X2836-D-PB	(AUTO)	K265-155

3 PHASE CONTROL PANELS:

MODEL	(AUTO/MANUAL)	WIRING DIAGRAM
X2836-PB	(MANUAL)	K265-106
X2836-D-PB	(AUTO)	K265-156



SEE CONTROL PANEL WIRING DIAGRAM FOR WIRING CONNECTIONS TO KILN ZONE RECEPTACLES

NOTES:

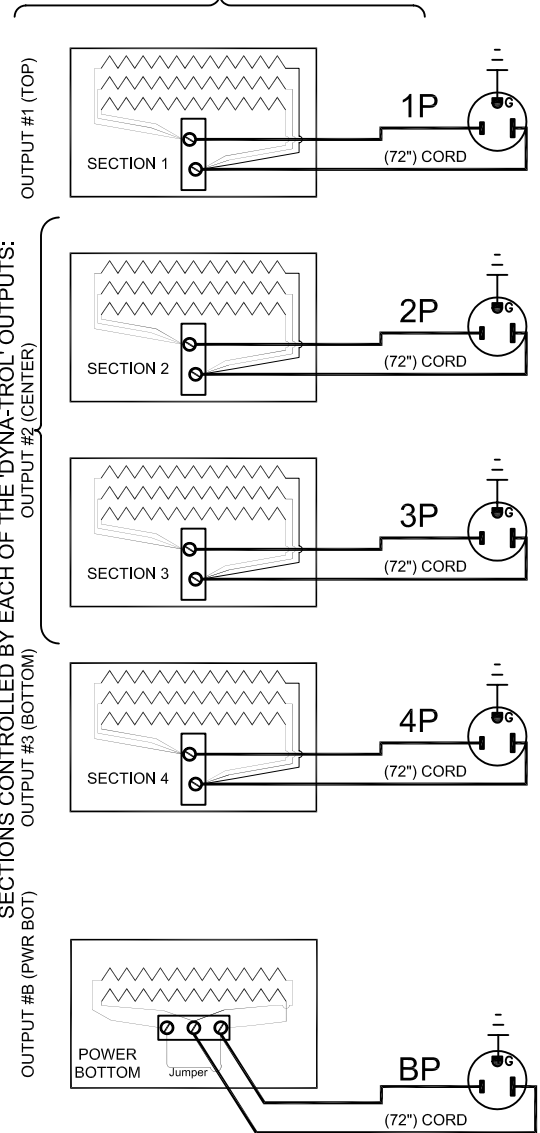
Industrial & commercial applications may require the installation of a LOCKOUT/TAGOUT device to prevent the Kiln from operating during maintenance.

This Kiln is recommended to be wired & connected to an approved U. L. & NEC configured disconnect switch and properly fused according to the KW load specification listed on the Kiln Nameplate. L&L Kiln Mfg., Inc., also recommends fuses rather than circuit breakers to prevent nuisance tripping.

ELECTRICAL PARTS LIST

SYMBOL	QTY	DESCRIPTION	CUSTOMER PART NO.
P	5	72" PLUGS NEMA 6-50P	L-G-PC50/72

KILN ASSEMBLY



Output Numbers refer to Dyna-Trol Outputs on Automatic Kilns only.



CAUTION: DO NOT PLUG KILN SECTIONS DIRECTLY TO LINE VOLTAGE

REV#	DATE	REVISION DESCRIPTION
A	6/18/09	REPLACED UL MARK WITH MET CERTIFIED MARK & ADDED NEW LOGO
0	9/24/02	MISC CHANGES FOR RELEASE

L Kilns hotkilns.com
 505 SHARPTOWN ROAD SWEDESBORO, NJ 08085
 PHONE: (856) 294-0077 FAX: (856) 294-0070

TITLE DaVINCI KILN WIRING DIAGRAM MODELS X2836-PB & X2836-D-PB 1 or 3 PHASE KILN ASSEMBLY 4 SECTIONS, With Power Bottom

DATE	SCALE	REV. CODE	DRAWING NO.
4/11/01	1 = 8	A	K121-111
CHK G.D.L.	APP		
JOB NO	SER NO		SHEET NO. OF
FILE NAME L:\EVL\KILN\WIRDGKLN\K121-111.dwg	MADE FROM		DAVINCNK105-102.dwg