

SINGLE PHASE MODELS:

MODELS XB2818-PB & XB2818-D-PB	
VOLTAGE	208 / 1 / 50-60
KW	15.5
FULL LOAD AMPS	L1 L2 L3 74.3 74.3 X
POWER SUPPLY	FUSE WIRE 90A 2 AWG
ELEMENTS (E-X-28B0/20)	QTY OHMS 8 22.4
VOLTAGE	220 / 1 / 50-60
KW	15.5
FULL LOAD AMPS	L1 L2 L3 70.3 70.3 X
POWER SUPPLY	FUSE WIRE 90A 2 AWG
ELEMENTS (E-X-28B0/40)	QTY OHMS 8 25.1
VOLTAGE	240 / 1 / 50-60
KW	15.5
FULL LOAD AMPS	L1 L2 L3 64.4 64.4 X
POWER SUPPLY	FUSE WIRE 80A 3 AWG
ELEMENTS (E-X-28B0/30)	QTY OHMS 8 29.8

THREE PHASE MODELS:

MODELS XB2818-PB & XB2818-D-PB	
VOLTAGE	208 / 3 / 50-60
KW	15.5
FULL LOAD AMPS	L1 L2 L3 40.2 48.3 40.2
POWER SUPPLY	FUSE WIRE 60A 6 AWG
ELEMENTS (E-X-28B0/20)	QTY OHMS 8 22.4
VOLTAGE	220 / 3 / 50-60
KW	15.5
FULL LOAD AMPS	L1 L2 L3 38.0 45.6 38.0
POWER SUPPLY	FUSE WIRE 60A 6 AWG
ELEMENTS (E-X-28B0/40)	QTY OHMS 8 25.1
VOLTAGE	240 / 3 / 50-60
KW	15.5
FULL LOAD AMPS	L1 L2 L3 34.9 41.8 34.9
POWER SUPPLY	FUSE WIRE 60A 6 AWG
ELEMENTS (E-X-28B0/30)	QTY OHMS 8 29.8

1 PHASE CONTROL PANELS:

MODEL	(AUTO/MANUAL)	WIRING DIAGRAM
XB2818-PB	(MANUAL)	K265-101
XB2818-D-PB	(AUTO)	K265-151

3 PHASE CONTROL PANELS:

MODEL	(AUTO/MANUAL)	WIRING DIAGRAM
XB2818-PB	(MANUAL)	K265-102
XB2818-D-PB	(AUTO)	K265-152



SEE CONTROL PANEL WIRING DIAGRAM FOR WIRING CONNECTIONS TO KILN ZONE RECEPTACLES

NOTES:

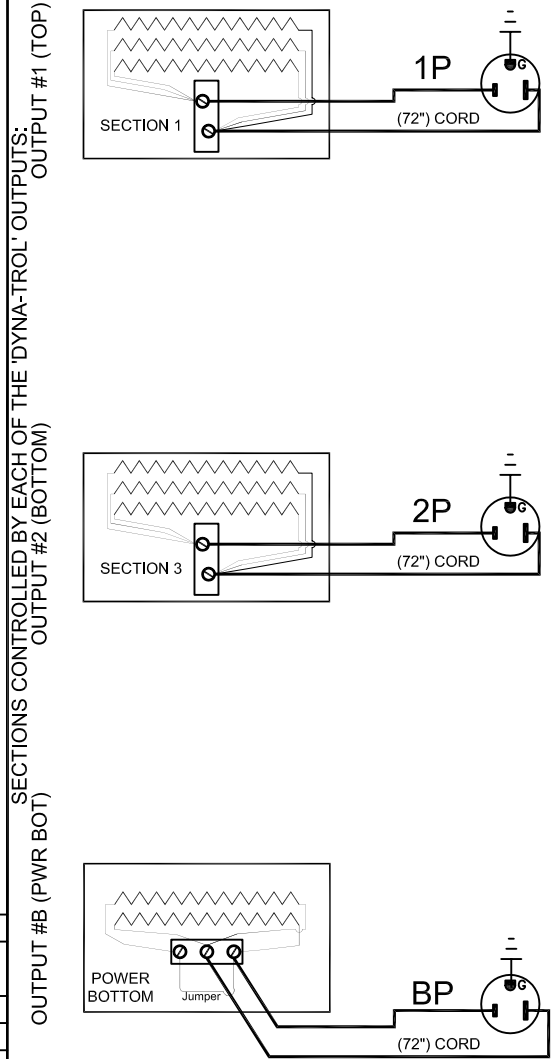
Industrial & commercial applications may require the installation of a LOCKOUT/TAGOUT device to prevent the Kiln from operating during maintenance.

This Kiln is recommended to be wired & connected to an approved U. L. & NEC configured disconnect switch and properly fused according to the KW load specification listed on the Kiln Nameplate. L&L Kiln Mfg., Inc., also recommends fuses rather than circuit breakers to prevent nuisance tripping.

ELECTRICAL PARTS LIST

SYMBOL	QTY	DESCRIPTION	CUSTOMER PART NO.
P	3	72" PLUGS NEMA 6-50P	L-G-PC50/72

KILN ASSEMBLY



Output Numbers refer to Dyna-Trol Outputs on Automatic Kilns only.



CAUTION: DO NOT PLUG KILN SECTIONS DIRECTLY TO LINE VOLTAGE

REV#	DATE	REVISION DESCRIPTION
A	6/18/09	REPLACED UL MARK WITH MET CERTIFIED MARK & ADDED NEW LOGO
0	9/23/02	MISC CHANGES FOR RELEASE

L Kilns
hotkilns.com
505 SHARPTOWN ROAD
SWEDESBORO, NJ 08085
PHONE: (856) 294-0077
FAX: (856) 294-0070

TITLE **DaVINCI KILN WIRING DIAGRAM**
MODELS XB2818-PB & XB2818-D-PB
1 or 3 PHASE KILN ASSEMBLY
2 SECTIONS, With Power Bottom

DRAWN BY G.W.L.	REV. CODE A	DRAWING NO. K119-111
DATE 4/10/01	SCALE 1 = 8	
CHK G.D.L.	APP	
JOB NO	SER NO	SHEET NO. OF
FILE NAME L:\EVLKILN\WIRING\GKLN	MADE FROM	DAVINCNK105-102.dwg