

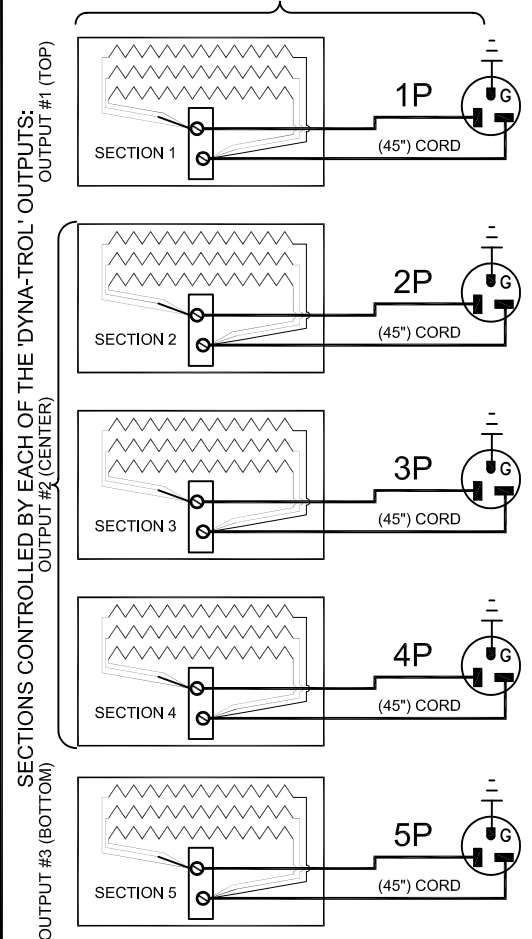
SINGLE PHASE MODELS:

MODELS X2345 & X2345-D	
VOLTAGE	208 / 1 / 50-60
KW	19.5
FULL LOAD AMPS	L1 L2 L3 93.8 93.8 X
POWER SUPPLY	FUSE WIRE 125A 1/0 AWG
ELEMENTS (E-X-2300/20)	QTY OHMS 15 33.3
VOLTAGE	220 / 1 / 50-60
KW	19.5
FULL LOAD AMPS	L1 L2 L3 88.7 88.7 X
POWER SUPPLY	FUSE WIRE 125A 1/0 AWG
ELEMENTS (E-X-2300/40)	QTY OHMS 15 37.2
VOLTAGE	240 / 1 / 50-60
KW	19.5
FULL LOAD AMPS	L1 L2 L3 81.3 81.3 X
POWER SUPPLY	FUSE WIRE 100A 1 AWG
ELEMENTS (E-X-2300/30)	QTY OHMS 15 44.3

THREE PHASE MODELS:

MODELS X2345 & X2345-D	
VOLTAGE	208 / 3 / 50-60
KW	19.5
FULL LOAD AMPS	L1 L2 L3 48.7 65.0 48.7
POWER SUPPLY	FUSE WIRE 80A 3 AWG
ELEMENTS (E-X-2300/20)	QTY OHMS 15 33.3
VOLTAGE	220 / 3 / 50-60
KW	19.5
FULL LOAD AMPS	L1 L2 L3 46.1 61.4 46.1
POWER SUPPLY	FUSE WIRE 80A 3 AWG
ELEMENTS (E-X-2300/40)	QTY OHMS 15 37.2
VOLTAGE	240 / 3 / 50-60
KW	19.5
FULL LOAD AMPS	L1 L2 L3 42.2 56.3 42.2
POWER SUPPLY	FUSE WIRE 70A 4 AWG
ELEMENTS (E-X-2300/30)	QTY OHMS 15 44.3

KILN ASSEMBLY



1 PHASE CONTROL PANELS:

3 PHASE CONTROL PANELS:

MODEL	(AUTO/MANUAL)	WIRING DIAGRAM	MODEL	(AUTO/MANUAL)	WIRING DIAGRAM
X2345	(MANUAL)	K262-107	X2345	(MANUAL)	K262-108
X2345-D	(AUTO)	K262-165	X2345-D	(AUTO)	K262-166



SEE CONTROL PANEL WIRING DIAGRAM FOR WIRING CONNECTIONS TO KILN ZONE RECEPTACLES

NOTES:

Industrial & commercial applications may require the installation of a LOCKOUT/TAGOUT device to prevent the Kiln from operating during maintenance.

This Kiln is recommended to be wired & connected to an approved U. L. & NEC configured disconnect switch and properly fused according to the KW load specification listed on the Kiln Nameplate. L&L Kiln Mfg., Inc., also recommends fuses rather than circuit breakers to prevent nuisance tripping.

ELECTRICAL PARTS LIST

SYMBOL	QTY	DESCRIPTION	CUSTOMER PART NO.
P	5	45" PLUGS NEMA 6-20P	L-J-JC45/00

Output Numbers refer to Dyna-Trol Outputs on Automatic Kilns only.



CAUTION: DO NOT PLUG KILN SECTIONS DIRECTLY TO LINE VOLTAGE

REV#	DATE	REVISION DESCRIPTION
A	6/17/09	REPLACED UL MARK WITH MET CERTIFIED MARK & ADDED NEW LOGO
0	9/19/02	MISC CHANGES FOR RELEASE

L Kilns hotkilns.com
 505 SHARPTOWN ROAD SWEDESBORO, NJ 08085
 PHONE: (856) 294-0077 FAX: (856) 294-0070

TITLE **DaVINCI KILN WIRING DIAGRAM**
MODELS X2345 & X2345-D
1 or 3 PHASE KILN ASSEMBLY
5 SECTIONS, No Power Bottom

DRAWN BY G.W.L.	REV. CODE A	DRAWING NO. K115-110
DATE 4/10/01	SCALE 1 = 8	
CHK G.D.L.	APP	
JOB NO	SER NO	SHEET NO. OF
FILE NAME L:\EVL\KILN\WIRDGKLN\K115-110.dwg	MADE FROM	DAVINCNK105-101.dwg