

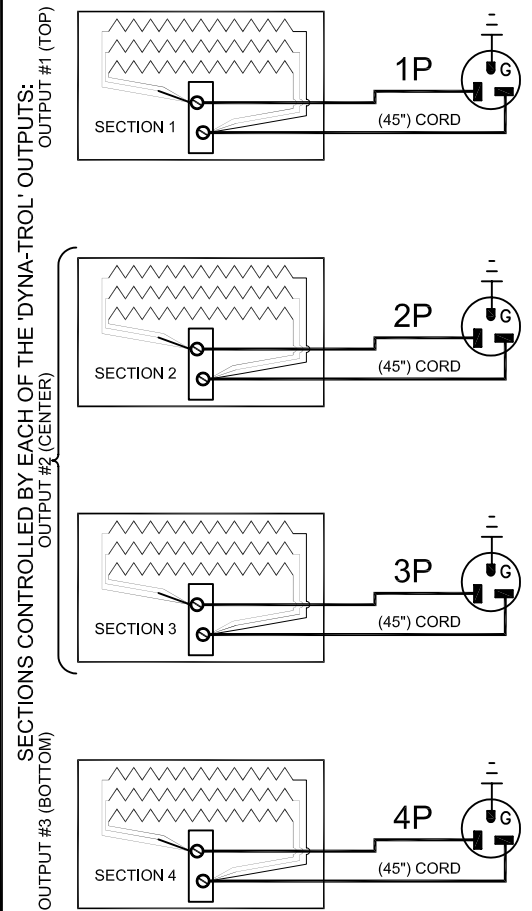
SINGLE PHASE MODELS:

MODELS X2336 & X2336-D	
VOLTAGE	208 / 1 / 50-60
KW	15.6
FULL LOAD AMPS	L1 L2 L3 75.0 75.0 X
POWER SUPPLY	FUSE WIRE 90A 2 AWG
ELEMENTS (E-X-2300/20)	QTY OHMS 12 33.3
VOLTAGE	220 / 1 / 50-60
KW	15.6
FULL LOAD AMPS	L1 L2 L3 70.9 70.9 X
POWER SUPPLY	FUSE WIRE 90A 2 AWG
ELEMENTS (E-X-2300/40)	QTY OHMS 12 37.2
VOLTAGE	240 / 1 / 50-60
KW	15.6
FULL LOAD AMPS	L1 L2 L3 65.0 65.0 X
POWER SUPPLY	FUSE WIRE 80A 3 AWG
ELEMENTS (E-X-2300/30)	QTY OHMS 12 44.3

THREE PHASE MODELS:

MODELS X2336 & X2336-D	
VOLTAGE	208 / 3 / 50-60
KW	15.6
FULL LOAD AMPS	L1 L2 L3 48.7 48.7 32.5
POWER SUPPLY	FUSE WIRE 60A 6 AWG
ELEMENTS (E-X-2300/20)	QTY OHMS 12 33.3
VOLTAGE	220 / 3 / 50-60
KW	15.6
FULL LOAD AMPS	L1 L2 L3 46.1 46.1 30.1
POWER SUPPLY	FUSE WIRE 60A 6 AWG
ELEMENTS (E-X-2300/40)	QTY OHMS 12 37.2
VOLTAGE	240 / 3 / 50-60
KW	15.6
FULL LOAD AMPS	L1 L2 L3 42.2 42.2 28.2
POWER SUPPLY	FUSE WIRE 60A 6 AWG
ELEMENTS (E-X-2300/30)	QTY OHMS 12 44.3

KILN ASSEMBLY



1 PHASE CONTROL PANELS:

3 PHASE CONTROL PANELS:

MODEL	(AUTO/ MANUAL)	WIRING DIAGRAM	MODEL	(AUTO/ MANUAL)	WIRING DIAGRAM
X2336	(MANUAL)	K262-105	X2336	(MANUAL)	K262-106
X2336-D	(AUTO)	K262-163	X2336-D	(AUTO)	K262-164



SEE CONTROL PANEL WIRING DIAGRAM FOR WIRING CONNECTIONS TO KILN ZONE RECEPTACLES

NOTES:

Industrial & commercial applications may require the installation of a LOCKOUT/TAGOUT device to prevent the Kiln from operating during maintenance.

This Kiln is recommended to be wired & connected to an approved U. L. & NEC configured disconnect switch and properly fused according to the KW load specification listed on the Kiln Nameplate. L&L Kiln Mfg., Inc., also recommends fuses rather than circuit breakers to prevent nuisance tripping.

ELECTRICAL PARTS LIST

SYMBOL	QTY	DESCRIPTION	CUSTOMER PART NO.
P	4	45" PLUGS NEMA 6-20P	L-J-JC45/00

Output Numbers refer to Dyna-Trol Outputs on Automatic Kilns only.



CAUTION: DO NOT PLUG KILN SECTIONS DIRECTLY TO LINE VOLTAGE

REV#	DATE	REVISION DESCRIPTION
A	6/17/09	REPLACED UL MARK WITH MET CERTIFIED MARK & ADDED NEW LOGO
0	9/19/02	MISC CHANGES FOR RELEASE

L&L Kilns
hotkilns.com
505 SHARPTOWN ROAD
SWEDESBORO, NJ 08085
PHONE: (856) 294-0077
FAX: (856) 294-0070

TITLE **DaVINCI KILN WIRING DIAGRAM**
MODELS X2336 & X2336-D
1 or 3 PHASE KILN ASSEMBLY
4 SECTIONS, No Power Bottom

DATE	SCALE	REV. CODE	DRAWING NO.
4/10/01	1 = 8	A	K114-110
CHK G.D.L.	APP		
JOB NO	SER NO		SHEET NO. OF
FILE NAME L:\EVL\KILN\WIRDG\KLN	MADE FROM		DAVINCNK105-101.dwg