

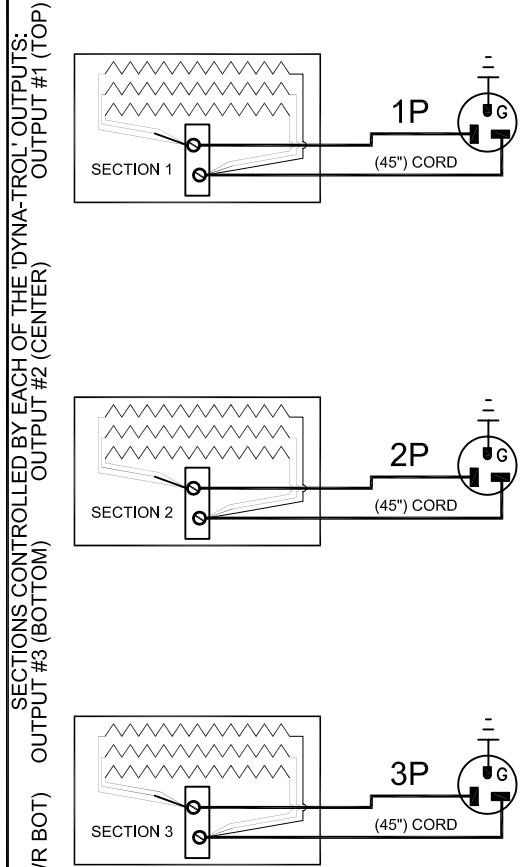
**SINGLE PHASE MODELS:**

MODELS X2327 & X2327-D	
VOLTAGE	208 / 1 / 50-60
KW	11.7
FULL LOAD AMPS	L1   L2   L3 56.3   56.3   X
POWER SUPPLY	FUSE   WIRE 70A   4 AWG
ELEMENTS (E-X-2300/20)	QTY   OHMS 9   33.3
VOLTAGE	220 / 1 / 50-60
KW	11.7
FULL LOAD AMPS	L1   L2   L3 53.2   53.2   X
POWER SUPPLY	FUSE   WIRE 70A   4 AWG
ELEMENTS (E-X-2300/40)	QTY   OHMS 9   37.2
VOLTAGE	240 / 1 / 50-60
KW	11.7
FULL LOAD AMPS	L1   L2   L3 48.8   48.8   X
POWER SUPPLY	FUSE   WIRE 60A   6 AWG
ELEMENTS (E-X-2300/30)	QTY   OHMS 9   44.3

**THREE PHASE MODELS:**

MODELS X2327 & X2327-D	
VOLTAGE	208 / 3 / 50-60
KW	11.7
FULL LOAD AMPS	L1   L2   L3 32.5   32.5   32.5
POWER SUPPLY	FUSE   WIRE 40A   8 AWG
ELEMENTS (E-X-2300/20)	QTY   OHMS 9   33.3
VOLTAGE	220 / 3 / 50-60
KW	11.7
FULL LOAD AMPS	L1   L2   L3 30.7   30.7   30.7
POWER SUPPLY	FUSE   WIRE 40A   8 AWG
ELEMENTS (E-X-2300/40)	QTY   OHMS 9   37.2
VOLTAGE	240 / 3 / 50-60
KW	11.7
FULL LOAD AMPS	L1   L2   L3 28.2   28.2   28.2
POWER SUPPLY	FUSE   WIRE 40A   8 AWG
ELEMENTS (E-X-2300/30)	QTY   OHMS 9   44.3

**KILN ASSEMBLY**



**1 PHASE CONTROL PANELS:**

**3 PHASE CONTROL PANELS:**

MODEL	(AUTO/MANUAL)	WIRING DIAGRAM	MODEL	(AUTO/MANUAL)	WIRING DIAGRAM
X2327	(MANUAL)	K262-103	X2327	(MANUAL)	K262-104
X2327-D	(AUTO)	K262-161	X2327-D	(AUTO)	K262-162



**SEE CONTROL PANEL WIRING DIAGRAM FOR WIRING CONNECTIONS TO KILN ZONE RECEPTACLES**

**NOTES:**

Industrial & commercial applications may require the installation of a LOCKOUT/TAGOUT device to prevent the Kiln from operating during maintenance.

This Kiln is recommended to be wired & connected to an approved U. L. & NEC configured disconnect switch and properly fused according to the KW load specification listed on the Kiln Nameplate. L&L Kiln Mfg., Inc., also recommends fuses rather than circuit breakers to prevent nuisance tripping.

**ELECTRICAL PARTS LIST**

SYMBOL	QTY	DESCRIPTION	CUSTOMER PART NO.
P	3	45" PLUGS NEMA 6-20P	L-J-JC45/00

Output Numbers refer to Dyna-Trol Outputs on Automatic Kilns only.



**CAUTION: DO NOT PLUG KILN SECTIONS DIRECTLY TO LINE VOLTAGE**

REV#	DATE	REVISION DESCRIPTION
A	6/17/09	REPLACED UL MARK WITH MET CERTIFIED MARK & ADDED NEW LOGO
0	9/19/02	MISC CHANGES FOR RELEASE

**L Kilns**  
hotkilns.com  
505 SHARPTOWN ROAD  
SWEDESBORO, NJ 08085  
PHONE: (856) 294-0077  
FAX: (856) 294-0070

TITLE **DaVINCI KILN WIRING DIAGRAM**  
**MODELS X2327 & X2327-D**  
**1 or 3 PHASE KILN ASSEMBLY**  
**3 SECTIONS, No Power Bottom**

DRAWN BY <b>G.W.L.</b>	REV. CODE <b>A</b>	DRAWING NO. <b>K113-110</b>
DATE <b>4/10/01</b>	SCALE <b>1 = 8</b>	
CHK <b>G.D.L.</b>	APP	
JOB NO	SER NO	SHEET NO.   OF
FILE NAME <b>L:\EVL\KILN\WIRING\GKLN IK1123110.dwg</b>	MADE FROM	DAVINCNK105-101.dwg