

SINGLE PHASE MODELS:

MODELS J245V-PB & JD245V-PB			
VOLTAGE	208 / 1 / 50-60		
KW	16.8		
FULL LOAD AMPS	L1	L2 L3	
	80.6	80.6	
POWER SUPPLY	FUSE	WIRE	
	100A	1 AWG	
ELEMENTS	QTY	OHMS	
	(E-J-2300/2V)	10	6.83
	(E-J-2300/20)	1	28.4
VOLTAGE	220 / 1 / 50-60		
KW	17.7		
FULL LOAD AMPS	L1	L2 L3	
	80.6	80.6	
POWER SUPPLY	FUSE	WIRE	
	100A	1 AWG	
ELEMENTS	QTY	OHMS	
	(E-J-2300/4V)	10	7.23
	(E-J-2300/40)	1	30.0
VOLTAGE	240 / 1 / 50-60		
KW	19.4		
FULL LOAD AMPS	L1	L2 L3	
	80.6	80.6	
POWER SUPPLY	FUSE	WIRE	
	100A	1 AWG	
ELEMENTS	QTY	OHMS	
	(E-J-2300/3V)	10	7.88
	(E-J-2300/30)	1	32.7

THREE PHASE MODELS:

MODELS J245V-PB & JD245V-PB			
VOLTAGE	208 / 3 / 50-60		
KW	16.8		
FULL LOAD AMPS	L1	L2 L3	
	44.4	50.8 44.4	
POWER SUPPLY	FUSE	WIRE	
	70A	4 AWG	
ELEMENTS	QTY	OHMS	
	(E-J-2300/2V)	10	6.83
	(E-J-2300/20)	1	28.4
VOLTAGE	220 / 3 / 50-60		
KW	17.7		
FULL LOAD AMPS	L1	L2 L3	
	44.4	50.8 44.4	
POWER SUPPLY	FUSE	WIRE	
	70A	4 AWG	
ELEMENTS	QTY	OHMS	
	(E-J-2300/4V)	10	7.23
	(E-J-2300/40)	1	30.0
VOLTAGE	240 / 3 / 50-60		
KW	19.4		
FULL LOAD AMPS	L1	L2 L3	
	44.4	50.8 44.4	
POWER SUPPLY	FUSE	WIRE	
	70A	4 AWG	
ELEMENTS	QTY	OHMS	
	(E-J-2300/3V)	10	7.88
	(E-J-2300/30)	1	32.7

1 PHASE CONTROL PANELS:

MODEL	(AUTO/MANUAL)	WIRING DIAGRAM
J245V-PB	(MANUAL)	K263-109
JD245V-PB	(AUTO)	K2632-159

3 PHASE CONTROL PANELS:

MODEL	(AUTO/MANUAL)	WIRING DIAGRAM
J245V-PB	(MANUAL)	K263-110
JD245V-PB	(AUTO)	K263-160



SEE CONTROL PANEL WIRING DIAGRAM FOR WIRING CONNECTIONS TO KILN ZONE RECEPTACLES

NOTES:

Industrial & commercial applications may require the installation of a LOCKOUT/TAGOUT device to prevent the Kiln from operating during maintenance.

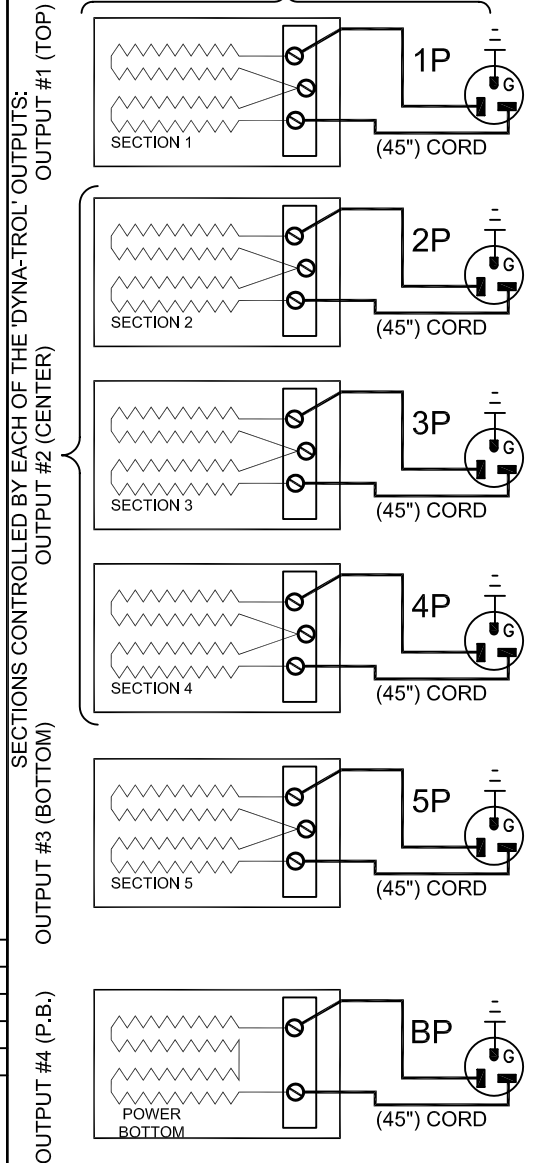
This Kiln is recommended to be wired & connected to an approved U. L. & NEC configured disconnect switch and properly fused according to the KW

load specification listed on the Kiln Nameplate. L&L Kiln Mfg., Inc., also recommends fuses rather than circuit breakers to prevent nuisance tripping.

ELECTRICAL PARTS LIST

SYMBOL	QTY	DESCRIPTION	CUSTOMER PART NO.
P	6	45" PLUGS NEMA 6-20P	L-JC45/00

KILN ASSEMBLY



CAUTION: DO NOT PLUG KILN SECTIONS DIRECTLY TO LINE VOLTAGE

REV#	DATE	REVISION DESCRIPTION
A	6/15/09	REPLACED UL MARK WITH MET CERTIFIED MARK & ADDED NEW LOGO
0	10/18/04	FIRST ISSUE

L Kilns
hotkilns.com
505 SHARPTOWN ROAD
SWEDESBORO, NJ 08085
PHONE: (856) 294-0077
FAX: (856) 294-0070

TITLE: **JUPITER KILN WIRING DIAGRAM
MODEL J245V-PB and JD245V-PB
FOR LARGE HEAVY-DUTY SERIES ELEMENTS
1 or 3 PHASE KILN ASSEMBLY
5 SECTIONS, With Power Bottom**

DRAWN BY G.D.L.	REV. CODE A	DRAWING NO. K039-121
DATE 10/18/04	SCALE 1 = 8	
CHK G.D.L.	APP	
JOB NO.	SER NO.	SHEET NO. OF
FILE NAME L:\E\KILN\WIRING\KLN K039-121.dwg	MADE FROM	K039-111