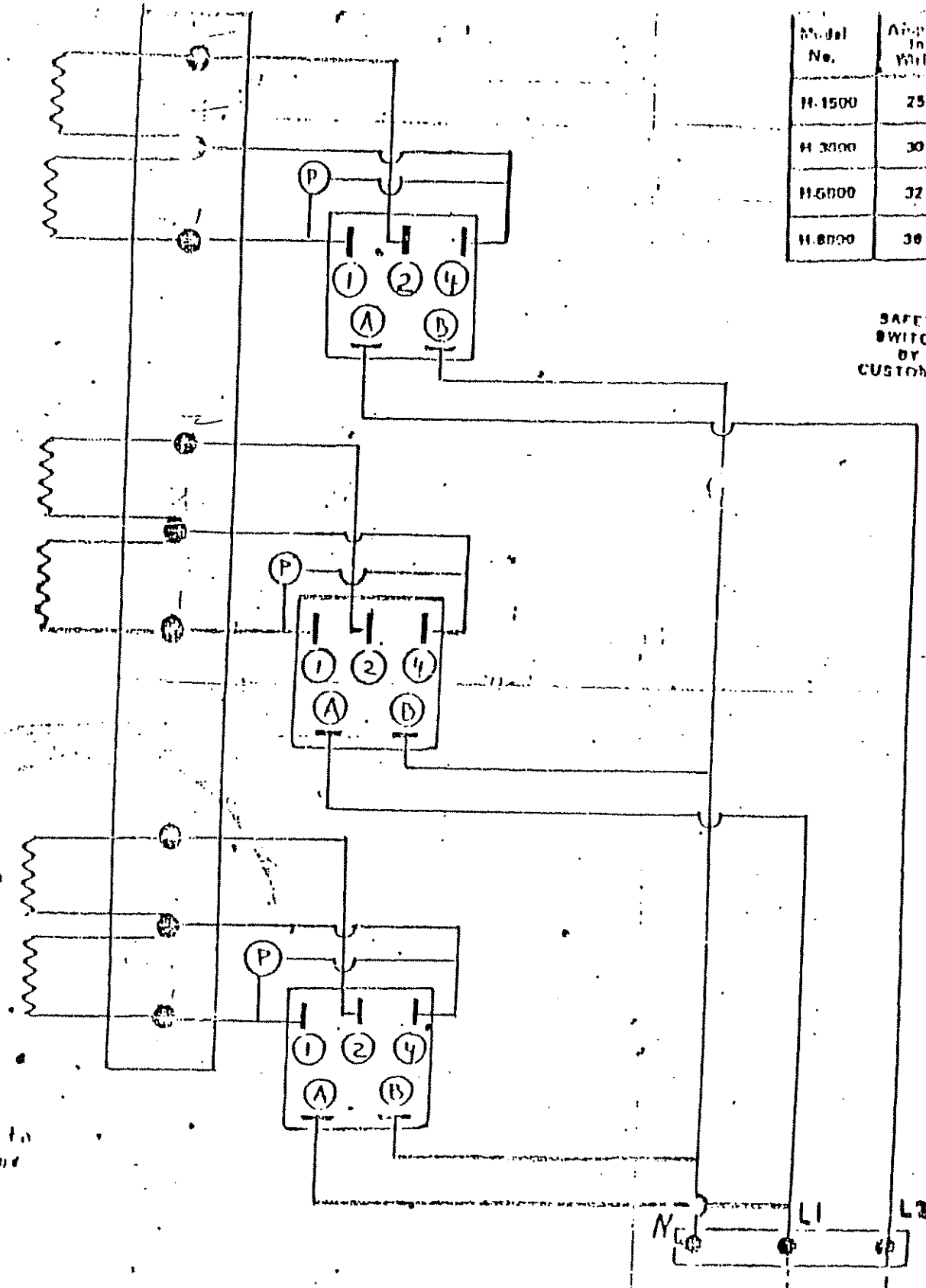


Model No.	Amperes In Wiring	Fuse Amps
H-1500	25.2	36
H-3000	30	35
H-5000	32	45
H-8000	38	45

SAFETY SWITCH BY CUSTOMER



Note:  
Ground Case to cold water line

N L1 L2 } 240  
OR  
208V.  
60

Optional }  
Three Motor }  
Dawson  
Kiln Sitter  
Model "P"  
(No time  
motor)  
Model "L.T."  
(with time  
motor)

**LEL MANUFACTURING CO.**

DRAWING NO  
**A-103-X**

SCALE

DR	CH
	APP

3/11/85

Wiring Diagram - Dyna-Kiln  
Models - H-1500, H-3000, H-5000,  
H-8000