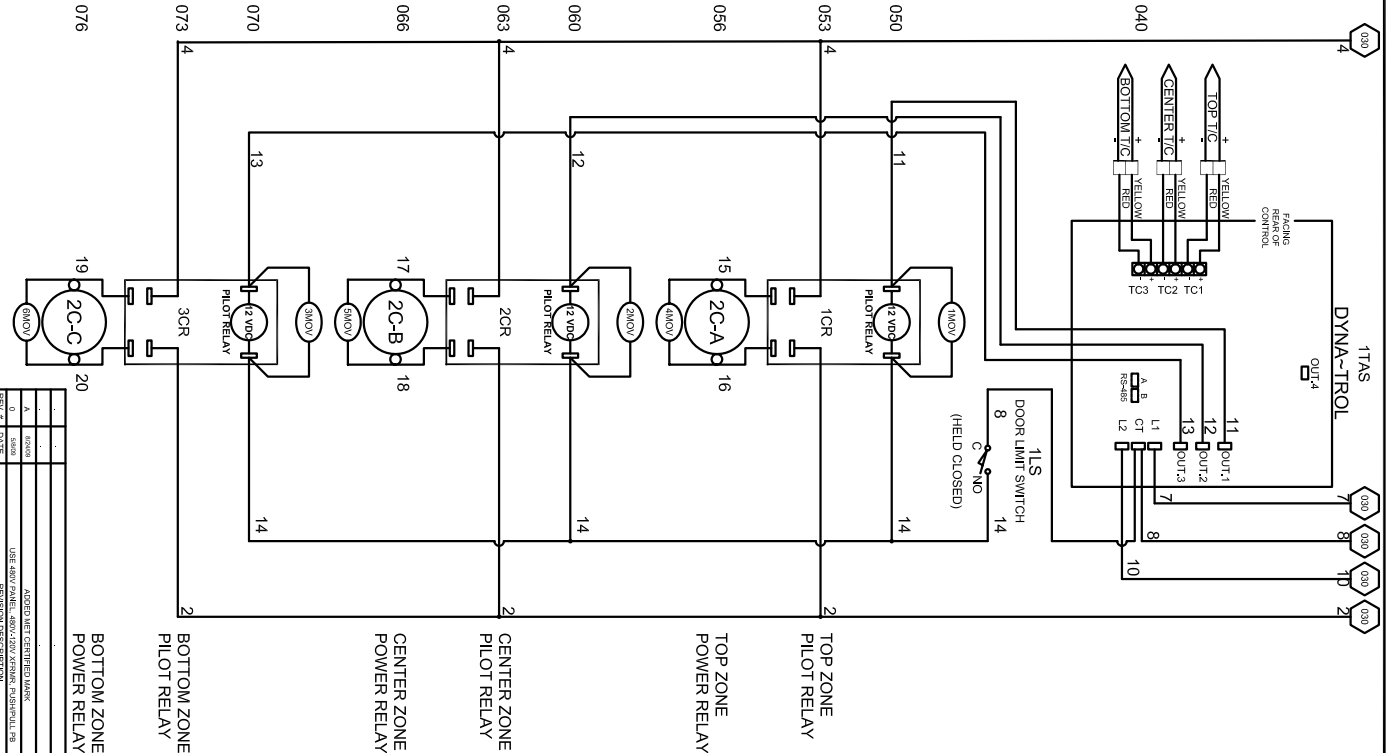
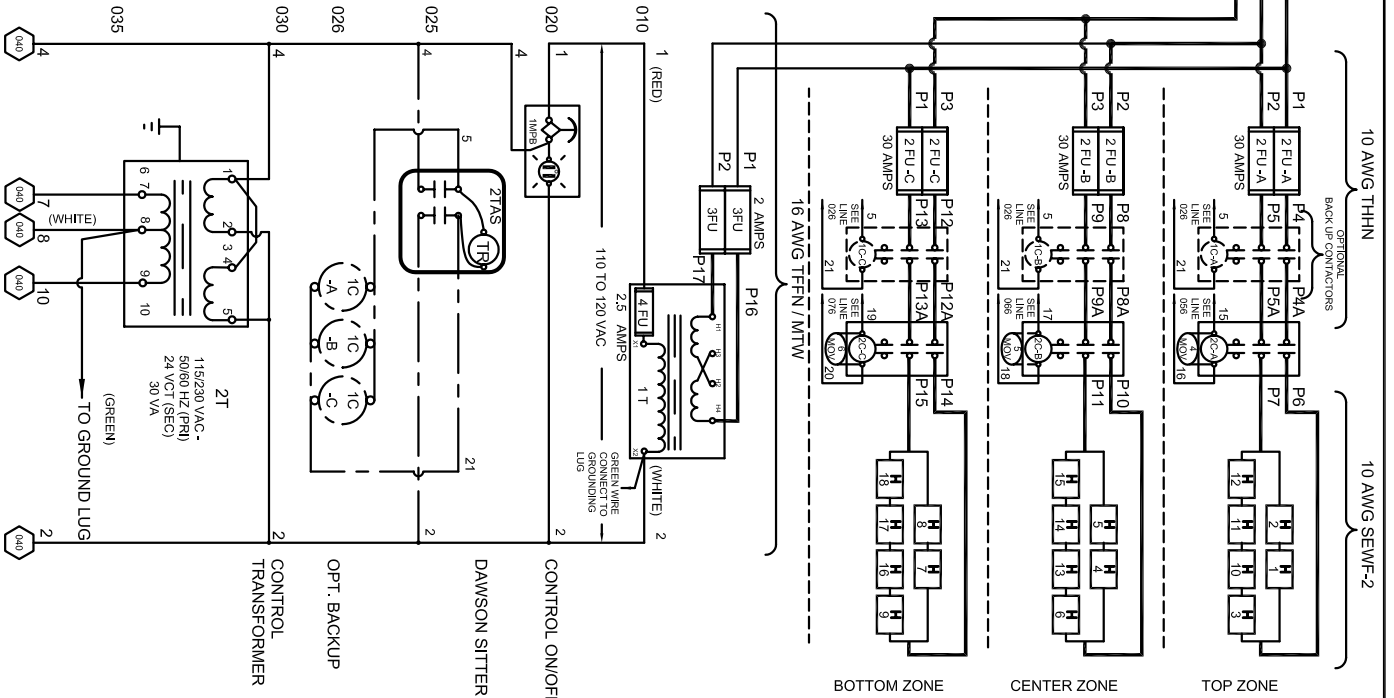


SAFETY SWITCH BY CUSTOMER
 Connect to 480 Volt, 3 Phase
 50 or 60 Cycles.
SEE POWER REQUIREMENT TABLE

POWER REQUIREMENTS	
VOLTAGE	480/3/60
H.P.	24.5
FULL LOAD AMPS	L1 30 L2 30 L3 30



UL 499

DRAWING NO. **350573-62**

SHEET OF **1/2**

REV **A**

L & L SPECIAL FINANCE CO. INC.
 20 WEST 10TH ST. SUITE 200
 DENVER, CO 80202

TITLE **MODEL E1 2448 WIRING DIAGRAM**
480 Vac/3/60 - DYNA-TROL

SCALE **1 = 10**

DATE **1/25/06**

DRAWN BY **RLC**

FILE NAME **L:\PANEL\E12448**
350573-62.dwg

MADE FROM **\350573-22**

REV.#	DATE	REVISION DESCRIPTION
0		ASSEMBLY DRAWING
1		ISSUE
2		ISSUE

BOTTOM ZONE
 POWER RELAY

BOTTOM ZONE
 PILOT RELAY

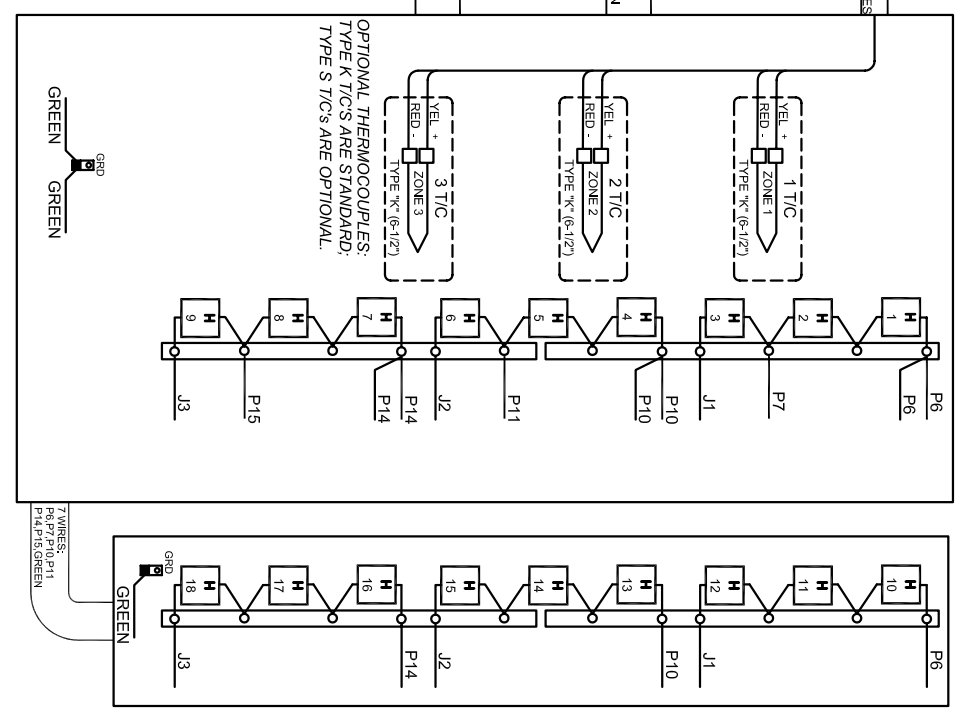
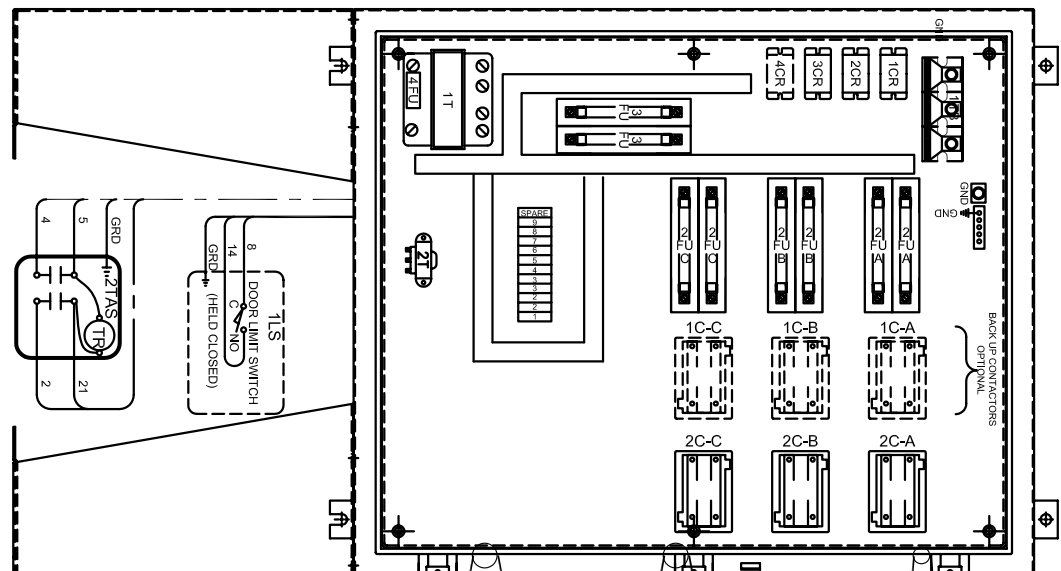
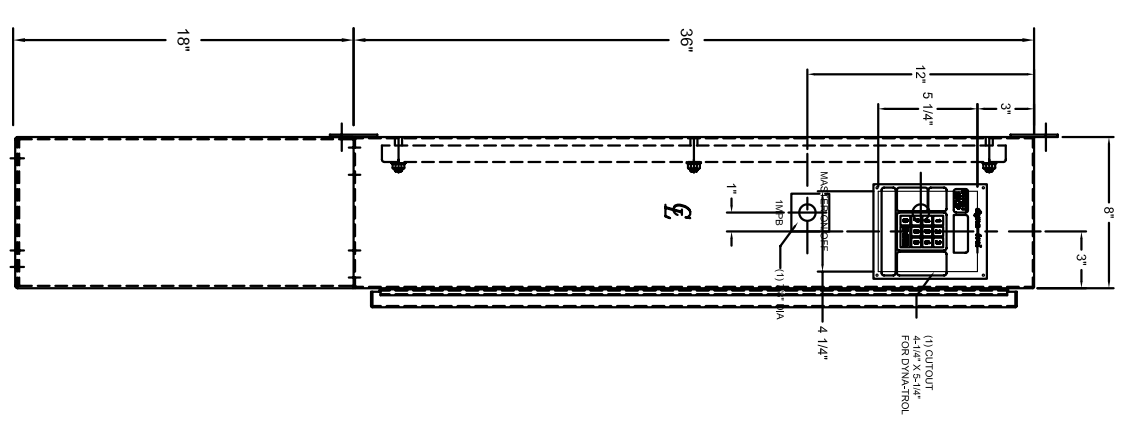
CENTER ZONE
 POWER RELAY

CENTER ZONE
 PILOT RELAY

TOP ZONE
 POWER RELAY

TOP ZONE
 PILOT RELAY

- NOTES:**
- 1) All electrical feeders & equipment will be supplied & installed by the customer. The customer shall be responsible for obtaining all applicable electrical codes, standards, L & L recommendations, any such installation be approved by a certified electrical inspector.
 - 2) For Risks not equipped with a fused safety disconnect switch, L & L will provide the customer with a fused safety disconnect switch to be installed in the field of operation.
 - 3) Industrial & commercial applications may require the installation of a LOCKOUT/TAGOUT device to meet safety & maintenance.
 - 4) Wire gauge and insulation of Power Wires and Control Wires are as marked.
 - 5) Power Wire Color is Black, and Wires are numbered as marked.
 - 6) Control Wire Color is Red, and Wires are numbered as marked.
 - 7) Control Wire Color is Black, and Wires are numbered as marked.
 - 8) Control Wire Color is Red, and Wires are numbered as marked.
 - 9) Control Wire Color is Black, and Wires are numbered as marked.
 - 10) Control Wire Color is Red, and Wires are numbered as marked.
 - 11) Control Wire Color is Black, and Wires are numbered as marked.
- BLACK = 2, 12
 WHITE = 2, 12
 GREEN = GROUNDING AND BONDING WIRES.



DRAWING NO.	SHEET OF	REV	TITLE	SCALE	DATE	DRAWN BY	FILE NAME	MADE FROM
350573-62	2/2	A	MODEL EL 2448 WIRING DIAGRAM 480 Vac/3/60 - DYNA-TROL	1 = 10	1/25/06	RLC	L:\P\EL\EL2448 350573-62.dwg	350573-22



REV #	DATE	REVISION DESCRIPTION
0		ISSUE FOR FABRICATION