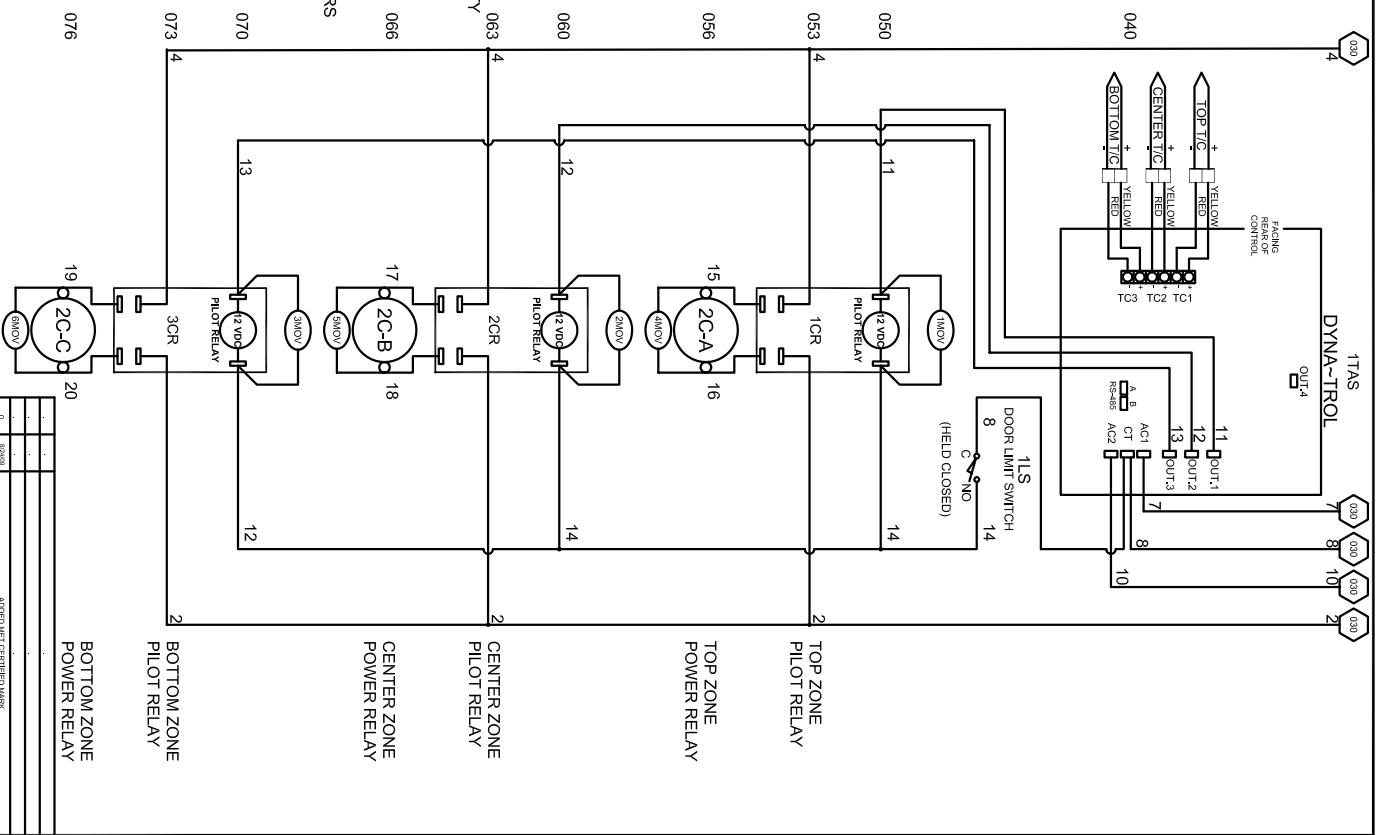
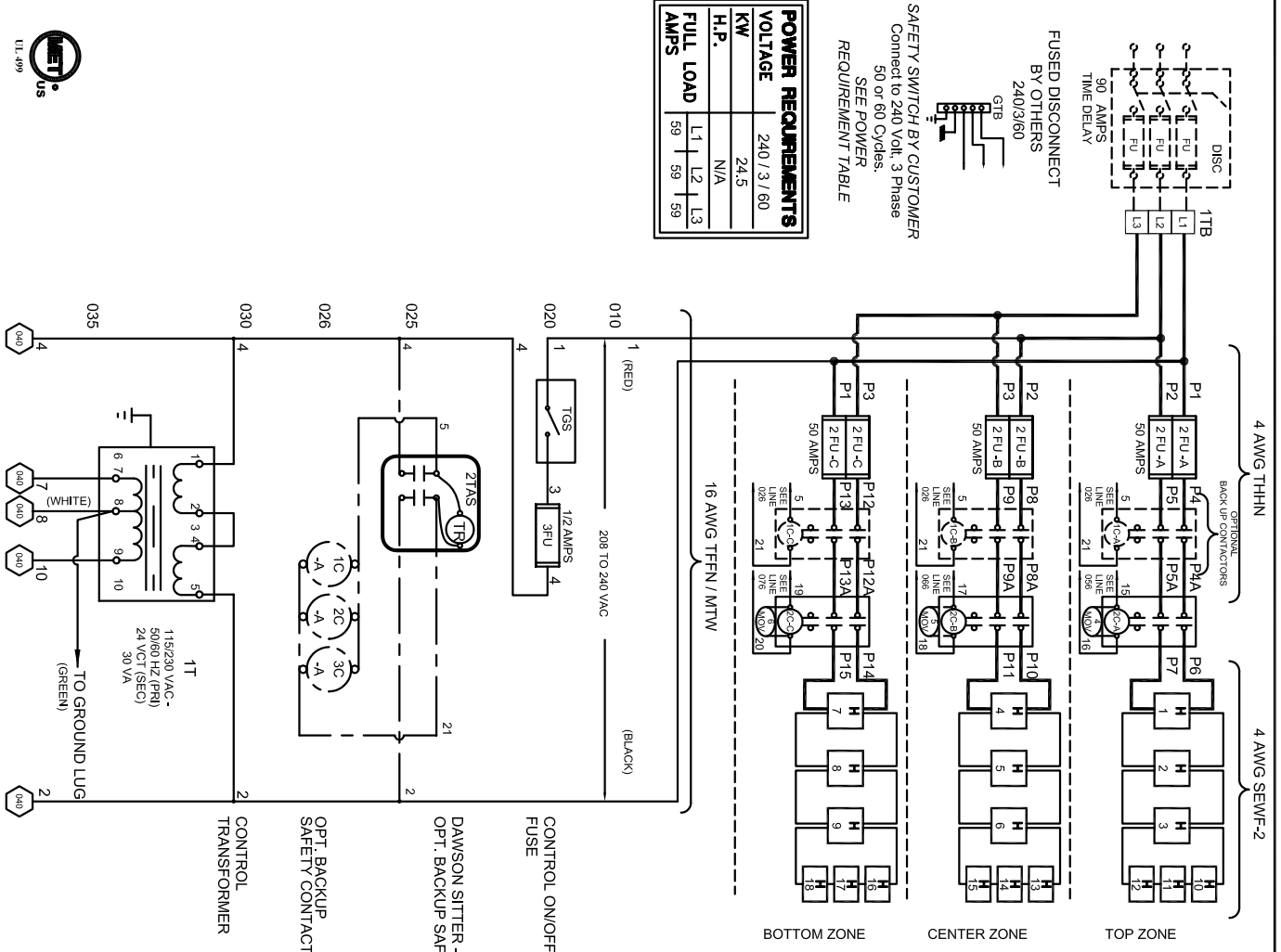
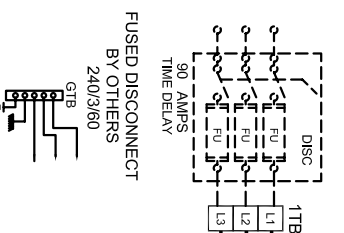


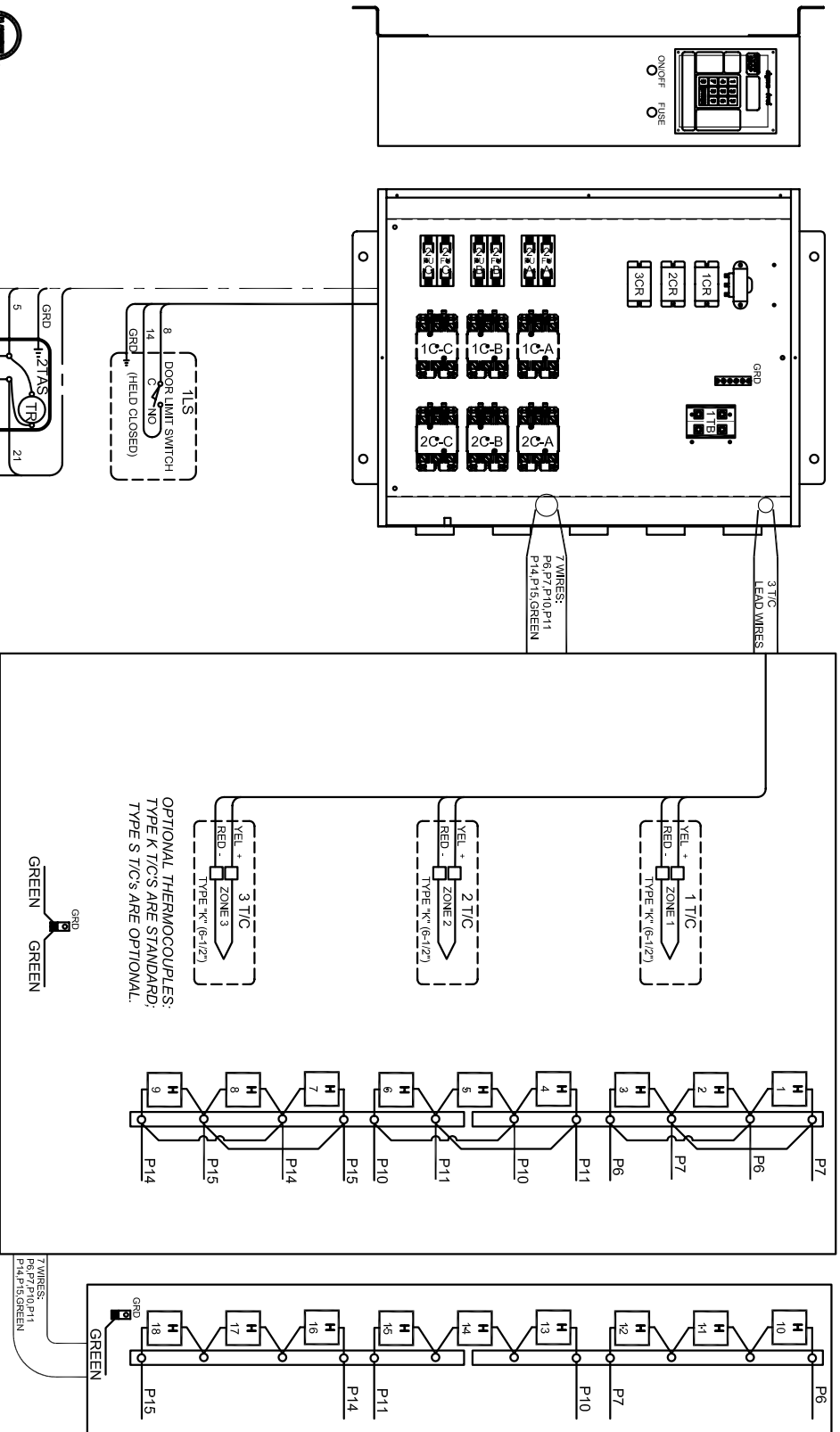
POWER REQUIREMENTS			
VOLTAGE	240 / 3 / 60		
H.P.	24.5		
FULL LOAD AMPS	L1	L2	L3
	59	59	59

SAFETY SWITCH BY CUSTOMER
 Connect to 240 Volt, 3 Phase
 50 or 60 Cycles.
SEE POWER REQUIREMENT TABLE



REV.#	DATE	APPROVED	REVISION DESCRIPTION
0			

- NOTES**
- 1) All electrical feeders & equipment will be supplied & installed by the customer. Meeting requirements set by the local & national electrical code standards. L & L recommends any such installation be approved by a certified electrical inspector.
 - 2) For kilns not equipped with a fused safety disconnect switch, L & L recommends the customer to install such equipment within 6 feet of operating furnace.
 - 3) Industrial & commercial applications may require the installation of a LOCKOUT/TAGOUT device to meet safety & maintenance requirements.
 - 6) Wire gauge and insulation of Power Wires and Control Circuit Wires are as marked.
 - 7) Power Wire Color is Black, and wires are numbered as marked.
 - 8) Control Circuit Wires are numbered as marked, and colors are:
 RED = 1,3,5, 7-13, 15, 17, 19. (WIRE NOS 6 & 9 NOT USED)
 BLACK = 2, 16, 18, 20, 21.
 WHITE = 8, 14.
 GREEN = GROUNDING AND BONDING WIRES.



DAWSON KILN SITTER/TIMER (OPTIONAL)

DRAWING NO.	SHEET OF	REV.	L & L SPECIAL FURNACE CO. INC.	TITLE	SCALE	DATE	DRAWN BY	FILE NAME	MADE FROM
350573-32	2/2	0	30 DAY 10% 60 DAY 20% 90 DAY 30% 1 YEAR 50% 2 YEAR 75% 3 YEAR 90%	MODEL E1 2448 WIRING DIAGRAM 240 Vac/3/60 - DYNA-TROL	1 = 10	1/25/06	DJC	L & L E12448 350573-32.dwg	350573-22

REV.#	DATE	DESCRIPTION
0	Issued	ASSEMBLY DRAWING