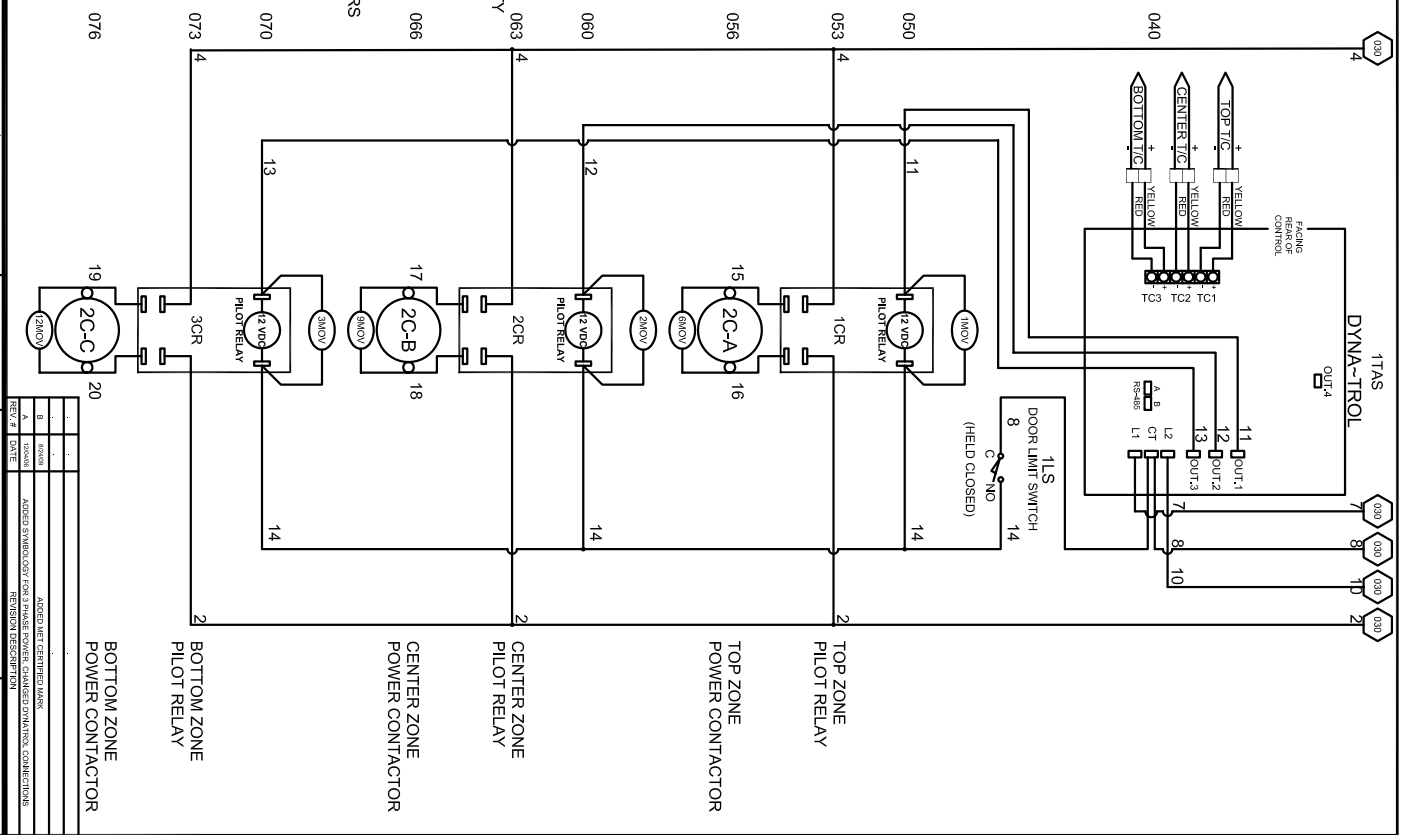
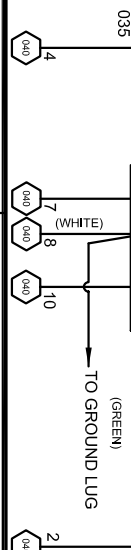
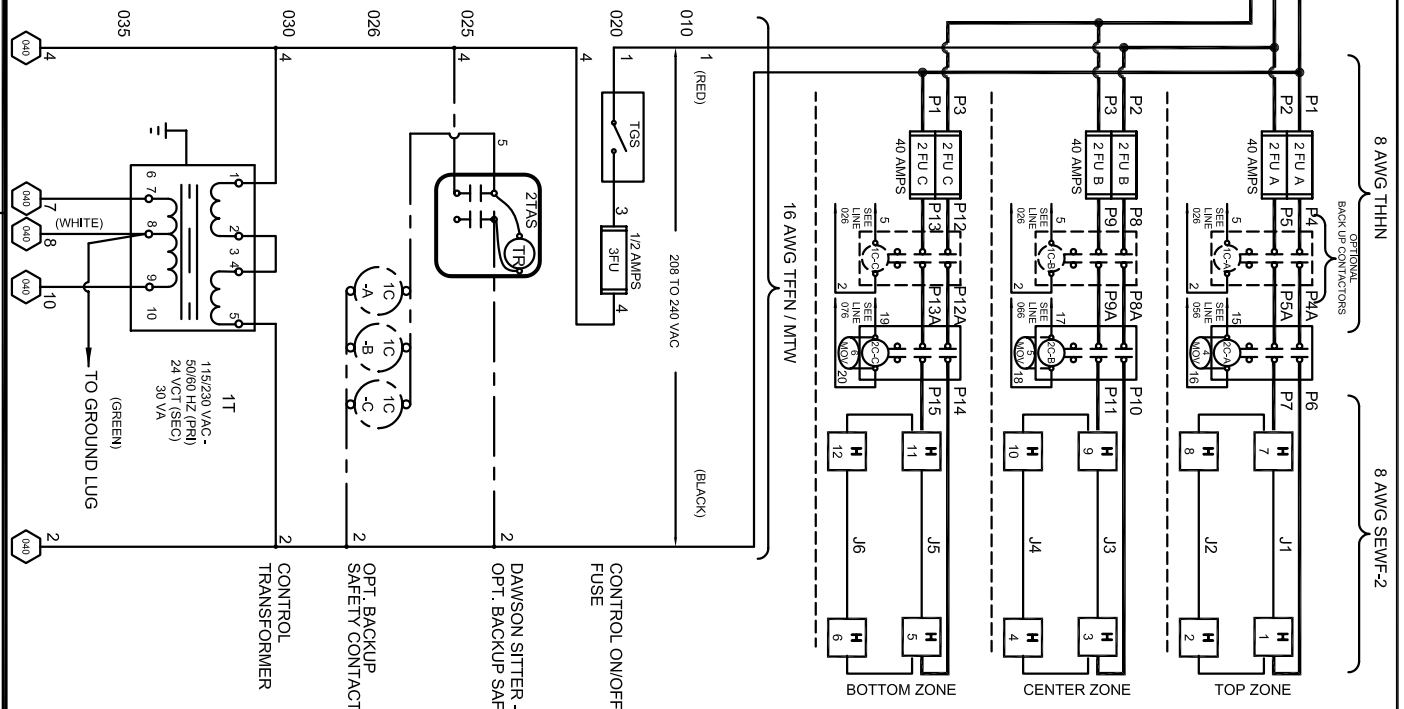


**SAFETY SWITCH BY CUSTOMER**  
Connect to 240 Volt, 3 Phase  
50 or 60 Cycles.  
SEE POWER  
REQUIREMENT TABLE

POWER REQUIREMENTS			
VOLTAGE	240 / 3 / 60		
KW	19		
H.P.	N/A		
FULL LOAD AMPS	L1	L2	L3
	46	46	46



TOP ZONE  
PILOT RELAY

TOP ZONE  
POWER CONTACTOR

CENTER ZONE  
PILOT RELAY

CENTER ZONE  
POWER CONTACTOR

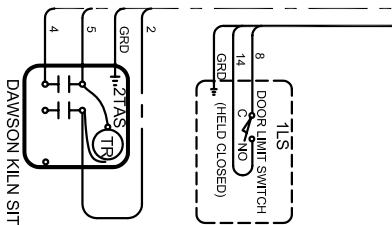
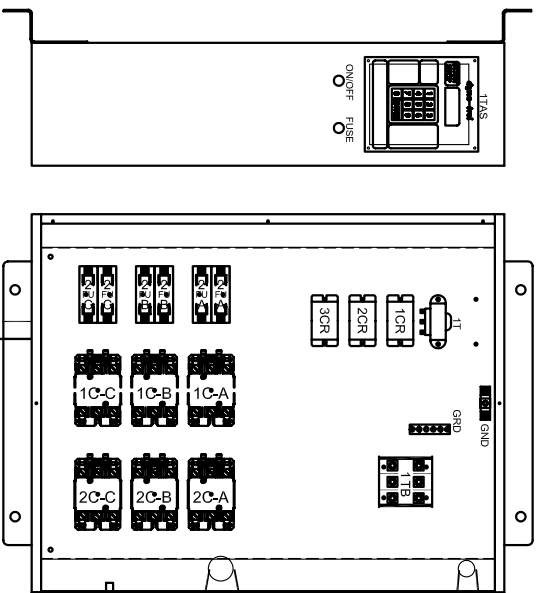
BOTTOM ZONE  
PILOT RELAY

BOTTOM ZONE  
POWER CONTACTOR

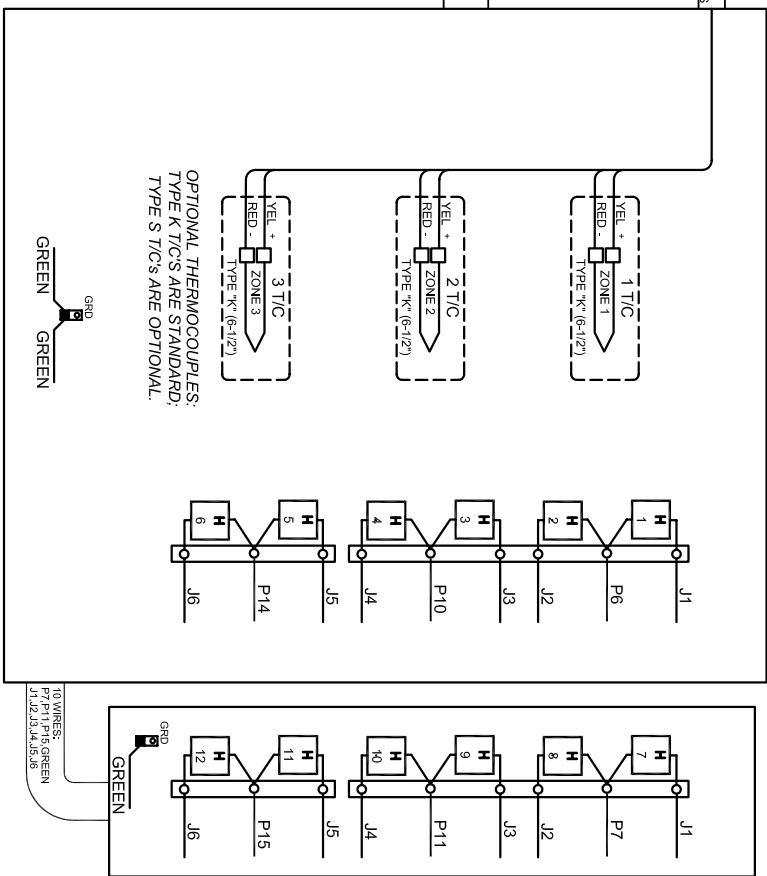




UL 499



DAWSON KILN SITTER/TIMER (OPTIONAL)



OPTIONAL THERMOCOUPLES:  
TYPE K T/C'S ARE STANDARD.  
TYPE S T/C'S ARE OPTIONAL.

- NOTES**
- 1) All electrical feeders & equipment will be supplied & installed by the customer. Meeting requirements set by the local & national electrical code standards. L & L recommends any such installation be approved by a certified electrical inspector.
  - 2) For Kilns not equipped with a fused safety disconnect switch, L & L recommends the customer to install such equipment within 6 feet of operating furnace.
  - 3) Industrial & commercial applications may require the installation of a LOCKOUT/TAGOUT device to meet safety & maintenance requirements.
  - 6) Wire gauge and insulation of Power Wires and Control Circuit Wires are as marked.
  - 7) Power Wire Color is Black, and wires are numbered as marked.
  - 8) Control Circuit Wires are numbered as marked, and colors are:  
RED = 1, 3, 6, 8-11.  
BLACK = 2,  
WHITE = 7, 12.  
GREEN = GROUNDING AND BONDING WIRES.

DRAWING NO.	SHEET OF	REV	TITLE	SCALE	DATE	DRAWN BY	FILE NAME	MADE FROM
350572-32	2/2	B	MODEL EL 2436 WIRING DIAGRAM 240 Vac/3/60 - DYNA-TROL	1 = 10	01/11/06	RLC	L:\P\EL\EL2436 350572-32.dwg	350572-31.dwg

REV #	DATE	REVISION DESCRIPTION
A		ADDED MET CERTIFICATION
B		ISSUES