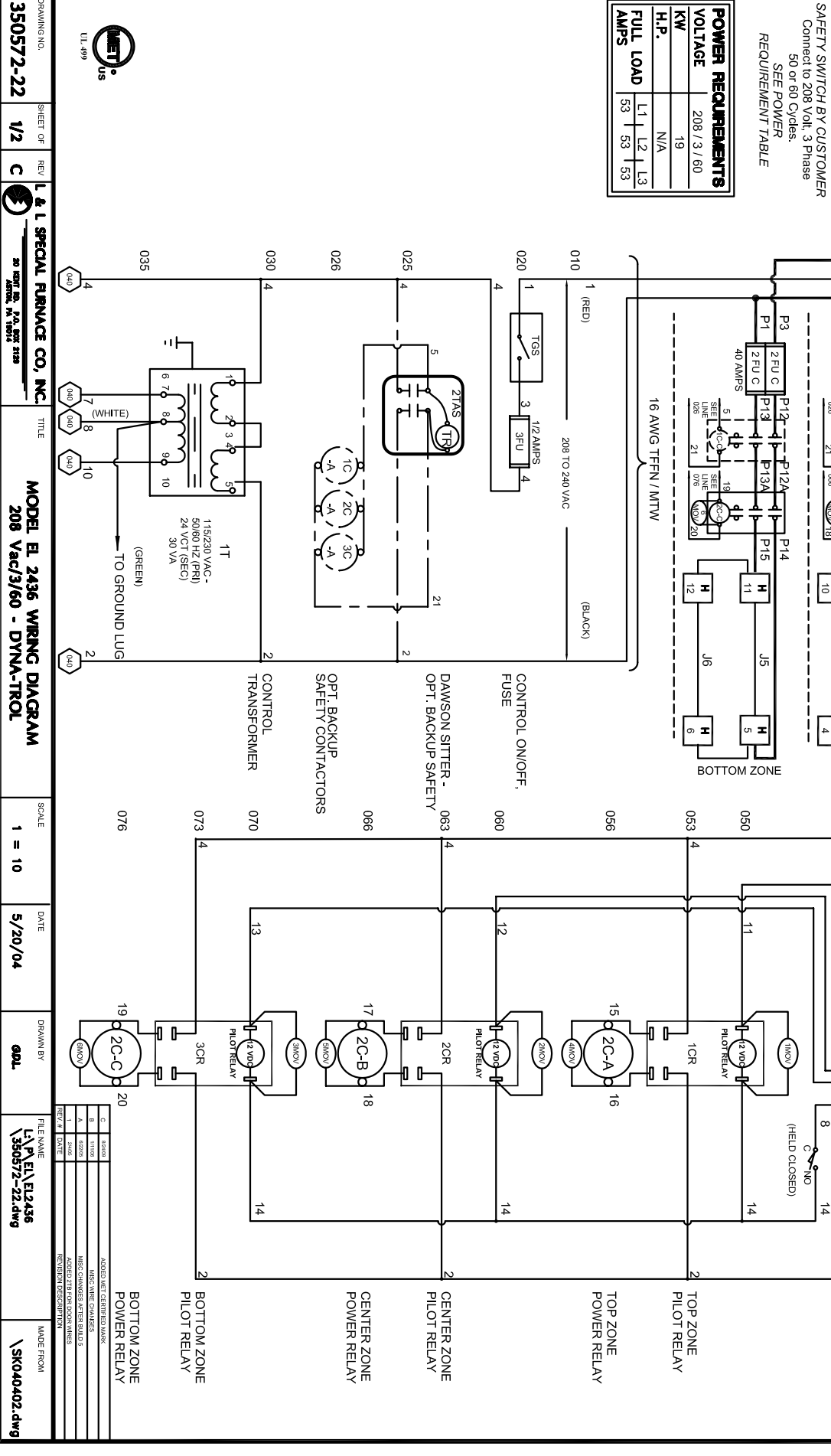
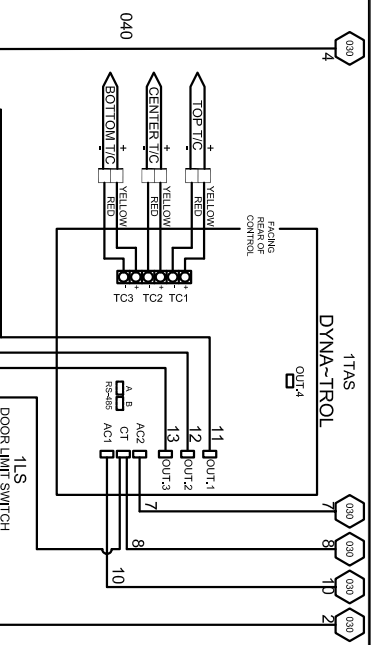
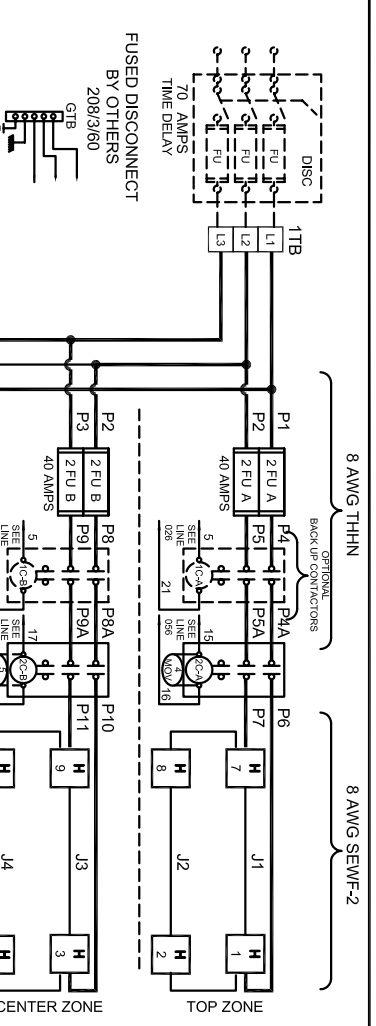


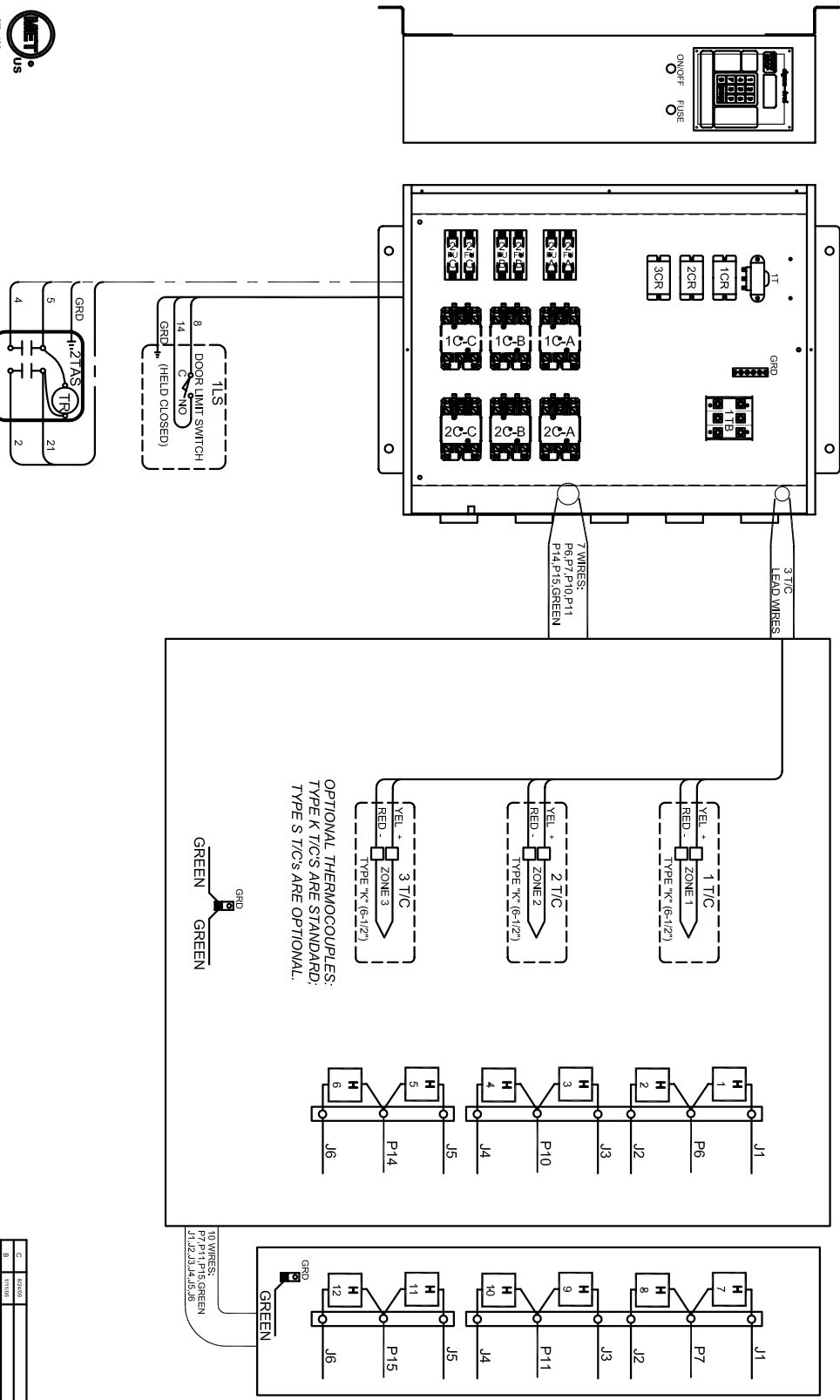
POWER REQUIREMENTS			
VOLTAGE	208 / 3 / 60		
KW	19		
H.P.	N/A		
FULL LOAD			
	L1	L2	L3
AMPS	63	63	53

SAFETY SWITCH BY CUSTOMER
 Connect to 208 Volt, 3 Phase
 50 or 60 Cycles.
 SEE POWER
 REQUIREMENT TABLE



REV.#	DATE	REVISION DESCRIPTION
1		APPROVED FOR CONSTRUCTION
2		APPROVED FOR CONSTRUCTION
3		APPROVED FOR CONSTRUCTION
4		APPROVED FOR CONSTRUCTION
5		APPROVED FOR CONSTRUCTION
6		APPROVED FOR CONSTRUCTION
7		APPROVED FOR CONSTRUCTION
8		APPROVED FOR CONSTRUCTION
9		APPROVED FOR CONSTRUCTION
10		APPROVED FOR CONSTRUCTION

- NOTES**
- 1) All electrical feeders & equipment will be supplied & installed by the customer. Meeting requirements set by the local & national electrical code standards. L & L recommends any such installation be approved by a certified electrical inspector.
 - 2) For Kilns not equipped with a fused safety disconnect switch, L & L recommends the customer to install such equipment within 6 feet of operating furnace.
 - 3) Industrial & commercial applications may require the installation of a LOCKOUT/TAGOUT device to meet safety & maintenance requirements.
 - 6) Wire gauge and insulation of Power Wires and Control Circuit Wires are as marked.
 - 7) Power Wire Color is Black, and wires are numbered as marked.
 - 8) Control Circuit Wires are numbered as marked, and colors are:
 RED = 1, 3, 6, 8, 11, 13, 15, 17.
 BLACK = 2, 14, 16, 18, 19.
 WHITE = 7, 12.
 GREEN = GROUNDING AND BONDING WIRES.



OPTIONAL THERMOCOUPLES:
 TYPE K T/C'S ARE STANDARD.
 TYPE S T/C'S ARE OPTIONAL.



UL 499

DAWSON KILN SITTER/TIMER (OPTIONAL)

DRAWING NO.	SHEET OF	REV	TITLE	SCALE	DATE	DRAWN BY	FILE NAME	MADE FROM
350572-22	1/2	C	L & L SPECIAL FURNACE CO. INC. 20 WEST 10TH ST. NEW YORK, NY 10011	1 = 10	5/20/04	QDL	L:\A\EL\2436\350572-22.dwg	\SK040402.dwg

REV #	DATE	REVISION DESCRIPTION
1	05/20/04	ADDED 21S FOR DOOR WIRING
2		ADDED 1LS FOR DOOR WIRING
3		ADDED 1T, 2C, 3C FOR DOOR WIRING
4		ADDED 1C, 2C, 3C FOR DOOR WIRING
5		ADDED 1C, 2C, 3C FOR DOOR WIRING
6		ADDED 1C, 2C, 3C FOR DOOR WIRING
7		ADDED 1C, 2C, 3C FOR DOOR WIRING
8		ADDED 1C, 2C, 3C FOR DOOR WIRING
9		ADDED 1C, 2C, 3C FOR DOOR WIRING
10		ADDED 1C, 2C, 3C FOR DOOR WIRING
11		ADDED 1C, 2C, 3C FOR DOOR WIRING
12		ADDED 1C, 2C, 3C FOR DOOR WIRING
13		ADDED 1C, 2C, 3C FOR DOOR WIRING
14		ADDED 1C, 2C, 3C FOR DOOR WIRING
15		ADDED 1C, 2C, 3C FOR DOOR WIRING
16		ADDED 1C, 2C, 3C FOR DOOR WIRING
17		ADDED 1C, 2C, 3C FOR DOOR WIRING
18		ADDED 1C, 2C, 3C FOR DOOR WIRING
19		ADDED 1C, 2C, 3C FOR DOOR WIRING
20		ADDED 1C, 2C, 3C FOR DOOR WIRING
21		ADDED 1C, 2C, 3C FOR DOOR WIRING