

**SINGLE PHASE MODELS:**

MODEL JD230-JH	
VOLTAGE	208 / 1 / 50-60
WATTS	12,480
FULL LOAD AMPS	L1   L2   L3 60.0   60.0   <del>X</del>
POWER SUPPLY	FUSE   WIRE 80A   3 AWG
ELEMENTS (E-J-230Q/2K)	QTY   OHMS 6   20.0
VOLTAGE	220 / 1 / 50-60
WATTS	12,540
FULL LOAD AMPS	L1   L2   L3 57.0   57.0   <del>X</del>
POWER SUPPLY	FUSE   WIRE 80A   3 AWG
ELEMENTS (E-J-230Q/4K)	QTY   OHMS 6   22.3
VOLTAGE	240 / 1 / 50-60
WATTS	13,680
FULL LOAD AMPS	L1   L2   L3 57.0   57.0   <del>X</del>
POWER SUPPLY	FUSE   WIRE 80A   3 AWG
ELEMENTS (E-J-230Q/3K)	QTY   OHMS 6   24.3

**THREE PHASE MODELS:**

MODEL JD230-JH	
VOLTAGE	208 / 3 / 50-60
WATTS	12,480
FULL LOAD AMPS	L1   L2   L3 34.7   34.7   34.7
POWER SUPPLY	FUSE   WIRE 50A   6 AWG
ELEMENTS (E-J-230Q/2K)	QTY   OHMS 6   20.0
VOLTAGE	220 / 3 / 50-60
WATTS	12,540
FULL LOAD AMPS	L1   L2   L3 32.9   32.9   32.9
POWER SUPPLY	FUSE   WIRE 50A   6 AWG
ELEMENTS (E-J-230Q/4K)	QTY   OHMS 6   22.3
VOLTAGE	240 / 3 / 50-60
WATTS	13,680
FULL LOAD AMPS	L1   L2   L3 32.9   32.9   32.9
POWER SUPPLY	FUSE   WIRE 50A   6 AWG
ELEMENTS (E-J-230Q/3K)	QTY   OHMS 6   24.3

**1 PHASE CONTROL PANELS:**

MODEL	(AUTO/MANUAL)	WIRING DIAGRAM
JD230-JH	(AUTO)	K262-153
.	.	.
.	.	.

**3 PHASE CONTROL PANELS:**

MODEL	(AUTO/MANUAL)	WIRING DIAGRAM
JD230-JH	(AUTO)	K262-154
.	.	.
.	.	.

**SEE CONTROL PANEL WIRING DIAGRAM FOR WIRING CONNECTIONS TO KILN ZONE RECEPTACLES**

**NOTES:**

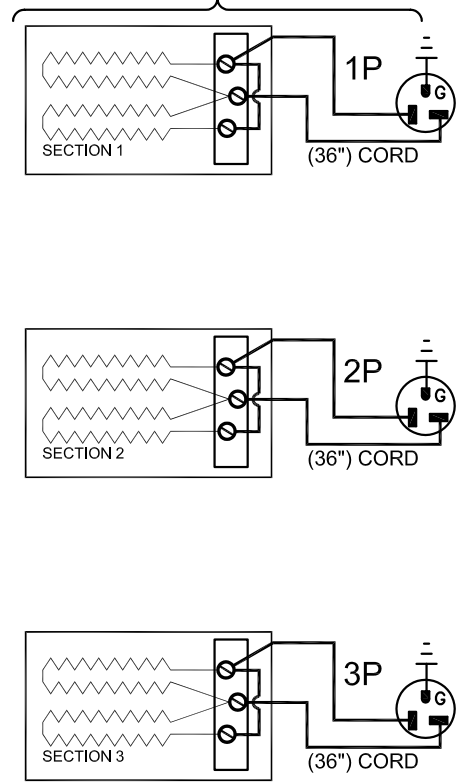
Industrial & commercial applications may require the installation of a LOCKOUT/TAGOUT device to prevent the Kiln from operating during maintenance.

This Kiln is recommended to be wired & connected to an approved U. L. & NEC configured disconnect switch and properly fused according to the KW load specification listed on the Kiln Nameplate. L&L Kiln Mfg., Inc., also recommends fuses rather than circuit breakers to prevent nuisance tripping.

**ELECTRICAL PARTS LIST**

SYMBOL	QTY	DESCRIPTION	CUSTOMER PART NO.
P	3	36" PLUGS NEMA 6-20P	L-J-JC36/00
.	.	.	.
.	.	.	.

**KILN ASSEMBLY**



SECTIONS CONTROLLED BY EACH OF THE 'DYNA-TROL' OUTPUTS:  
OUTPUT #1 (TOP)  
OUTPUT #2 (CENTER)  
OUTPUT #3 (BOTTOM)

Output Numbers refer to Dyna-Trol Outputs on Automatic Kilns only.

**CAUTION: DO NOT PLUG KILN SECTIONS DIRECTLY TO LINE VOLTAGE**

REV#	DATE	REVISION DESCRIPTION
B	10/19/09	EDITED MODEL NUMBER INFORMATION
A	9/18/08	UPDATED ELECTRICAL SPECIFICATIONS
0	6/5/08	FIRST ISSUE

**L&L Kilns**  
hotkilns.com  
505 SHARPTOWN ROAD  
SWEDESBORO, NJ 08085  
PHONE: (856) 294-0077  
FAX: (856) 294-0070

TITLE  
**JUPITER KILN WIRING DIAGRAM  
MODEL JD230-JH  
CRYSTALLINE KILN WITH A1 ELEMENTS  
1 or 3 PHASE KILN ASSEMBLY  
3 SECTIONS, No Power Bottom**

DRAWN BY	<b>B.N.M</b>	REV. CODE	DRAWING NO.
DATE	6/5/08	SCALE	1 = 8
CHK	<b>S.J.L.</b>	APP	<b>B</b> KSH080601
JOB NO	SER NO	SHEET NO.   OF	
FILE NAME	L:\E\LLKILN\WIRDGKLN\KSH080601.dwg	MADE FROM	IK037-110