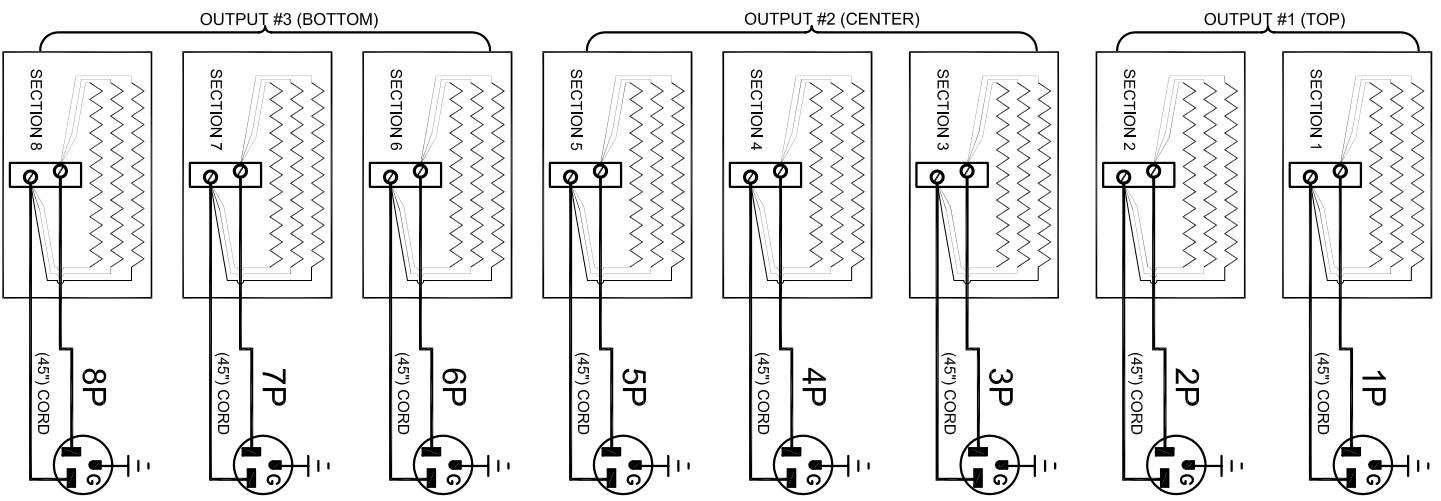


KILN ASSEMBLY

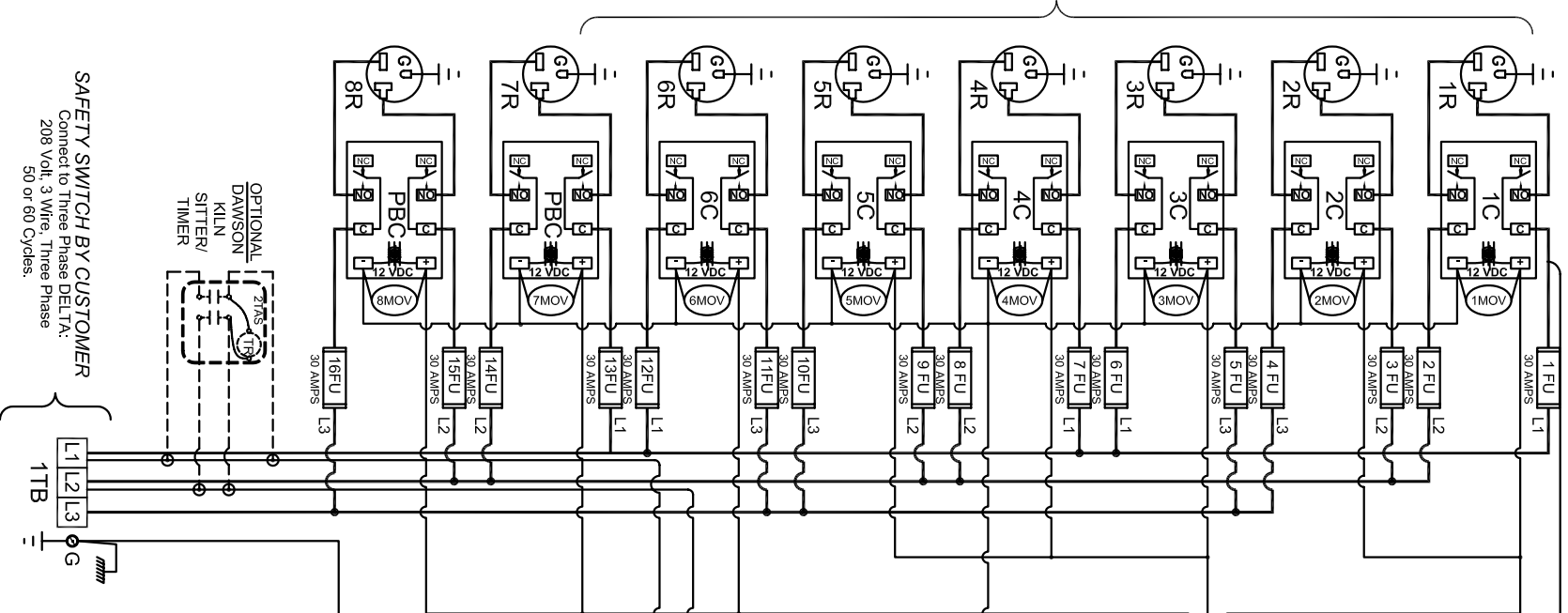


SECTIONS CONTROLLED BY EACH OF THE 'DYNA-TROL' OUTPUTS:



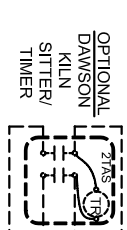
**CAUTION: DO NOT PLUG
KILN SECTIONS DIRECTLY
TO LINE VOLTAGE**

SEE KILN WIRING DIAGRAM
PLUG KILN SECTION COPS INTO RESPECTIVE CAPS INTO RESPECTIVE RECEPTACLES



PANEL ASSEMBLY

SAFETY SWITCH BY CUSTOMER
Connect to Three Phase DELTA:
208 Volt, 3 Wire, Three Phase
50 or 60 Cycles.



ELECTRICAL PARTS LIST

SYMBOL	QTY	DESCRIPTION	CUSTOMER PART NO.
1TTB	1	POWER CONNECTION BOARD	L-1-PBL/G/01
1TAS	1	BARTLETT DYNATROL	N-G-D300/00
T/C	3	THERMOCOUPLES (8 GA)	T-G-E800/00
C	8	POWER RELAYS	L-G-RL25/12
1-8MOV	8	31 VOLT SURGE SUPPRESSORS	L-G-MOV/00
1FU	1	CONTROL FUSE	L-G-FS05/00
1FUB	1	PANEL MOUNT FUSE HOLDER	L-G-FSPB/00
1TGS	1	ON/OFF TOGGLE SWITCH	L-G-SWTG/00
XFRMR	1	STEP DOWN TRANSFORMER	(new)
FU(B)	8	ELEMENT BRANCH CIRCU FUSEBLOCKS	L-G-FH30/20
FU(S)	16	ELEMENT BRANCH CIRCUIT FUSES	L-G-FS30/1L
R	8	SINGLE RECEPTACLE NEMA 6-20R	L-1-SR20/00
2TAS	1(OPT)	DAWSON KILN SITTER	N-G-LT30/00
P	8	45" PLUGS NEMA 6-20P	L-1-IC45/00

MODEL JD2972			
VOLTAGE	240 / 3 / 50-60		
KW	36,480		
FULL LOAD AMPS	L1	L2	L3
	82.8	98.7	82.8
POWER SUPPLY	FUSE	WIRE	
	125A	1/0 AWG	
ELEMENTS	QTY	OHMS	
	24	37.9	

NOTES:
Industrial & commercial applications may require the installation of a LOCKOUT/TAGOUT device to prevent the kiln from operating during maintenance.

This Kiln is recommended to be wired & connected to an approved U. L. & NEC configured disconnect switch and properly fused according to the KW load specification listed on the Kiln Nameplate. L&L Kiln Mfg., Inc., also recommends fuses rather than circuit breakers to prevent nuisance tripping.



MODEL JD2972-240-3P
WIRING DIAGRAM
240 VAC-3PH-50/60HZ
DYNATROL CONTROLLER

DATE	9/8/09	SCALE	NONE
CHK		APP	
DRAWN BY	G.D.L.	REV. CODE	-
DRAWING NO.			
SHEET NO.	1	OF	1
FILE NAME	L&L\KILN\MSC\ORDERS\KS090901.DWG		
JOB NO.	39707	SERIAL NO.	090309-ECPST00
DATE		MADE FROM	KS091001.DWG