

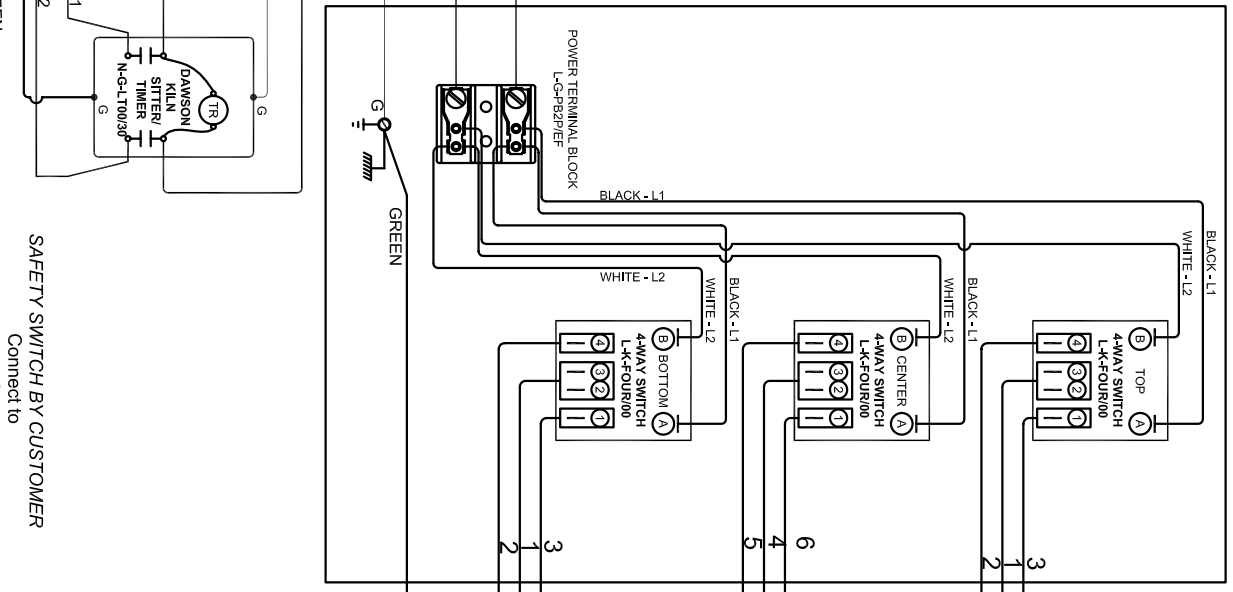
NOTES:

Control Wire:
16 AWG, 105°C
Power Wire:
10 AWG, 150°C

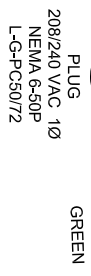
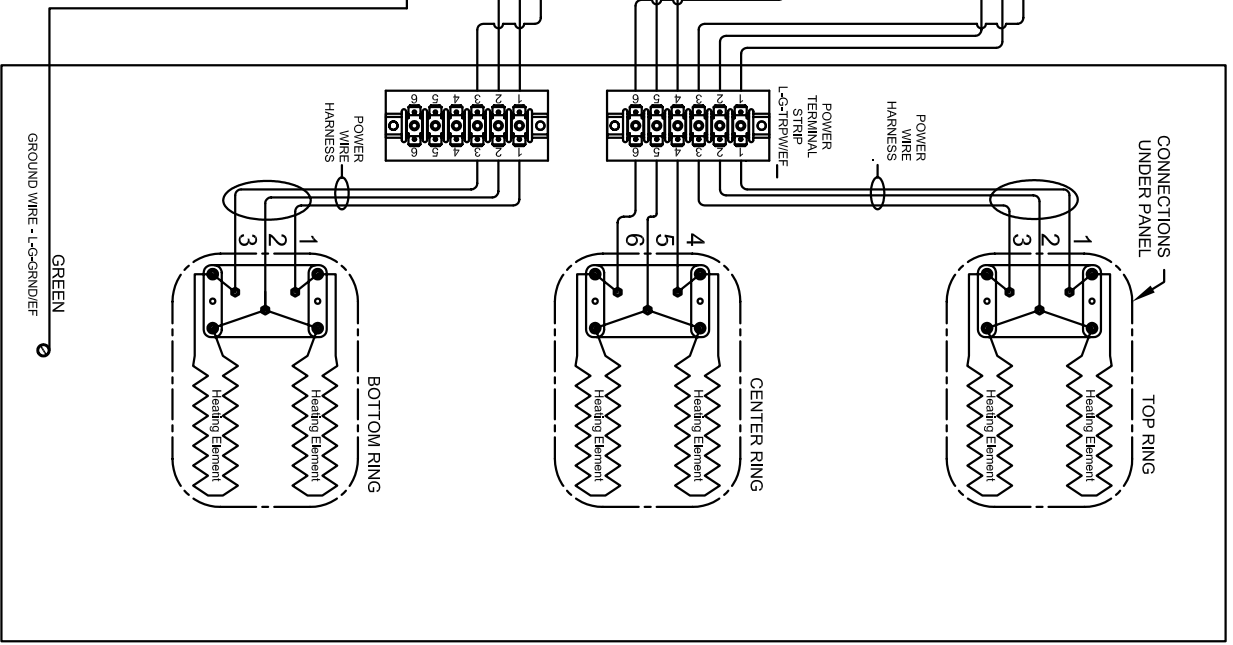
Industrial & commercial applications may require the installation of a LOCKOUT/TAGOUT device to prevent the Kiln from operating during maintenance.

This Kiln is recommended to be wired & connected to an approved U. L. & NEC configured receptacle controlled with a disconnect switch and properly fused according to the KW load load specification listed on the Kiln Nameplate. L&L Kin Mfg., Inc., also recommends fuses rather than circuit breakers to prevent nuisance tripping.

LOOKING INSIDE CONTROL PANEL



LOOKING AT OUTSIDE OF ELEMENT COVER PANEL



SAFETY SWITCH BY CUSTOMER
Connect to
240 Volt, 2 Wire, Single Phase - or
220 Volt, 2 Wire, Single Phase - or
208 Volt, 2 Wire, Single Phase
50 or 60 Cycles.

DRAWING NO.	SHEET OF	REV	TITLE	SCALE	DATE	DRAWN BY	FILE NAME	MADE FROM
K310-101	1/1	A	MODEL D28T EASY-FIRE KILN 1 PHASE WIRING DIAGRAM	1 = 8	10/30/07	G.D.L.	L:\ELLKILN\INDURAFIRE	K306-101

REV #	DATE	REVISION DESCRIPTION
A	10/30/07	UNDATED LOGO & ADDRESS INFORMATION
0	10/30/07	FIRST ISSUE

Model	VOLTAGE	WATTS	FULL LOAD AMPS	POWER SUPPLY	ELEMENTS (E-E-28T/27)
D28T-208	208 / 1 / 50-60	9980	L1 L2 L3 48.0 48.0	FUSE WIRE 60A 6 awg	QTY OHMS 6 25.0
Model D28T-220	220 / 1 / 50-60	10560	L1 L2 L3 48.0 48.0	FUSE WIRE 60A 6 AWG	QTY OHMS 6 26.5
Model D28T-240	240 / 1 / 50-60	11520	L1 L2 L3 48.0 48.0	FUSE WIRE 60 A 6 AWG	QTY OHMS 6 28.9

505 SHARPTOWN RD.
SWEDENBORO, NJ 08886
PHONE: (956) 294-0077
FAX: (956) 294-0070



208/240 VAC, 1Ø
NEMA 6-50P
L-G-PC50772