

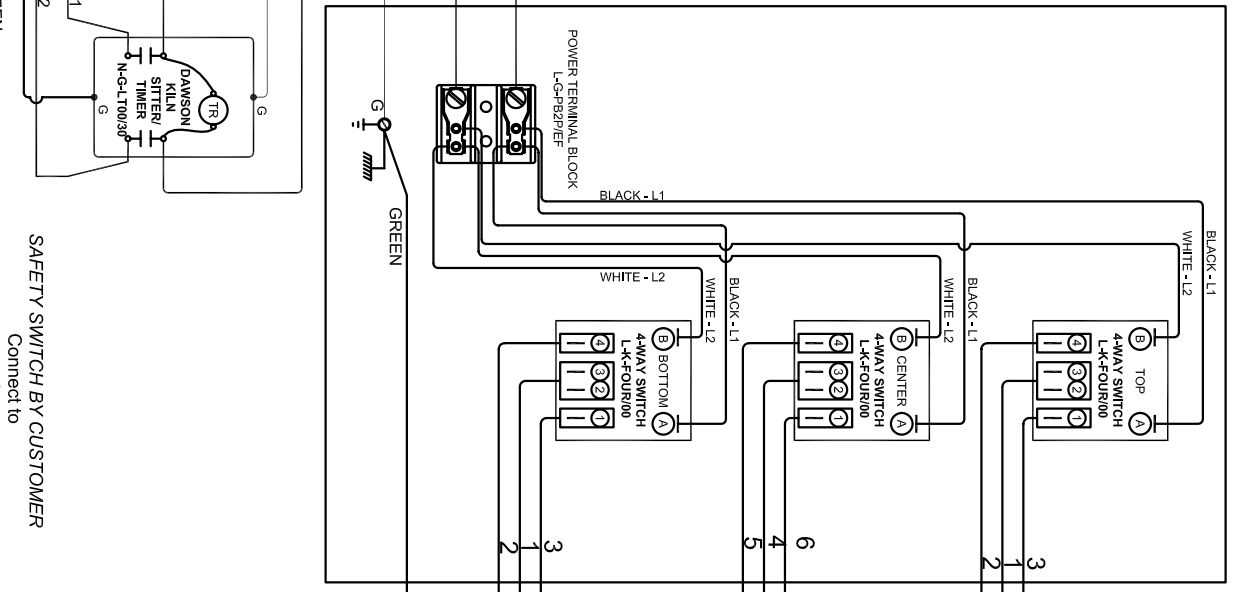
NOTES:

Control Wire:
16 AWG, 105°C
Power Wire:
10 AWG, 150°C

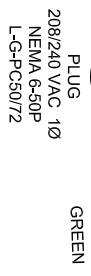
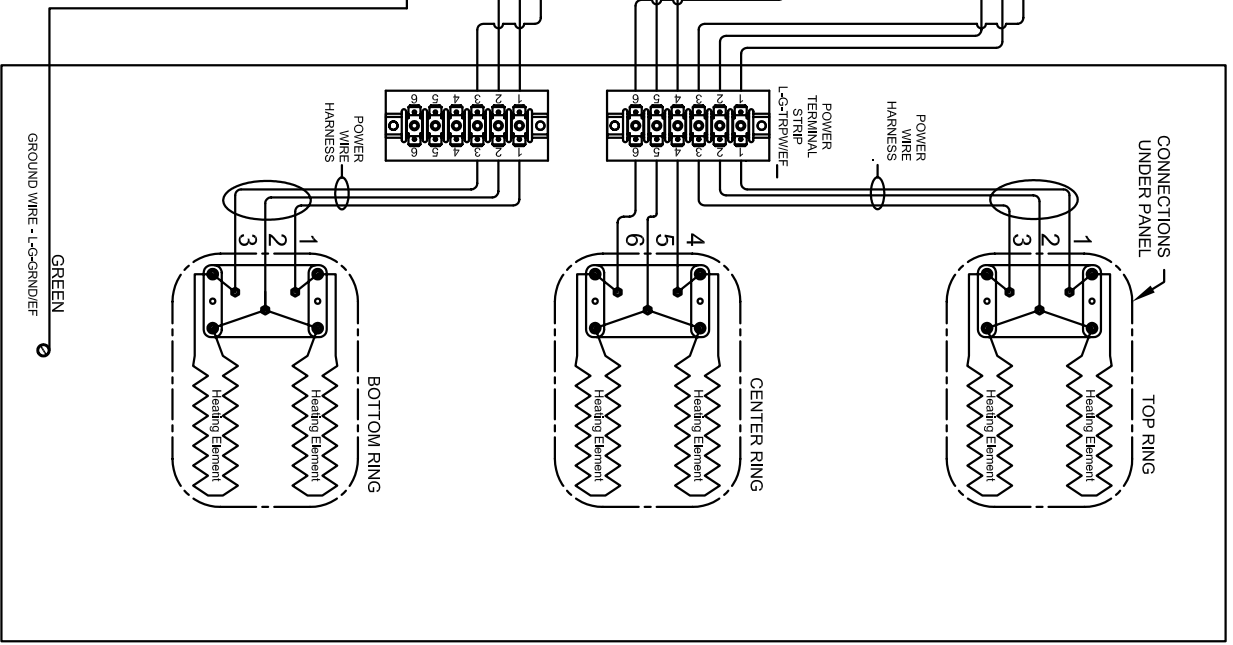
Industrial & commercial applications may require the installation of a LOCKOUT/TAGOUT device to prevent the Kiln from operating during maintenance.

This Kiln is recommended to be wired & connected to an approved U. L. & NEC configured receptacle controlled with a disconnect switch and properly fused according to the KW load load specification listed on the Kiln Nameplate. L&L Kiln Mfg., Inc. also recommends fuses rather than circuit breakers to prevent nuisance tripping.

LOOKING INSIDE CONTROL PANEL



LOOKING AT OUTSIDE OF ELEMENT COVER PANEL



PLUG
208/240 VAC, 1Ø
NEMA 6-50P
L-G-PC5072

SAFETY SWITCH BY CUSTOMER
Connect to
240 Volt, 2 Wire, Single Phase - or
220 Volt, 2 Wire, Single Phase - or
208 Volt, 2 Wire, Single Phase
50 or 60 Cycles.

Model D23T-208

VOLTAGE	208 / 1 / 50-60		
WATTS	9980		
FULL LOAD AMPS	L1	L2	L3
	48.0	48.0	X
POWER SUPPLY	FUSE	WIRE	
	60A	6 awg	
ELEMENTS (E-E-23TL/21)	QTY	OHMS	
	6	25.0	

Model D23T-220

VOLTAGE	220 / 1 / 50-60		
WATTS	10560		
FULL LOAD AMPS	L1	L2	L3
	48.0	48.0	X
POWER SUPPLY	FUSE	WIRE	
	60A	6 AWG	
ELEMENTS (E-E-23TL/41)	QTY	OHMS	
	6	26.5	

Model D23T-240

VOLTAGE	240 / 1 / 50-60		
WATTS	11520		
FULL LOAD AMPS	L1	L2	L3
	48.0	48.0	X
POWER SUPPLY	FUSE	WIRE	
	60 A	6 AWG	
ELEMENTS (E-E-23TL/31)	QTY	OHMS	
	6	28.9	

DRAWING NO. **K306-101** SHEET OF **1/1** REV. **C**

L&L Kilns
Innovations.com
505 SHARPTOWN RD.
SWEDENBORO, NJ 08886
PHONE: (953) 294-0077
FAX: (953) 294-0070

TITLE **MODEL D23T EASY-FIRE KILN 1 PHASE WIRING DIAGRAM** SCALE **1 = 8** DATE **7/14/05** DRAWN BY **G.D.L.**

FILE NAME **L:\ELL\KILN\URAFIRE K301-106.DWG** MADE FROM **K301-101**

REV #	DATE	REVISION DESCRIPTION
C		UPDATED LOGO & ADDRESS INFORMATION
B		4-WAY SWITCH RE-IDENTIFIED CONNECTED ELEMENT PIN
A		CHANGED WIRE LOCATIONS ON ELEMENT TERMINALS
0		FIRST ISSUE