

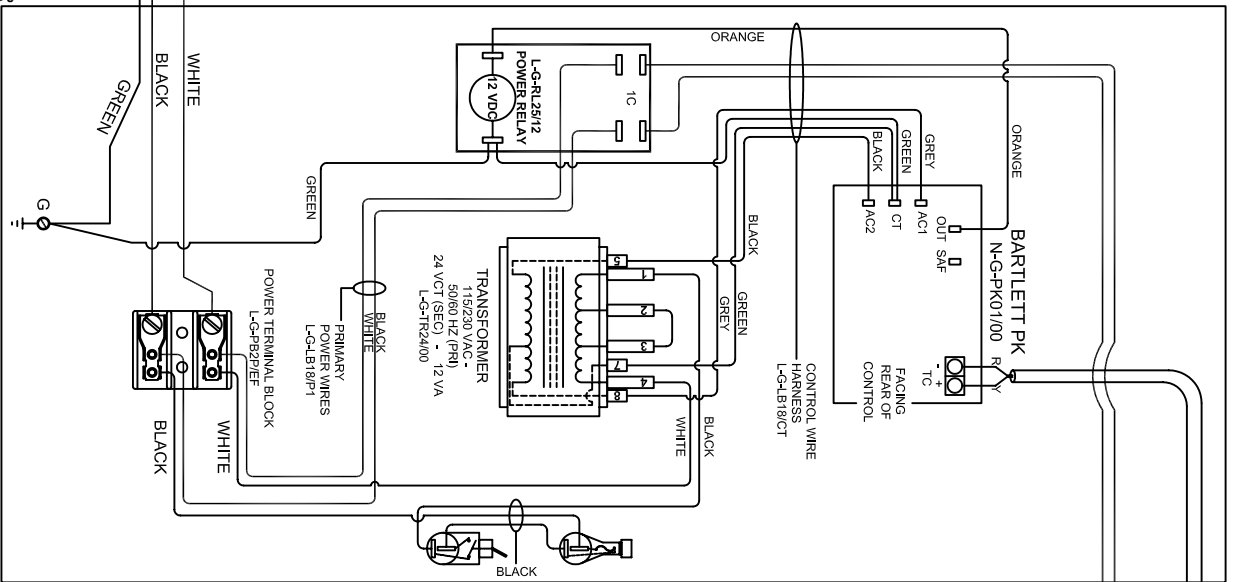
NOTES:

Control Wire:
16 AWG, 105°C
Power Wire:
10 AWG, 150°C

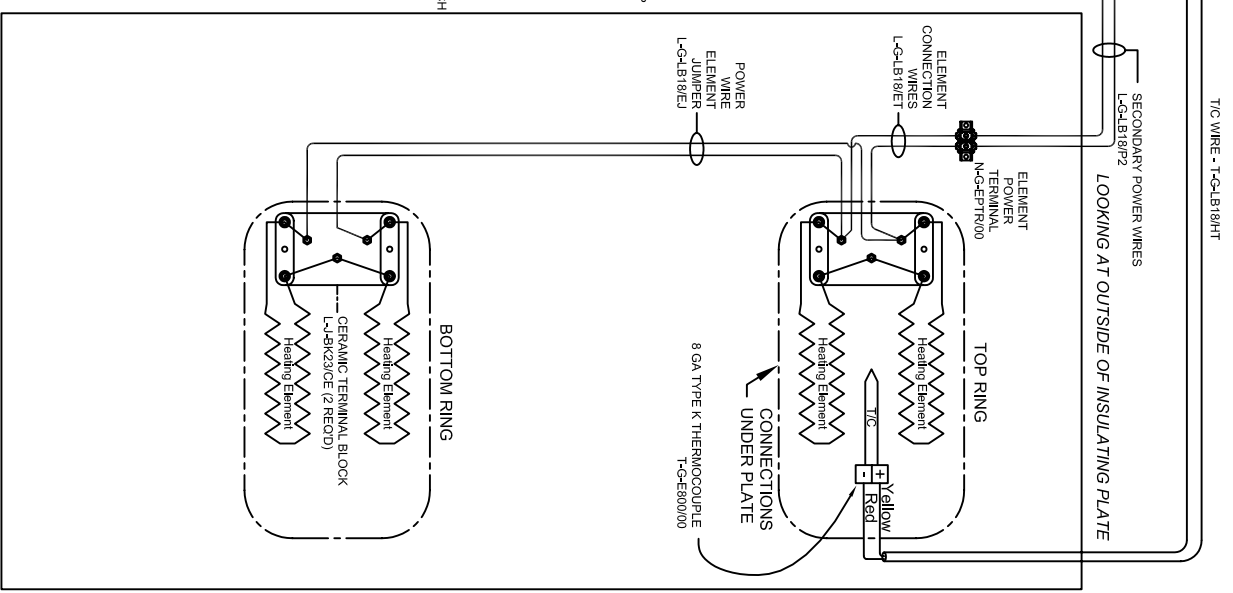
Industrial & commercial applications may require the installation of a LOCKOUT/TAGOUT device to prevent the Kiln from operating during maintenance.

This Kiln is recommended to be wired & connected to an approved U. L. & NEC configured receptacle controlled with a disconnect switch and properly fused according to the KW load load specification listed on the Kiln Nameplate. L&L Kiln Mfg., Inc. also recommends fuses rather than circuit breakers to prevent nuisance tripping.

LOOKING INSIDE CONTROL PANEL



LOOKING AT OUTSIDE OF INSULATING PLATE



**Model LB18
208 Volts**

VOLTAGE	208 / 1 / 50-60		
WATTS	4980		
FULL LOAD AMPS	L1	L2	L3
	23.9	23.9	X
POWER SUPPLY	FUSE	WIRE	
	30A	10 AWG	
ELEMENTS (E-L-1800-20)	QTY	OHMS	
	4	8.3	

**Model LB18
220 Volts**

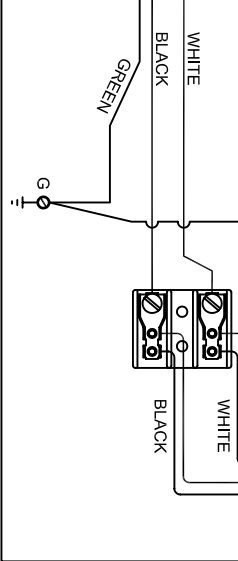
VOLTAGE	220 / 1 / 50-60		
WATTS	5267		
FULL LOAD AMPS	L1	L2	L3
	23.9	23.9	X
POWER SUPPLY	FUSE	WIRE	
	30A	10 AWG	
ELEMENTS (E-L-1800-40)	QTY	OHMS	
	4	8.8	

**Model LB18
240 Volts**

VOLTAGE	240 / 1 / 50-60		
WATTS	5737		
FULL LOAD AMPS	L1	L2	L3
	23.9	23.9	X
POWER SUPPLY	FUSE	WIRE	
	30A	10 AWG	
ELEMENTS (E-L-1800-30)	QTY	OHMS	
	4	9.6	

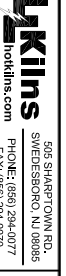
SAFETY SWITCH BY CUSTOMER

Connect to
240 Volt, 2 Wire, Single Phase - or
220 Volt, 2 Wire, Single Phase - or
208 Volt, 2 Wire, Single Phase
50 or 60 Cycles.



Note: Neutral Not Used

DRAWING NO. **K213-151** SHEET OF **1/1** REV **A**



TITLE **MODEL LB18 LIBERTY BELLE KILN
1 PHASE WIRING DIAGRAM**

SCALE **1 = 8**

DATE **11/5/03**

DRAWN BY **G.D.L.**

FILE NAME **L:\ELL\KILN\LIBERTY_BELLE
K213-151.DWG** MADE FROM **NEW**

REV #	DATE	REVISION DESCRIPTION
0	11/03	ADDED NEW LOGO
1		FIRST ISSUE