

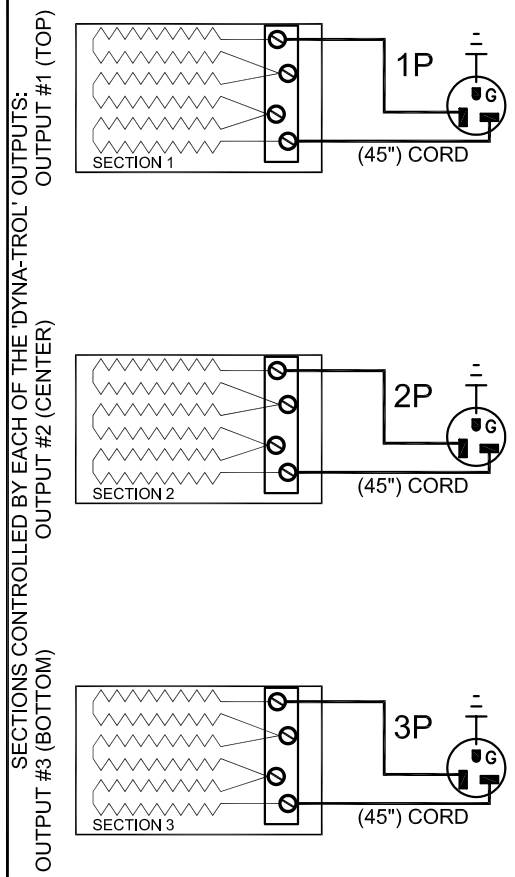
SINGLE PHASE MODELS:

MODELS X1827 & X1827-D	
VOLTAGE	208 / 1 / 50-60
KW	9.8
FULL LOAD AMPS	L1 L2 L3 47.3 47.3 X
POWER SUPPLY	FUSE WIRE 60A 6 AWG
ELEMENTS (E-X-1800/20)	QTY OHMS 9 4.4
VOLTAGE	220 / 1 / 50-60
KW	9.8
FULL LOAD AMPS	L1 L2 L3 44.7 44.7 X
POWER SUPPLY	FUSE WIRE 60A 6 AWG
ELEMENTS (E-X-1800/40)	QTY OHMS 9 4.9
VOLTAGE	240 / 1 / 50-60
KW	9.8
FULL LOAD AMPS	L1 L2 L3 41.0 41.0 X
POWER SUPPLY	FUSE WIRE 60A 6 AWG
ELEMENTS (E-X-1800/30)	QTY OHMS 9 5.9

THREE PHASE MODELS:

MODELS X1827 & X1827-D	
VOLTAGE	208 / 3 / 50-60
KW	9.8
FULL LOAD AMPS	L1 L2 L3 27.3 27.3 27.3
POWER SUPPLY	FUSE WIRE 40A 8 AWG
ELEMENTS (E-X-1800/20)	QTY OHMS 9 4.4
VOLTAGE	220 / 3 / 50-60
KW	9.8
FULL LOAD AMPS	L1 L2 L3 25.8 25.8 25.8
POWER SUPPLY	FUSE WIRE 40A 8 AWG
ELEMENTS (E-X-1800/40)	QTY OHMS 9 4.9
VOLTAGE	240 / 3 / 50-60
KW	9.8
FULL LOAD AMPS	L1 L2 L3 23.6 23.6 23.6
POWER SUPPLY	FUSE WIRE 30A 10 AWG
ELEMENTS (E-X-1800/30)	QTY OHMS 9 5.9

KILN ASSEMBLY



1 PHASE CONTROL PANELS:

3 PHASE CONTROL PANELS:

MODEL	(AUTO/MANUAL)	WIRING DIAGRAM	MODEL	(AUTO/MANUAL)	WIRING DIAGRAM
X1827	(MANUAL)	K262-103	X1827	(MANUAL)	K262-104
X1827-D	(AUTO)	K262-161	X1827-D	(AUTO)	K262-162



SEE CONTROL PANEL WIRING DIAGRAM FOR WIRING CONNECTIONS TO KILN ZONE RECEPTACLES

NOTES:

Industrial & commercial applications may require the installation of a LOCKOUT/TAGOUT device to prevent the Kiln from operating during maintenance.

This Kiln is recommended to be wired & connected to an approved U. L. & NEC configured disconnect switch and properly fused according to the KW load specification listed on the Kiln Nameplate. L&L Kiln Mfg., Inc., also recommends fuses rather than circuit breakers to prevent nuisance tripping.

Output Numbers refer to Dyna-Trol Outputs on Automatic Kilns only.



CAUTION: DO NOT PLUG KILN SECTIONS DIRECTLY TO LINE VOLTAGE

REV#	DATE	REVISION DESCRIPTION
A	10/23/09	REPLACED UL MARK WITH MET CERTIFIED MARK & ADDED NEW LOGO
0	9/12/02	MISC CHANGES FOR RELEASE

LKilns hotkilns.com
 505 SHARPTOWN ROAD
 SWEDESBORO, NJ 08085
 PHONE: (856) 294-0077
 FAX: (856) 294-0070

TITLE **DaVINCI KILN WIRING DIAGRAM**
MODELS X1827 & X1827-D
1 or 3 PHASE KILN ASSEMBLY
3 SECTIONS, No Power Bottom

ELECTRICAL PARTS LIST

SYMBOL	QTY	DESCRIPTION	CUSTOMER PART NO.
P	3	45" PLUGS NEMA 6-20P	L-J-JC45/00

DRAWN BY G.D.L.	REV. CODE A	DRAWING NO. K108-110
DATE 1/11/01	SCALE 1 = 8	
CHK G.D.L.	APP	
JOB NO	SER NO	SHEET NO. OF
FILE NAME L:\EVL\KILN\WIRING\KLN	MADE FROM	DAVINCIK107-150.dwg