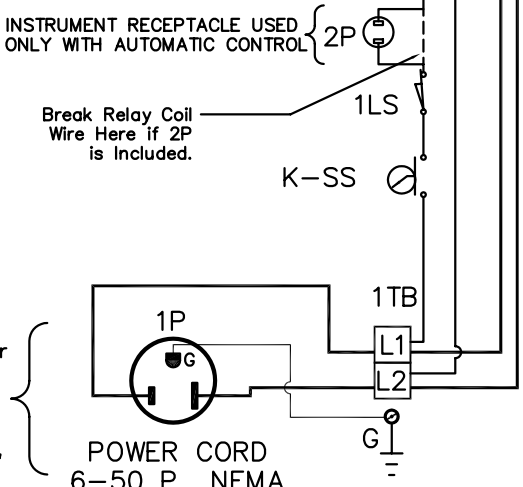


NOTES:
 All control & power wiring is No. 14 AWG, SEWF-2.
Caution:
 Industrial & commercial applications may require the installation of a LOCKOUT/TAGOUT device to prevent the Kiln from operating during maintenance.
 This Kiln is recommended to be wired & connected to an approved U. L. & NEC configured receptacle and properly fused according to the KW load specification listed on the Kiln Nameplate. L&L Kiln Mfg., Inc., also recommends fuses rather than circuit breakers to prevent nuisance tripping.



SAFETY SWITCH BY CUSTOMER
 Connect to 240 Volt, 2 Wire, Single Phase - or
 220 Volt, 2 Wire, Single Phase - or
 208 Volt, 2 Wire, Single Phase
 50 or 60 Cycles.
**SEE POWER REQUIREMENTS TABLE ABOVE,
 AND KILN NAMEPLATE AMP/VOLT RATINGS**

POWER REQUIREMENTS	
208 VOLTS	1 PHASE
50-60 HZ	10.0 KW
48.0 AMPS	60 A Class H FUSES
220 VOLTS	1 PHASE
50-60 HZ	10.0 KW
45.5 AMPS	60 A Class H FUSES
240 VOLTS	1 PHASE
50-60 HZ	10.0 KW
41.6 AMPS	60 A Class H FUSES

ELECTRICAL PARTS LIST

SYMBOL	QTY	DESCRIPTION	SHOP PART NO.	CUSTOMER PART NO.
1P	1	72" POWER PLUG NEMA 6-50P	E-CRD-372050-A1	L-G-PC50/72
1TB	1	POWER CONNECTION BOARD	E-TER-2X6095-A1	L-S-PB00/00
1TAS	1	DAWSON KILN SITTER W/ TIMER	T-DAW-LT3240-A1	N-G-LT30/00
C (240)	3	POWER CONTACTORS	E-CNT-D02521-A1	L-G-RL30/30
C (208)	3	POWER CONTACTORS	E-CNT-D02521-A2	L-G-RL30/20
SM (240)	3	INPUT ZONE SWITCHES	E-INF-240XXX-A1	L-J-INF0/30
SM (208)	3	INPUT ZONE SWITCHES	E-INF-208XXX-A1	L-J-INF0/20
LT	3	INPUT ZONE PILOT LIGHTS	E-PIL-SR250V-A1	L-G-PILO/00
K-SS	1	KEY ON/OFF SWITCH	E-INF-240XXX-A1	L-S-KS00/00
1LS	1	DOOR LIMIT SWITCH	E-LIM-BL29SX-A1	L-G-SWLM/00
2P	1	INSTRUMENT RECEPTACLE	E-CNE-S302RP-A1	L-G-JNFM/00
H (240)	6	240 Volt HEATING ELEMENTS	.	E-S-2418/30
H (208)	6	208 Volt HEATING ELEMENTS	.	E-S-2418/20
H (220)	6	220 Volt HEATING ELEMENTS	.	E-S-2418/40

REV#	DATE	REVISION DESCRIPTION
B	11/2/09	UPDATED LOGO, ADDRESS, TITLE BLOCK, & BORDER
A	2/28/97	ELEMENTS CHANGED TO PARALLEL CIRCUITS
0	8/22/95	FIRST ISSUE

L&L Kilns
 hotkilns.com
 505 SHARPTOWN ROAD
 SWEDESBORO, NJ 08085
 PHONE: (856) 294-0077
 FAX: (856) 294-0070

**MODEL SQ2418
 WIRING DIAGRAM**

208 or 220 or 240 Volts / 1 Phase

DRAWN BY	G.D.L.	REV. CODE	B	DRAWING NO.	K097-101
DATE	8/22/95	SCALE	1 = 8		
CHK		APP			
JOB NO	STANDARD	SER NO	-	SHEET NO.	OF
FILE NAME	L:\E\LLKILN_(INACTIVE)\SQ-MODEL		MADE FROM	SQ2418-1 (Manual L&L Mfg Dwg)	