

SINGLE PHASE MODELS:

MODELS J236-PB & JD236-PB	
VOLTAGE	208 / 1 / 50-60
KW	13.7
FULL LOAD AMPS	L1 L2 L3 65.9 65.9 X
POWER SUPPLY	FUSE WIRE 90A 2 AWG
ELEMENTS (E-J-2300/20)	QTY OHMS 9 28.4
VOLTAGE	220 / 1 / 50-60
KW	14.5
FULL LOAD AMPS	L1 L2 L3 65.9 65.9 X
POWER SUPPLY	FUSE WIRE 90A 2 AWG
ELEMENTS (E-J-2300/40)	QTY OHMS 9 30.0
VOLTAGE	240 / 1 / 50-60
KW	15.8
FULL LOAD AMPS	L1 L2 L3 65.9 65.9 X
POWER SUPPLY	FUSE WIRE 90A 2 AWG
ELEMENTS (E-J-2300/30)	QTY OHMS 9 32.7

THREE PHASE MODELS:

MODELS J236-PB & JD236-PB	
VOLTAGE	208 / 3 / 50-60
KW	13.7
FULL LOAD AMPS	L1 L2 L3 44.4 38.1 31.7
POWER SUPPLY	FUSE WIRE 60A 6 AWG
ELEMENTS (E-J-2300/20)	QTY OHMS 9 28.4
VOLTAGE	220 / 3 / 50-60
KW	14.5
FULL LOAD AMPS	L1 L2 L3 44.4 38.1 31.7
POWER SUPPLY	FUSE WIRE 60A 6 AWG
ELEMENTS (E-J-2300/40)	QTY OHMS 9 30.0
VOLTAGE	240 / 3 / 50-60
KW	15.8
FULL LOAD AMPS	L1 L2 L3 44.4 38.1 31.7
POWER SUPPLY	FUSE WIRE 60A 6 AWG
ELEMENTS (E-J-2300/30)	QTY OHMS 9 32.7

1 PHASE CONTROL PANELS:

MODEL	(AUTO/MANUAL)	WIRING DIAGRAM
J236-PB	(MANUAL)	K263-107
JD236-PB	(AUTO)	K263-157

3 PHASE CONTROL PANELS:

MODEL	(AUTO/MANUAL)	WIRING DIAGRAM
J236-PB	(MANUAL)	K263-108
JD236-PB	(AUTO)	K263-158



SEE CONTROL PANEL WIRING DIAGRAM FOR WIRING CONNECTIONS TO KILN ZONE RECEPTACLES

NOTES:

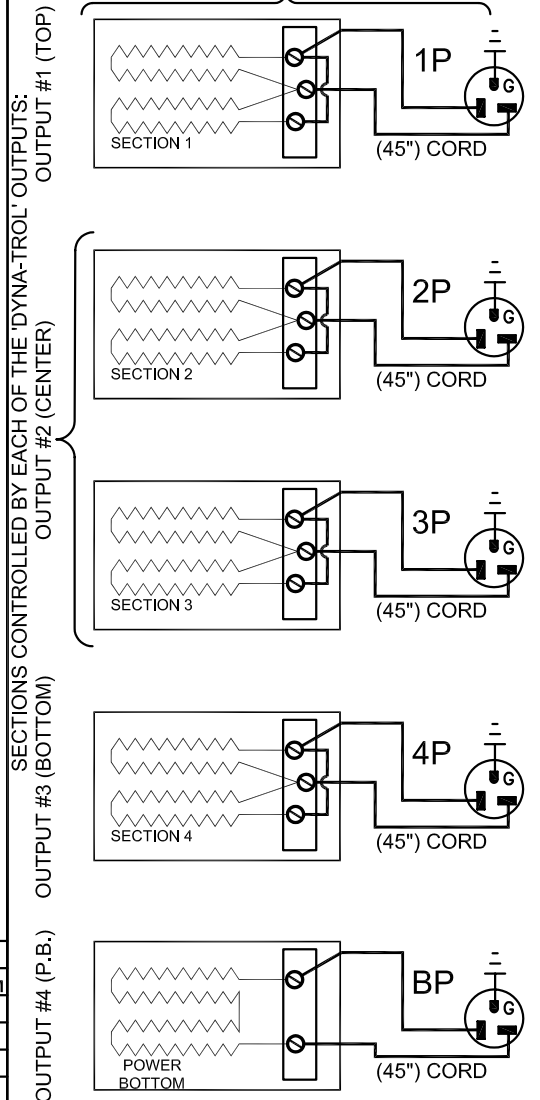
Industrial & commercial applications may require the installation of a LOCKOUT/TAGOUT device to prevent the Kiln from operating during maintenance.

This Kiln is recommended to be wired & connected to an approved U. L. & NEC configured disconnect switch and properly fused according to the KW load specification listed on the Kiln Nameplate. L&L Kiln Mfg., Inc., also recommends fuses rather than circuit breakers to prevent nuisance tripping.

ELECTRICAL PARTS LIST

SYMBOL	QTY	DESCRIPTION	CUSTOMER PART NO.
P	5	45" PLUGS NEMA 6-20P	L-J-JC45/00

KILN ASSEMBLY



Output Numbers refer to Dyna-Trol Outputs on Automatic Kilns only.



CAUTION: DO NOT PLUG KILN SECTIONS DIRECTLY TO LINE VOLTAGE

REV#	DATE	REVISION DESCRIPTION
A	10/23/09	REPLACED UL MARK WITH MET CERTIFIED MARK & ADDED NEW LOGO
0	9/12/02	MISC CORRECTIONS FOR RELEASE / DISCONTINUED HAND-HELD

L&L Kilns
hotkilns.com
505 SHARPTOWN ROAD
SWEDESBORO, NJ 08085
PHONE: (856) 294-0077
FAX: (856) 294-0070

TITLE: **JUPITER KILN WIRING DIAGRAM**
MODELS J236-PB and JD236-PB
1 or 3 PHASE KILN ASSEMBLY
4 SECTIONS, With Power Bottom

DRAWN BY	G.W.L.	REV. CODE	A	DRAWING NO.	K038-111
DATE	01/09/01	SCALE	1 = 8		
CHK	G.D.L.	APP			
JOB NO.		SER NO.		SHEET NO.	1 OF 1
FILE NAME	L:\E\ILLKILN\WIRING\K038-111.DWG	MADE FROM			USERIES\K037-152.dwg