

MODEL J23-PB =
ZONES 1 THRU 2 & B
2-9" RINGS & PWR BOT

MODEL J230-PB =
ZONES 1 THRU 3 & B
3-9" RINGS & PWR BOT

MODEL J236-PB =
ZONES 1 THRU 4 & B
4-9" RINGS & PWR BOT

NOTE:
CONTACT THE
FACTORY IF
YOU HAVE AN
OLDER KILN
WITH 15 AMP
CORDS AND
RECEPTACLES,
AND YOU ARE
IN NEED OF
REPLACEMENTS.

SAFETY SWITCH BY CUSTOMER
Connect to 240 Volt, 2 Wire, Single Phase - or
220 Volt, 2 Wire, Single Phase - or
208 Volt, 2 Wire, Single Phase
50 or 60 Cycles.

SEE POWER REQUIREMENTS TABLE ABOVE.

TO CONVERT TO AUTOMATIC CONTROL:

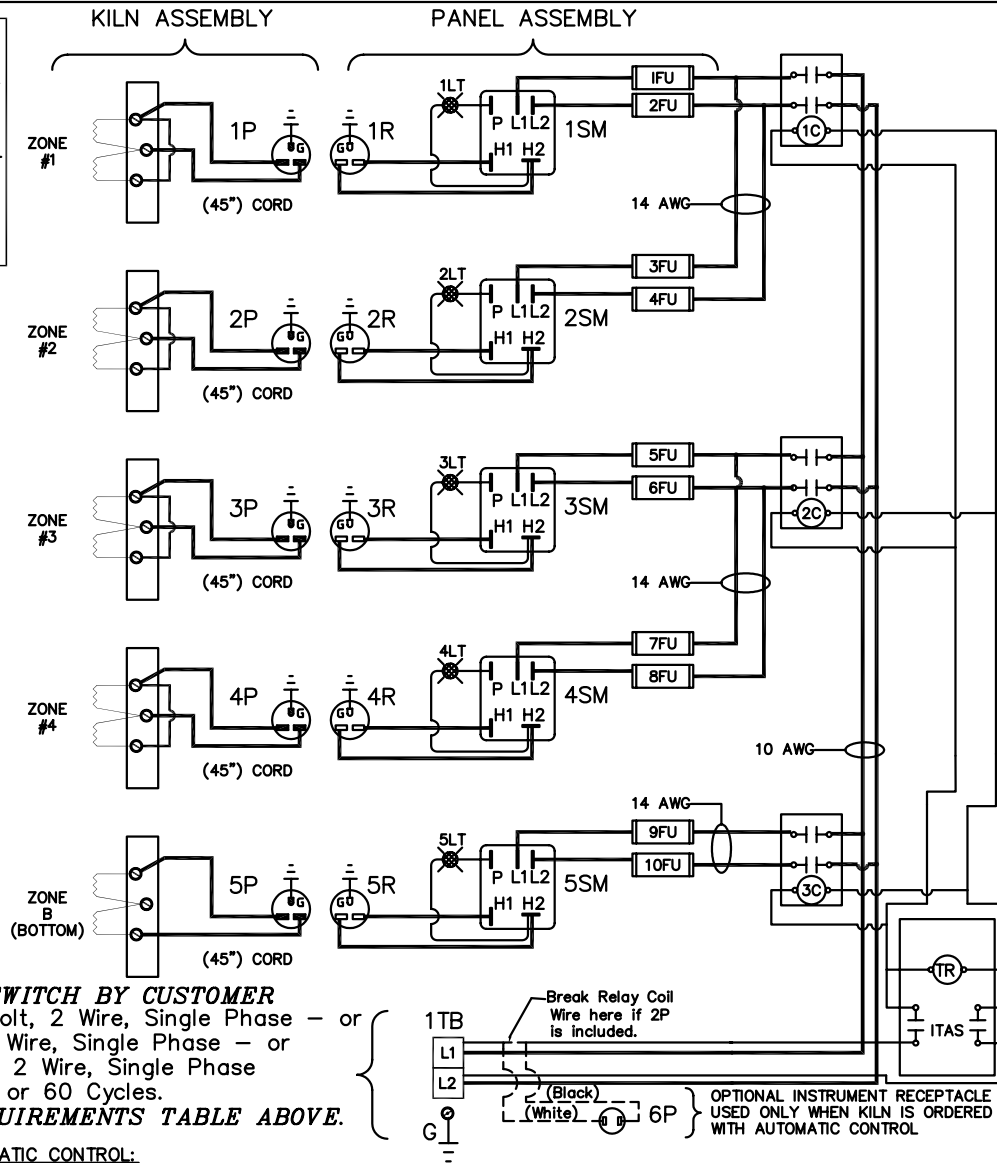
Contact Factory for information on adding 6P if not already included, and ordering and installing a separate Control System which plugs into 6P, and also has its own 115 Volt power cord.

NOTES:

Power wiring to Relays is 10 AWG, SEWF-2. All other control & power wiring is No. 14 AWG, SEWF-2.

Industrial & commercial applications may require the installation of a LOCKOUT/TAGOUT device to prevent the Kiln from operating during maintenance.

This Kiln is recommended to be wired & connected to an approved U. L. & NEC configured receptacle and properly fused according to the KW load specification listed on the Kiln Nameplate. L&L Kiln Mfg., Inc., also recommends fuses rather than circuit breakers to prevent nuisance tripping.



J23-PB POWER REQUIREMENTS	
208 VOLTS	1 PHASE
50-60 HZ	7.6 KW
36.6 AMPS	50 A Class H FUSES
220 VOLTS	1 PHASE
50-60 HZ	8.1 KW
36.6 AMPS	50 A Class H FUSES
240 VOLTS	1 PHASE
50-60 HZ	8.8 KW
36.6 AMPS	50 A Class H FUSES
J230-PB POWER REQUIREMENTS	
208 VOLTS	1 PHASE
50-60 HZ	10.7 KW
51.3 AMPS	70 A Class H FUSES
220 VOLTS	1 PHASE
50-60 HZ	11.3 KW
51.3 AMPS	70 A Class H FUSES
240 VOLTS	1 PHASE
50-60 HZ	12.4 KW
51.3 AMPS	70 A Class H FUSES
J236-PB POWER REQUIREMENTS	
208 VOLTS	1 PHASE
50-60 HZ	13.7 KW
65.9 AMPS	90 A Class H FUSES
220 VOLTS	1 PHASE
50-60 HZ	14.5 KW
65.9 AMPS	90 A Class H FUSES
240 VOLTS	1 PHASE
50-60 HZ	15.8 KW
65.9 AMPS	90 A Class H FUSES

ELECTRICAL PARTS LIST

SYMBOL	QTY	DESCRIPTION	SHOP PART NO.	CUSTOMER PART NO.
1TB	1	POWER CONNECTION BOARD	E-TER-2X6095-A1	L-J-PB29/01
1TAS	1	DAWSON KILN SITTER W/ TIMER	T-DAW-LT3240-A1	N-G-LT30/00
1TAS	1 (OPT)	50Hz DAWSON KILN SITTER W/ TIM	T-DAW-LT3240-A2	N-G-LT30/50
C	3 (240)	POWER CONTACTORS	E-CNT-D02521-A1	L-G-RL30/30
C	3 (208)	POWER CONTACTORS	E-CNT-D02521-A2	L-G-RL30/20
SM	5 (240)	INPUT ZONE SWITCHES	E-INF-240XXX-A1	L-J-INFO/30
SM	5 (208)	INPUT ZONE SWITCHES	E-INF-208XXX-A1	L-J-INFO/20
LT	5	INPUT ZONE PILOT LIGHTS	E-PIL-SR250V-A1	L-G-PILO/00
FU	10	ELEMENT FUSES	E-FUS-BN2030-A1	L-G-FS30/00
FUB	10	ELEMENT FUSE HOLDERS	E-FUB-HPF630-A1	L-G-FSPB/30
R	1	SINGLE RECEPTACLE NEMA 6-20R	E-REC-S20250-A1	L-J-SR20/00
R	2	DUPLEX RECEPTACLE NEMA 6-20R	E-REC-D20250-A1	L-J-DR20/00
P	VARIABLES	45" PLUGS NEMA 6-20P	E-CRD-345020-A1	L-J-JC45/00
H	9-15 (240)	240 Volt HEATING ELEMENTS	.	E-J-2300/30
H	9-15 (208)	208 Volt HEATING ELEMENTS	.	E-J-2300/20
H	9-15 (220)	220 Volt HEATING ELEMENTS	.	E-J-2300/40
6P	1 (opt)	INSTRUMENT RECEPTACLE	E-CNE-S302RP-A1	L-G-JNFM/00

B 11/16/08 UPDATED LOGO, ADDRESS, TITLE BLOCK, & BORDER
 A 7/16/98 CHG'D 15 AMP CRDS-20 AMP; 10 AWG WIRE TO RELAYS;
 CHG'D ZONE NO.S
 0 2/24/97 ISSUED AS REV 0 - NO CHANGES FROM REV P
 REV# DATE REVISION DESCRIPTION

L&L Kilns
 hotkilns.com
 505 SHARPTOWN ROAD
 SWEDENBORO, NJ 08085
 PHONE: (856) 294-0077
 FAX: (856) 294-0070

TITLE ECONO KILN WIRING DIAGRAM
MODELS J23-PB, J230-PB, & J236-PB
 Complete w/ Dawson Kiln Sitter-Powered Bottom
 208 or 220 or 240 Volts / 1 Phase

DRAWN BY J.E.M. **REV. CODE** B **DRAWING NO.** K038-102
DATE 1/22/97 **SCALE** 1 = 8
CHK **APP**
JOB NO. STANDARD **SER NO.** **SHEET NO.** | OF |

FILE NAME L:\NEW\KILN\SERIES
 K038-100.dwg **MADE FROM**
 K020-100.dwg