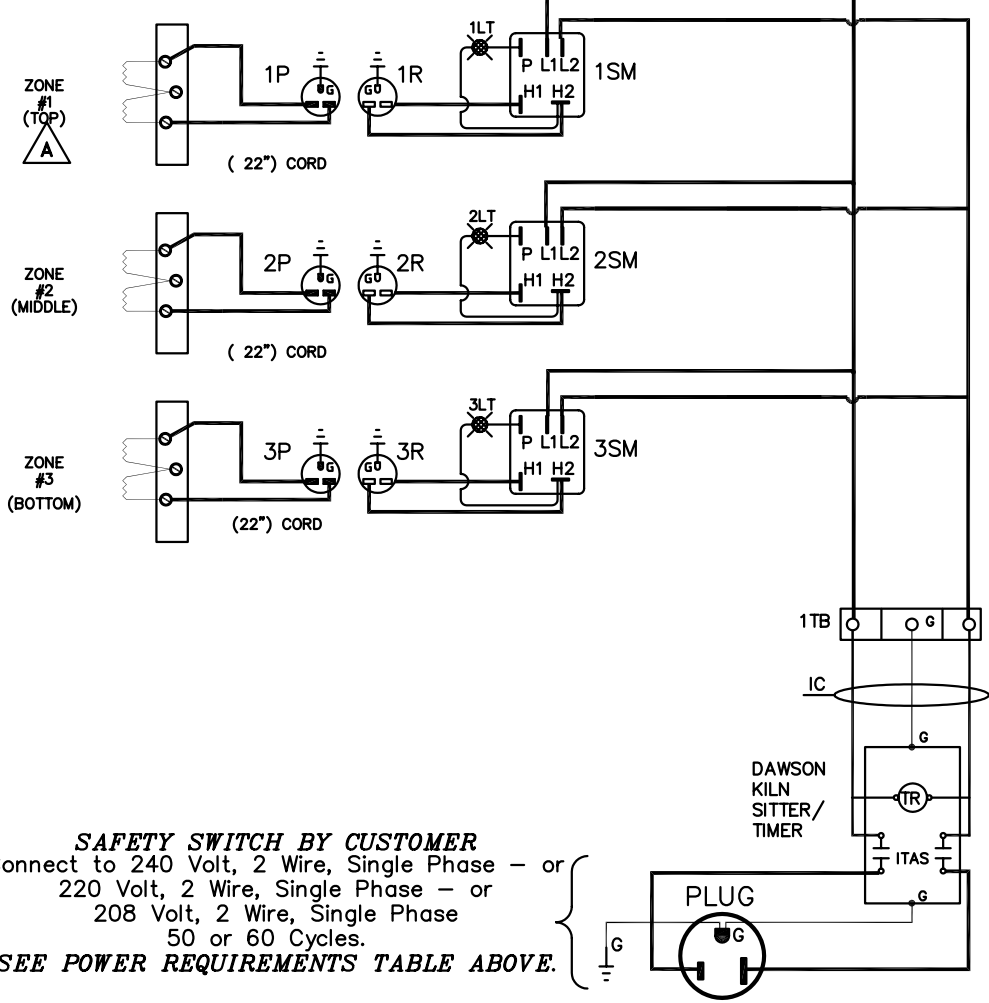


KILN ASSEMBLY

PANEL ASSEMBLY



J18-X REQUIREMENTS	
208 VOLTS	1 PHASE
50-60 HZ	5.5 KW
26.5 AMPS	30 A Class H FUSES
220 VOLTS	1 PHASE
50-60 HZ	8.3 KW
39.8 AMPS	50 A Class H FUSES
220 VOLTS	1 PHASE
50-60 HZ	8.3 KW
37.6 AMPS	50 A Class H FUSES
240 VOLTS	1 PHASE
50-60 HZ	8.3 KW
34.5 AMPS	50 A Class H FUSES

J18 POWER REQUIREMENTS	
208 VOLTS	1 PHASE
50-60 HZ	5.5 KW
26.5 AMPS	30 A Class H FUSES
220 VOLTS	1 PHASE
50-60 HZ	5.5 KW
25.1 AMPS	30 A Class H FUSES
240 VOLTS	1 PHASE
50-60 HZ	5.5 KW
23.0 AMPS	30 A Class H FUSES
J18-R REQUIREMENTS	
208 VOLTS	1 PHASE
50-60 HZ	7.26 KW
34.9 AMPS	50 A Class H FUSES
220 VOLTS	1 PHASE
50-60 HZ	7.26 KW
33.0 AMPS	40 A Class H FUSES
240 VOLTS	1 PHASE
50-60 HZ	7.26 KW
30.3 AMPS	40 A Class H FUSES

SAFETY SWITCH BY CUSTOMER
 Connect to 240 Volt, 2 Wire, Single Phase - or
 220 Volt, 2 Wire, Single Phase - or
 208 Volt, 2 Wire, Single Phase
 50 or 60 Cycles.
SEE POWER REQUIREMENTS TABLE ABOVE.

TO CONVERT TO AUTOMATIC CONTROL:
 Contact Factory for information on ordering and installing
 a separate Control System, which has a power receptacle
 into which you can plug the Kiln.

NOTES:

All control & power wiring is No. 14 AWG, SEWF-2.
 Industrial & commercial applications may require the installation
 of a LOCKOUT/TAGOUT device to prevent the Kiln from operating
 during maintenance.

This Kiln is recommended to be wired & connected to an approved
 U. L. & NEC configured receptacle and properly fused according to
 the KW load specification listed on the Kiln Nameplate.
 L&L Kiln Mfg., Inc., also recommends fuses rather than circuit
 breakers to prevent nuisance tripping.

MODEL J18 =
 ZONES 1 THRU 2
 2 - 9" RINGS
MODEL J18-R =
 ZONES 1 THRU 3
 1 - 6 1/2" RING
 2 - 9" RINGS
MODEL J18-X =
 ZONES 1 THRU 3
 3 - 9" RING

ELECTRICAL PARTS LIST

SYMBOL	QTY	DESCRIPTION	SHOP PART NO.	CUSTOMER PART NO.
PLUG	1	72" POWER PLUG, NEMA 6-50P	E-CRD-372050-A1	L-G-PC50/72
1TB	1	TERMINAL BOARD	L-J-PB00/01	
1TAS	1	DAWSON KILN SITTER W/ TIMER	T-DAW-LT3240-A1	N-G-LT30/00
1TAS	1 (OPT)	50Hz DAWSON KILN SITTER W/ TIM	T-DAW-LT3240-A2	N-G-LT30/50
SM (240)	3	INPUT ZONE SWITCHES	E-INF-240XXX-A1	L-J-INFO/30
SM (208)	3	INPUT ZONE SWITCHES	E-INF-208XXX-A1	L-J-INFO/20
LT	3	INPUT ZONE PILOT LIGHTS	E-PIL-SR250V-A1	L-G-PILO/00
IC	1	INTERCONNECT CORD	E-CRD-328050-A1	L-G-INCD/00
R	1	SINGLE RECEPTACLE NEMA 6-15R	E-REC-S15250-A1	L-J-SR15/00
R	1	DUPLX RECEPTACLES NEMA 6-15R	E-REC-D15250-A1	L-J-DR00/00
P	VARIABLES	22" PLUGS NEMA 6-15P	E-CRD-322015-A1	L-J-JC00/00
H (240)	4-6	240 Volt HEATING ELEMENTS		E-J-1800/30
H (208)	4-6	208 Volt HEATING ELEMENTS		E-J-1800/20
H (220)	4-6	220 Volt HEATING ELEMENTS		E-J-1800/40

REV#	DATE	REVISION DESCRIPTION
B	11/13/09	UPDATED LOGO, ADDRESS, TITLE BLOCK, & BORDER
A	8/25/98	CHG'D ZONE NO.S TO TOP THRU BOT.
0	2/24/97	ISSUED AS REV 0 - NO CHANGES FROM REV P

L&L Kilns
 hotkilns.com
 505 SHARPTOWN ROAD
 SWEDESBORO, NJ 08085
 PHONE: (856) 294-0077
 FAX: (856) 294-0070

TITLE **ECONO KILN WIRING DIAGRAM**
MODELS J18, J18-R, & J18-X
 Complete with Dawson Kiln Sitter
 208 or 220 or 240 Volts / 1 Phase

DRAWN BY	REV. CODE	DRAWING NO.
J.E.M.	B	K028-101
DATE	SCALE	
1/22/97	1 = 8	
CHK	APP	
JOB NO	STANDARD	SER NO
FILE NAME	MADE FROM	
L:\NEW\LKILN\USERIES	J-18-1, J-18RX-1 (Manual L&L Mfg. Dwg)	
K028-100.dwg		