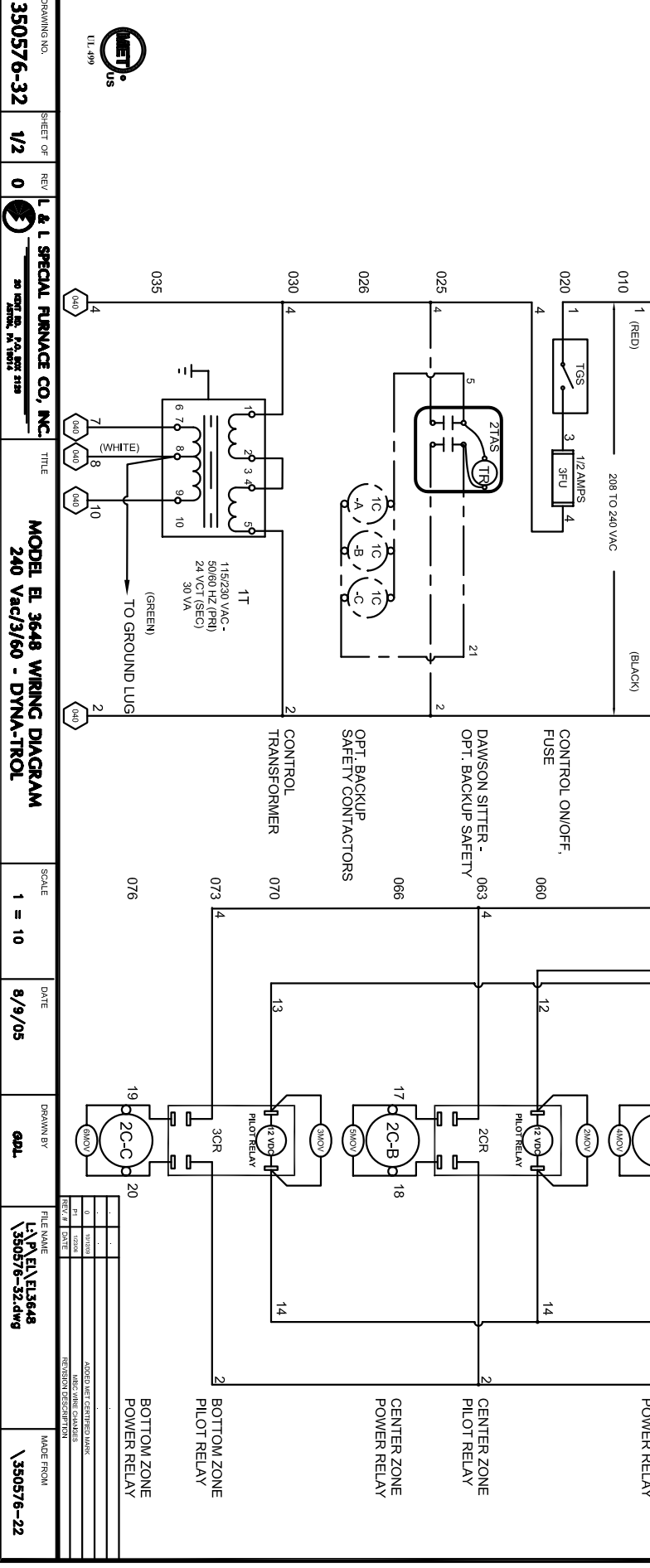
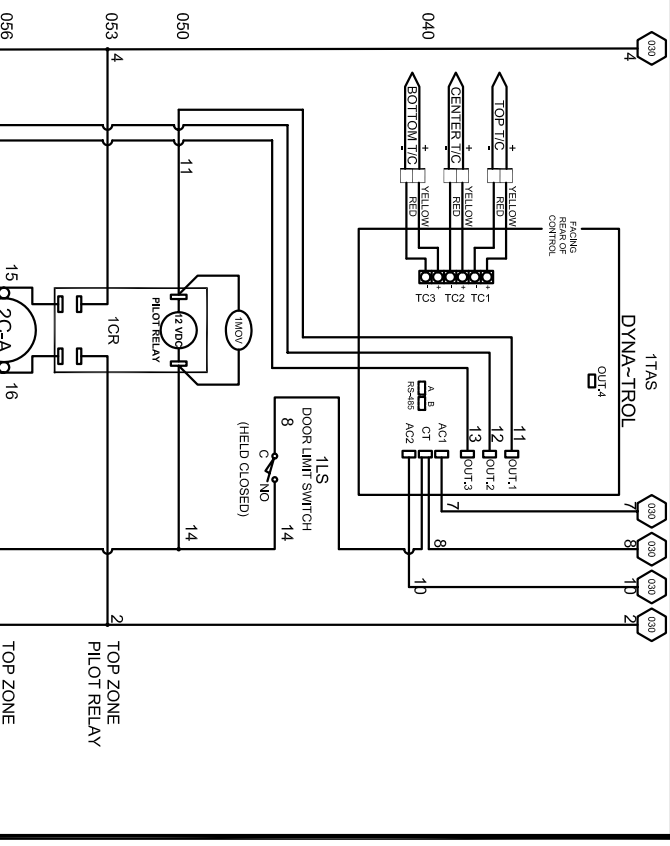
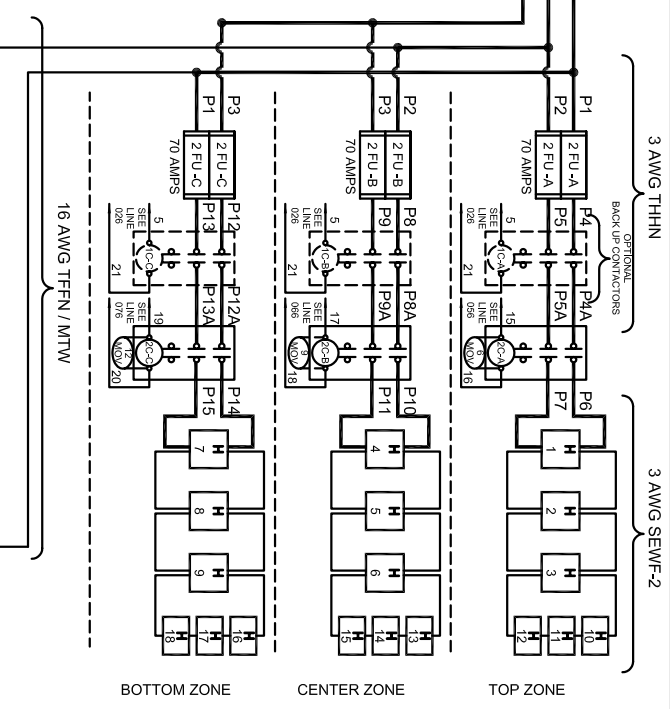
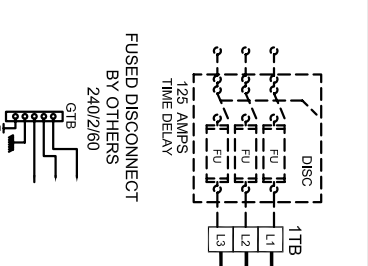


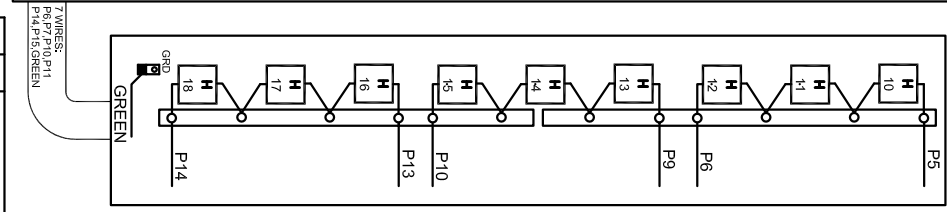
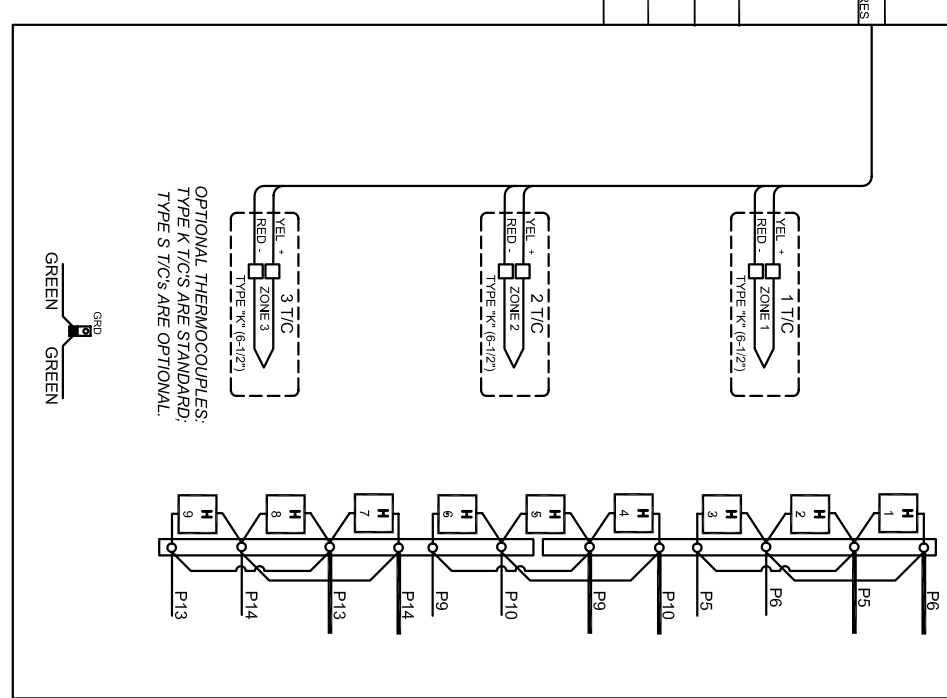
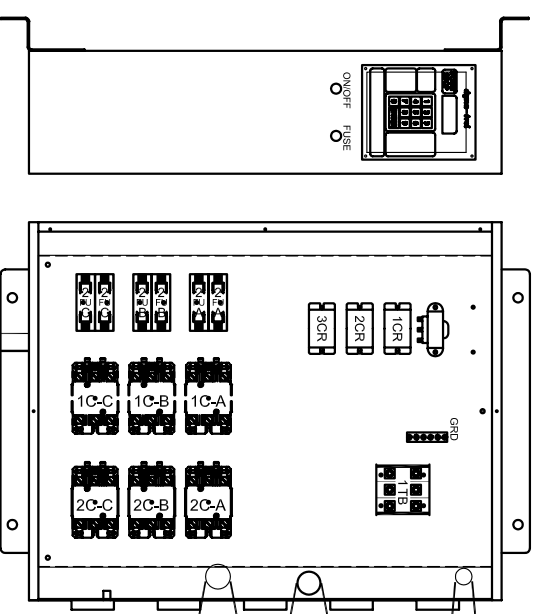
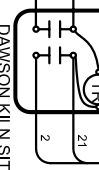
POWER REQUIREMENTS			
VOLTAGE	240 / 3 / 60		
KW	40		
H.P.	N/A		
FULL LOAD AMPS	L1	L2	L3
	97	97	97

SAFETY SWITCH BY CUSTOMER
 Connect to 240 Volt, 3 Phase
 50 or 60 Cycles.
SEE POWER REQUIREMENT TABLE





UL 499



- NOTES**
- 1) All electrical feeders & equipment will be supplied & installed by the customer. Meeting requirements set by the local & national electrical code standards. L & L recommends any such installation be approved by a certified electrical inspector.
 - 2) For kilns not equipped with a fused safety disconnect switch, L & L recommends the customer to install such equipment within 6 feet of operating furnace.
 - 3) Industrial & commercial applications may require the installation of a LOCKOUT/TAGOUT device to meet safety & maintenance requirements.
 - 6) Wire gauge and insulation of Power Wires and Control Circuit Wires are as marked.
 - 7) Power Wire Color is Black, and wires are numbered as marked.
 - 8) Control Circuit Wires are numbered as marked, and colors are:
 RED = 1, 3, 6, 8, 11, 13, 15, 17.
 BLACK = 2, 14, 16, 18, 19.
 WHITE = 7, 12.
 GREEN = GROUNDING AND BONDING WIRES.

DRAWING NO.	SHEET OF	REV.	TITLE	SCALE	DATE	DRAWN BY	FILE NAME	MADE FROM
350576-32	2/2	0	MODEL B. 3648 WIRING DIAGRAM 240 Vac/3/60 - DYNA-TROL	1 = 10	8/9/05	gdl	L:\P\EL\3648 350576-32.dwg	\350576-22

APPROVED FOR CONSTRUCTION	DATE
REVISION DESCRIPTION	DATE

AWB:MET/EL/3648
 HKS:WMS/CH/3648
 REVISION DESCRIPTION