

SAFETY SWITCH BY CUSTOMER
 Connect to 480 Volt, 3 Phase
 50 or 60 Cycles.
SEE POWER REQUIREMENT TABLE

POWER REQUIREMENTS			
VOLTAGE	480/3/60		
H.P.	31.5		
FULL LOAD AMPS	L1	L2	L3
	39	39	38

DRAWING NO. **350574-62**

SHEET OF **1/2**



REV. **0**

L & L SPECIAL FURNACE CO. NC.
 MODEL **E1 3048** WIRING DIAGRAM
480 Vac/3/60 - DYNA-TROL

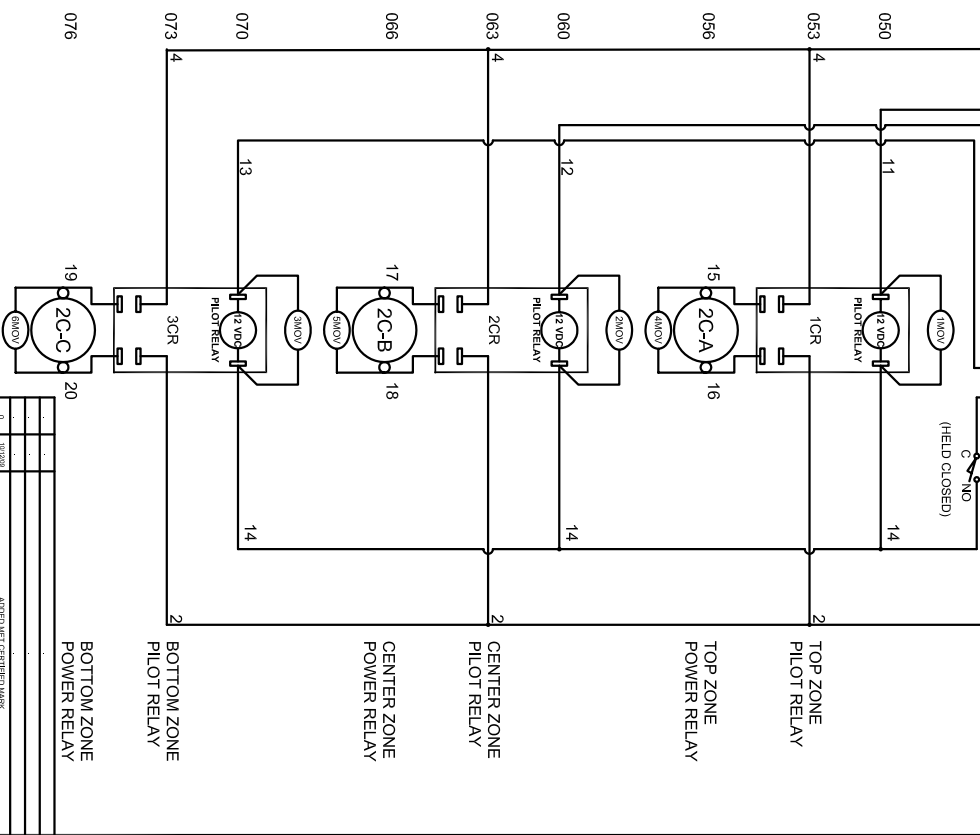
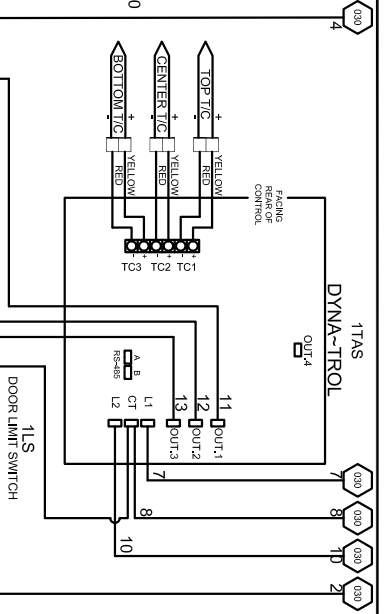
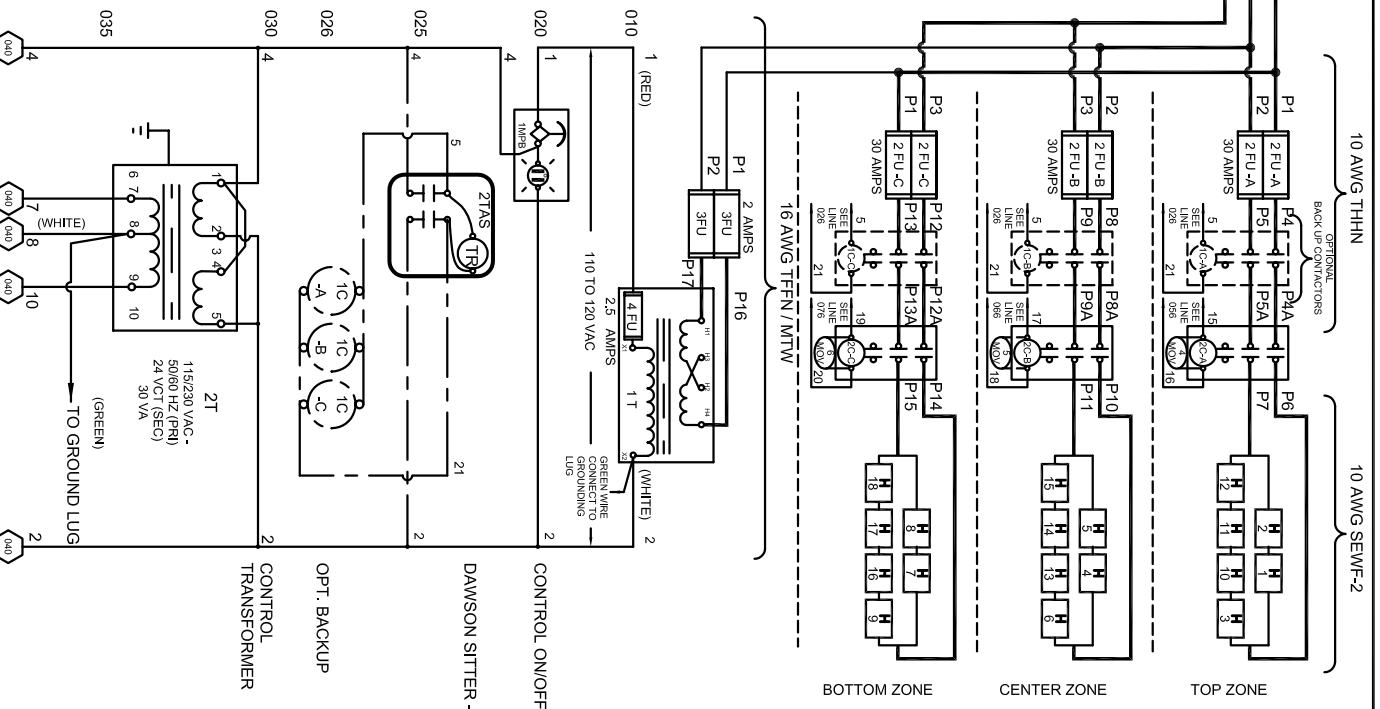
SCALE **1 = 10**

DATE **1/18/06**

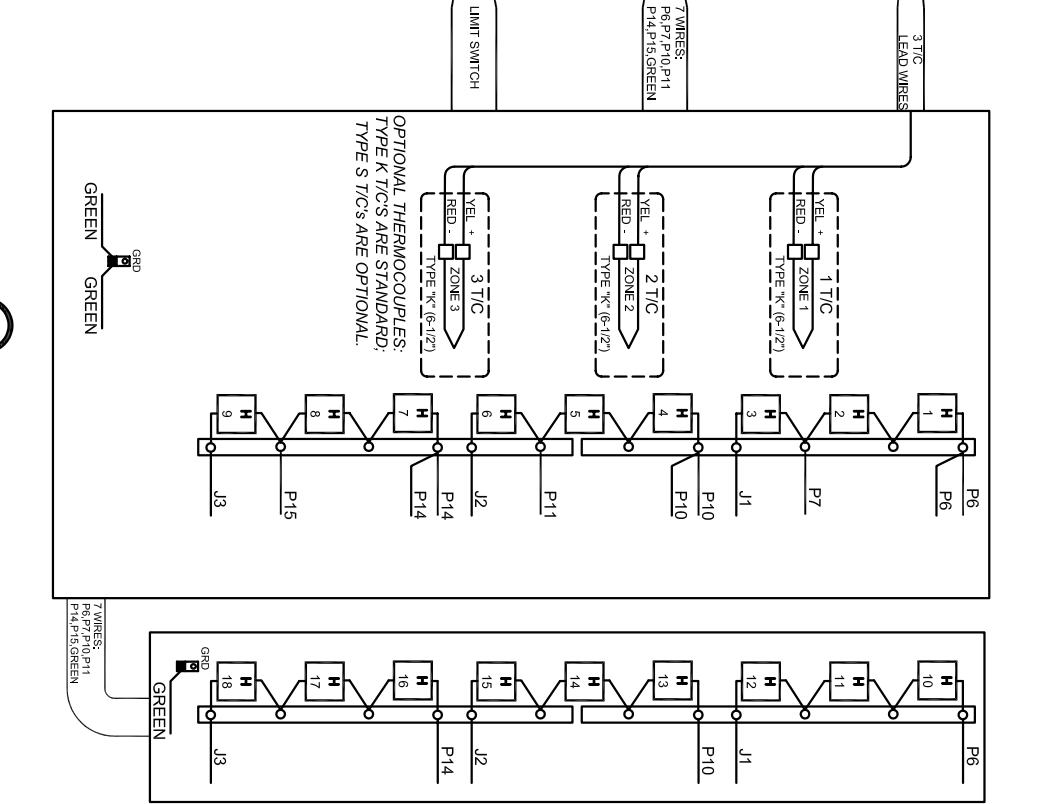
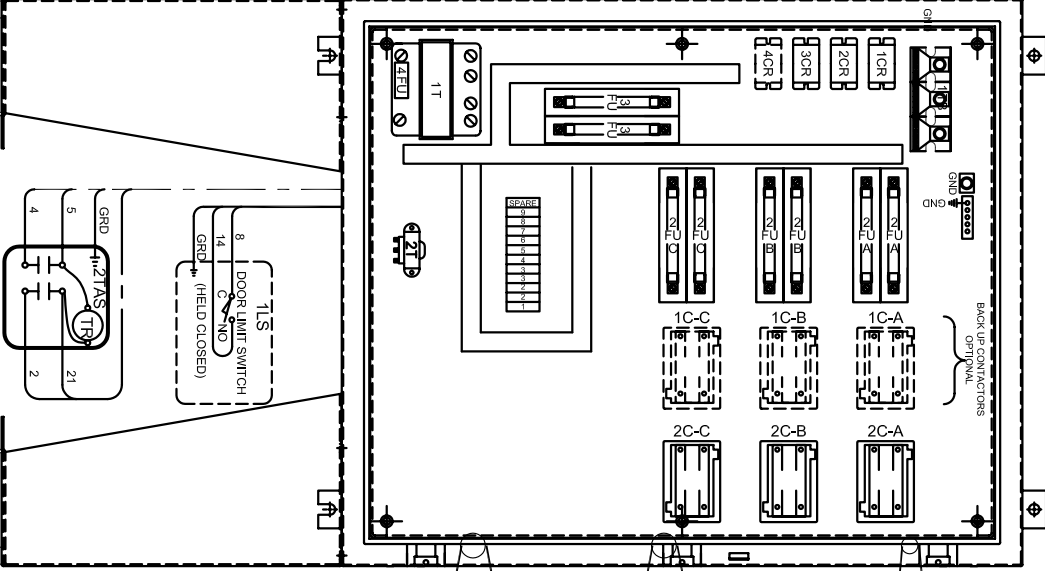
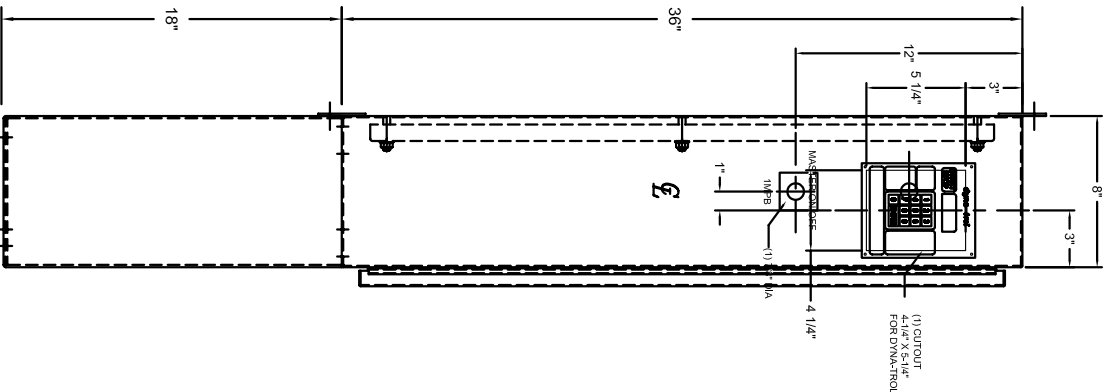
DRAWN BY **RLC**

FILE NAME
L:\P\EL\3048
350574-62.dwg

MADE FROM
\350574-22



REV.#	DATE	APPROVED	REVISION DESCRIPTION
0			



NOTES:
 1) All electrical feeders & equipment will be supplied & installed by the customer. L & L recommends any such installation be approved by a certified electrical inspector.
 2) For Kilns not equipped with a fused safety disconnect switch, L & L recommends the customer to install such equipment within 10 feet of operating terminals.
 3) Industrial & commercial applications may require the installation of a LOCKOUT/TAGOUT device to meet safety & maintenance requirements.
 4) Wire gauge and insulation of Power Wires and Control Cables Wires are as marked.
 5) Wire gauge and insulation of Power Wires and Control Cables Wires are as marked.
 6) Color RED = 1, 3, 6, 8, 11
 7) Power Wire Color is Black, and wires are numbered as marked.
 8) Color RED = 1, 3, 6, 8, 11
 9) Color GREEN = 2, 12
 10) Color GREEN = GROUNDING AND BONDING WIRES.

OPTIONAL THERMOCOUPLES:
 TYPE K T/C'S ARE STANDARD.
 TYPE S T/C'S ARE OPTIONAL.

DRAWING NO.	350574-62	SHEET OF	2/2	REV	0	L & L SPECIAL FURNACE CO. INC.	TITLE	MODEL E1 3048 WIRING DIAGRAM	SCALE	1 = 10	DATE	1/18/06	DRAWN BY	RLC	FILE NAME	L:\P\EL\3048	MADE FROM	\350574-22
	350574-62		2/2		0			MODEL E1 3048 WIRING DIAGRAM		1 = 10		1/18/06		RLC		L:\P\EL\3048		\350574-22

30 DAY RETURN POLICY
 90 DAY RETURN POLICY

APPROVED FOR CONSTRUCTION

REVISION DESCRIPTION